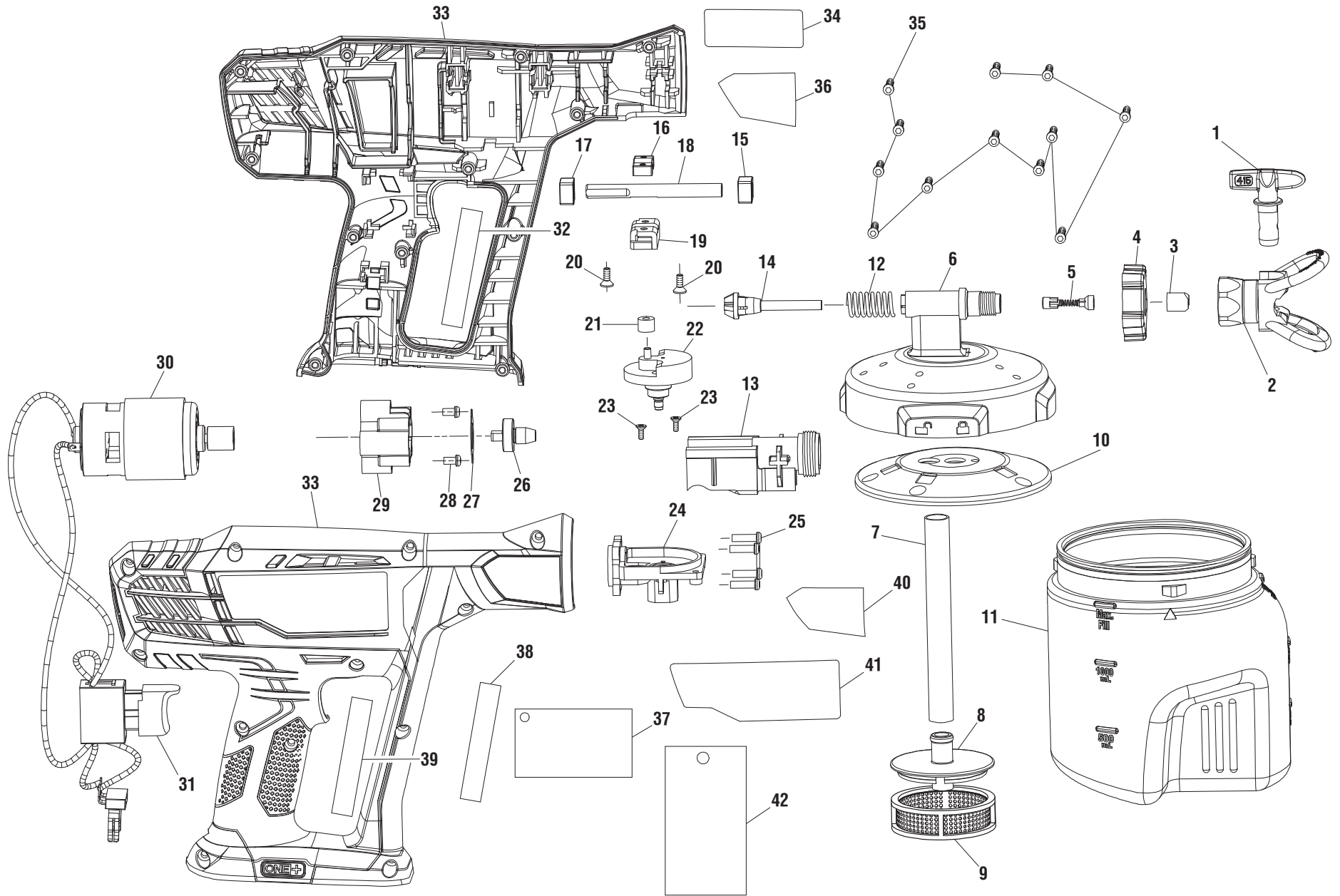


RYOBI POWER PAINT SPRAYER TOOL - MODEL NUMBER P650K



RYOBI POWER PAINT SPRAYER TOOL – MODEL NUMBER P650K

The model number will be found on a label attached to the housing assembly. Always mention the model number in all correspondence regarding your **POWER PAINT SPRAYER TOOL** or when ordering parts.

PARTS LIST

| KEY NO. | PART NUMBER | DESCRIPTION | QTY | KEY NO. | PART NUMBER | DESCRIPTION | QTY |
|---------|-------------|--|-----|-------------------|----------------------------|--|-----|
| 1 | 305240001 | Reversible Nozzle..... | 1 | 27 | 633664001 | Washer (Special)..... | 1 |
| 2 | 304759002 | Reversible Tip Guard Assembly..... | 1 | 28 | 660212005 | Screw (M4 x 8 Mm, Pan Hd.)..... | 2 |
| 3 | 673062002 | Adaptor (2.06 mm)..... | 1 | 29 | 522742002 | Motor Mounting..... | 1 |
| 4 | 523752001 | Locking Nut..... | 1 | 30 | 201962001 | Motor and Transmission Shaft Assembly..... | 1 |
| 5 | 303265002 | Swirl Valve Assembly..... | 2 | 31 | 206023001 | Switch Assembly..... | 1 |
| 6 | 303221008 | Pump Housing Assembly..... | 1 | 32 | 940221191 | Warning Label (French)..... | 1 |
| 7 | 562549002 | Painter Hose (OD15 x ID12)..... | 1 | 33 | 200163036 | Housing Assembly..... | 1 |
| 8 | 521788001 | Suction Tube..... | 1 | 34 | 940304497 | Logo Label..... | 1 |
| 9 | 521789001 | Suction Mesh Set..... | 1 | 35 | 660024044 | Screw (M4 x 16 mm, Pan Hd.)..... | 12 |
| 10 | 522538001 | Foam Pad Seal..... | 1 | 36 | 940533077 | Reversible Tip Label (Left)..... | 1 |
| 11 | 521776001 | Container (1.5 Qt. Container)..... | 1 | 37 | 961007022 | Warning Hang Tag..... | 1 |
| 12 | 692331001 | Spring..... | 1 | 38 | 940221100 | Warning Label (English)..... | 1 |
| 13 | 523746001 | Pump Housing Holder..... | 1 | 39 | 940221114 | Warning Label (Spanish)..... | 1 |
| 14 | 303233006 | Piston Assembly..... | 1 | 40 | 940533078 | Reversible Tip Label (Right)..... | 1 |
| 15 | 681261001 | Front Sleeve..... | 1 | 41 | 940488394 | Data Label..... | 1 |
| 16 | 610766001 | Cover Plate..... | 1 | 42 | 961008034 | Ryobi Hang Tag..... | 1 |
| 17 | 681261002 | Rear Sleeve..... | 1 | Not Shown: | | | |
| 18 | 673060001 | Spindle..... | 1 | 130429021 | Battery Pack (Li-ion)..... | 1 | |
| 19 | 632475002 | Slide Bracket..... | 1 | 140173004 | Charger..... | 1 | |
| 20 | 661065001 | Screw (M3.5 x 10 mm, Torx T-15)..... | 2 | 902332001 | Lubricant..... | 1 | |
| 21 | 300019005 | Bushing Assembly w/Needle Bearing..... | 1 | 902355002 | Tool Bag..... | 1 | |
| 22 | 304865001 | Gear Box Assembly..... | 1 | 303263001 | Cleaning Brush..... | 1 | |
| 23 | 660228016 | Screw (M3 x 8 mm)..... | 2 | 988000796 | Operator's Manual | | |
| 24 | 304992001 | Gear Housing Assembly..... | 1 | 2-20-13 | (Rev:04) | | |
| 25 | 660206041 | Screw (M3.5 x 14 mm, Pan Hd.)..... | 4 | | | | |
| 26 | 304991001 | Bevel Pinion Assembly..... | 1 | | | | |