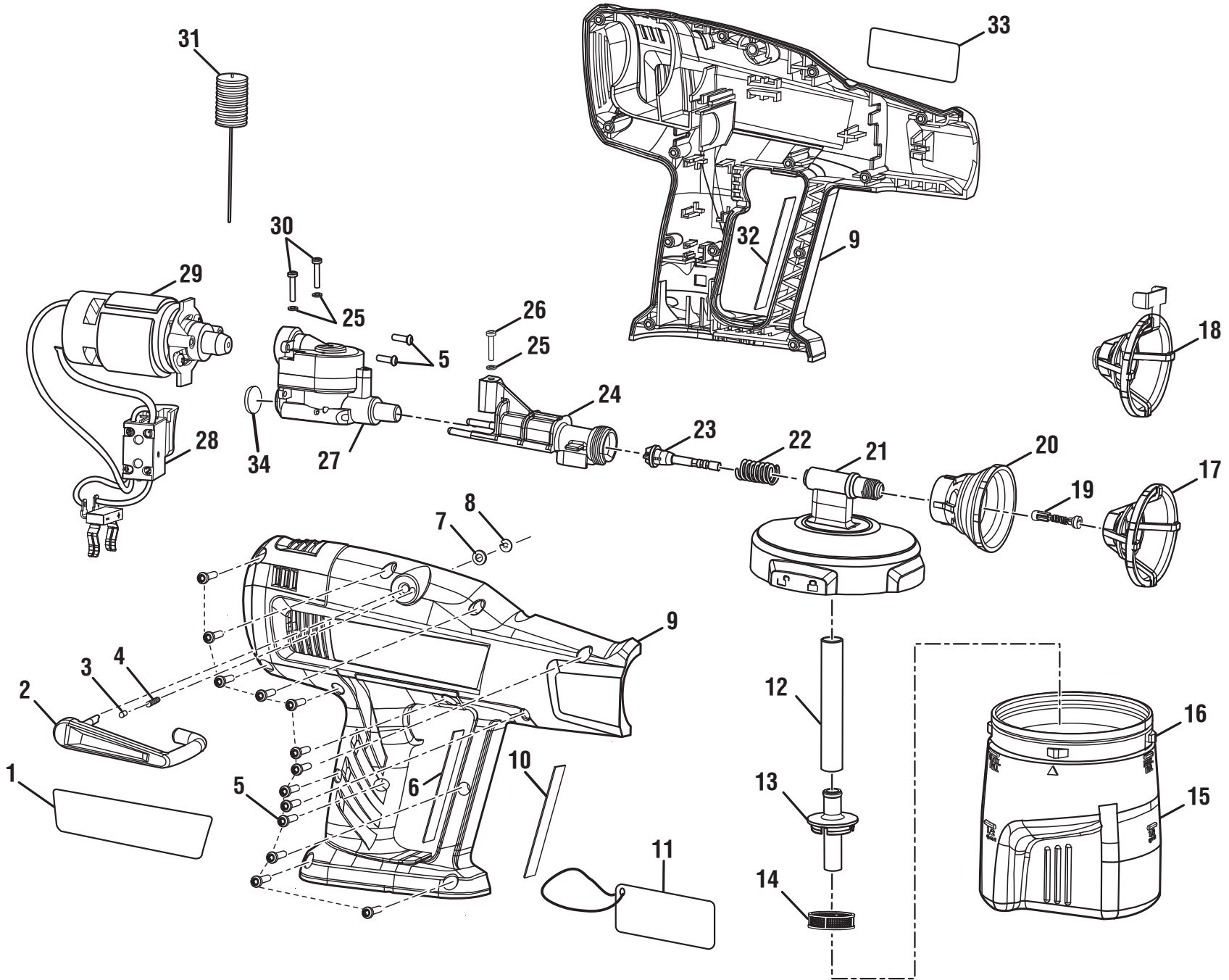


RYOBI POWER PAINT SPRAYER TOOL - MODEL NUMBER P631



RYOBI POWER PAINT SPRAYER TOOL – MODEL NUMBER P631

The model number will be found on a label attached to the housing assembly. Always mention the model number in all correspondence regarding your **POWER PAINT SPRAYER TOOL** or when ordering parts.

PARTS LIST

KEY NO.	PART NUMBER	DESCRIPTION	QTY	KEY NO.	PART NUMBER	DESCRIPTION	QTY
1	940032126	Data/Warning Label.....	1	23	303233002	Piston Assembly.....	1
2	303428002	Hook Assembly	1	24	519454001	Pump Housing Holder.....	1
3	672324001	Location Pin	1	25	670030009	Washer (OD7.2 x ID4.1 x 1t).....	3
4	692333001	Compression Spring	1	26	660414008	Screw (M4 x 16 mm, T-20 Torx Pan Hd.).....	1
5	660024044	Screw (M4 x 16 mm)	15	27	220110002	Gear Box Assembly.....	1
6	940221100	Warning Label (English).....	1	28	200300041	Switch Assembly.....	1
7	680611001	Washer (OD8 x ID5.2 x 1.2t).....	1	29	230275002	Motor & Pinion Assembly.....	1
8	692350001	Retaining Ring.....	1	30	660414014	Screw (M4 x 20 mm)	2
9	201102002	Housing Assembly	1	31	303263001	Cleaning Brush Assembly	1
10	940221114	Warning Label (Spanish)	1	32	940221113	Warning Label (French)	1
11	961007022	Hang Tag	1	33	940304770	Logo Label	1
12	560148001	Paint Hose.....	1	34	902277001	Felt Seal	1
13	519440001	Suction Tube	1	Not Shown:			
14	519441001	Filter	1		130429008	Battery Pack (Li-ion).....	1
15	201144001	Quick-Lock Container (1 Qt.)	1		140151001	Charger.....	1
16	560159001	O-Ring	1		902332001	Lubricant	1
17	303262002	Spray Round Tip Assembly.....	1		902355002	Tool Bag	1
18	303970003	Spray Wide Angle Tip Assembly	1		987000903	Quick Start Guide.....	1
19	303265001	Atomizer Valve Assembly	1		987000902	Operator's Manual	
20	519459001	Locking Nut.....	1		9-27-11 (Rev:06)		
21	303221002	Pump Housing Assembly.....	1				
22	692331001	Compression Spring	1				