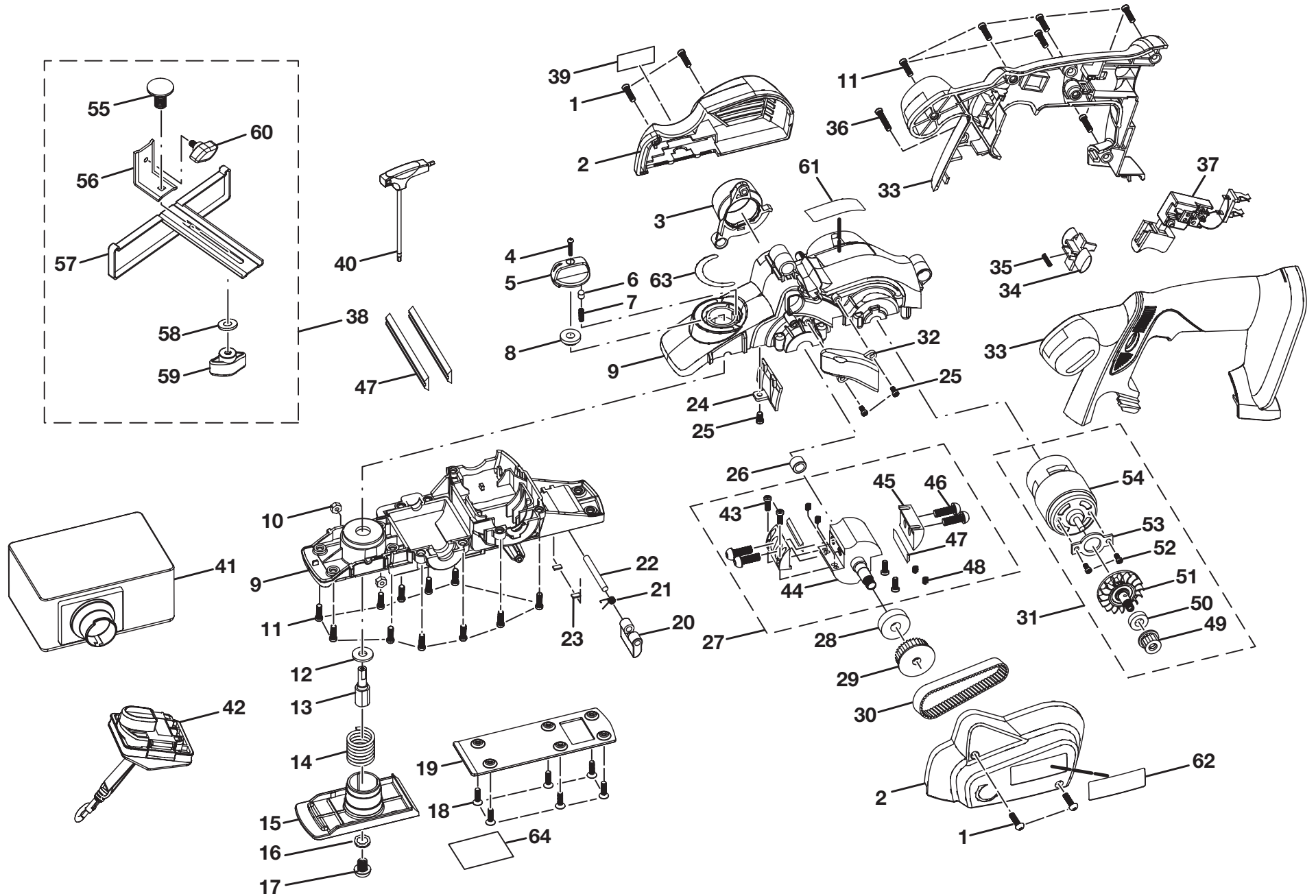


RYOBI 18 VOLT PLANER - MODEL NUMBER P610



RYOBI 18 VOLT PLANER – MODEL NUMBER P610

The model number will be found on a plate attached to the motor housing. Always mention the model number in all correspondence regarding your **PLANER** or when ordering repair parts.

PARTS LIST

KEY NO.	PART NUMBER	DESCRIPTION	QTY	KEY NO.	PART NUMBER	DESCRIPTION	QTY
1	6620606	* SCREW (M3.5 X 16 mm).....	4	18	660279007	* SCREW (M4 X 16 mm).....	6
2	200392002	MOTOR COVER AND BELT COVER.....	1	19	631423001	REAR SHOE	1
3	513570002	CHIP EJECTMENT.....	1	20	513575002	KICK STAND	1
4	660206018	* SCREW (M3.5 X 15 mm PAN HD.).....	1	21	671889001	SPRING (Ø0.5 mm).....	1
5	514506001	DEPTH ADJUST KNOB	1	22	671888001	HINGE PIN (Ø0.5 mm)	1
6	690541001	COPPER CAP	1	23	513679001	FOAM RUBBER	2
7	690542001	SPRING.....	1	24	513572002	CHIP GUIDE	1
8	513702001	WASHER.....	1	25	660206025	* SCREW (M3.5 X 10 mm).....	3
9	200078027	HOUSING ASSEMBLY	1	26	680727001	BEARING NEEDLE	1
10	670970001	NUT (M5).....	2	27	300132026	BLADE ASSEMBLY	1
11	6620805	* SCREW (M4 X 16 mm PAN HD.).....	17	28	6807001	BALL BEARING (6000ZZ)	1
12	631501001	WASHER (ID7.2 mm)	1	29	610497001	DRIVEN PULLEY.....	1
13	620416001	DEPTH ADJUST SHAFT	1	30	570279002	BELT.....	1
14	671799001	SPRING.....	1	31	230130001	MOTOR ASSEMBLY	1
15	641133001	FRONT SHOE	1	32	513571002	WIND COVER	1
16	6990301	WAVY WASHER.....	1	33	200073013	HANDLE ASSEMBLY	1
17	660811001	* SCREW (M8 X 9 mm HEX SOC.).....	1	34	513678001	SAFETY BUTTON	1

*** STANDARD HARDWARE ITEM – MAY BE PURCHASED LOCALLY**

RYOBI 18 VOLT PLANER – MODEL NUMBER P610

The model number will be found on a plate attached to the motor housing. Always mention the model number in all correspondence regarding your **PLANER** or when ordering repair parts.

PARTS LIST

KEY NO.	PART NUMBER	DESCRIPTION	QTY	KEY NO.	PART NUMBER	DESCRIPTION	QTY
35	6749901	SPRING.....	1	51	513600001	FAN W/SHAFT	1
36	6620812	* SCREW (M4 X 25 mm PAN HD.).....	1	52	660212023	* SCREW (M4 X 7.0 mm PAN HD.).....	2
37	270017086	SWITCH ASSEMBLY	1	53	631509001	MOTOR MOUNTING PLATE	1
38	300869008	EDGE GUIDE ASSEMBLY.....	1	54	740795001	MOTOR.....	1
39	940230148	WARNING LABEL	1	55	660142001	* CARRIAGE BOLT	1
40	690214004	* HEX KEY (5/32 in.)	1	56	690865003	ADJUSTING STEEL PLATE.....	1
41	300027057	DUST BAG ASSEMBLY	1	57	690866004	EDGE GUIDE PLATE.....	1
42	200292003	PLUG IN LANYARD	1	58	5228001	FLAT WASHER.....	1
43	660852001	* SCREW (M4 PAN HD.).....	4	59	540510007	KNOB NUT	1
44	641114001	BLADE BODY	1	60	540511008	KNOB BOLT.....	1
45	641113001	BLADE CLAMP	2	61	940115118	DATA LABEL	1
46	660169058	* SCREW (M6 X 16 mm HEX SOC. HD.).....	4	62	940114135	LOGO LABEL.....	1
47	671798001	STRAIGHT PLANER BLADE.....	4	63	940700005	SCALE LABEL	1
48	672001001	SPRING.....	4	64	940230147	WARNING LABEL (ON BASE)	1
49	610496001	DRIVE PULLEY	1		983000936	OPERATOR'S MANUAL (960223929)	
50	6872601	BALL BEARING (688Z)	1		983000936R	REPAIR SHEET (REV:00)	
					03-13-06		

*** STANDARD HARDWARE ITEM – MAY BE PURCHASED LOCALLY**