

RYOBI
18 VOLT BOLT CUTTER
MODEL NUMBER P592
REPAIR SHEET

ONE WORLD TECHNOLOGIES, INC.

1428 Pearman Dairy Road, Anderson, SC 29625

Phone 1-800-525-2579

www.ryobitools.com

RYOBI BOLT CUTTER – MODEL NUMBER P592

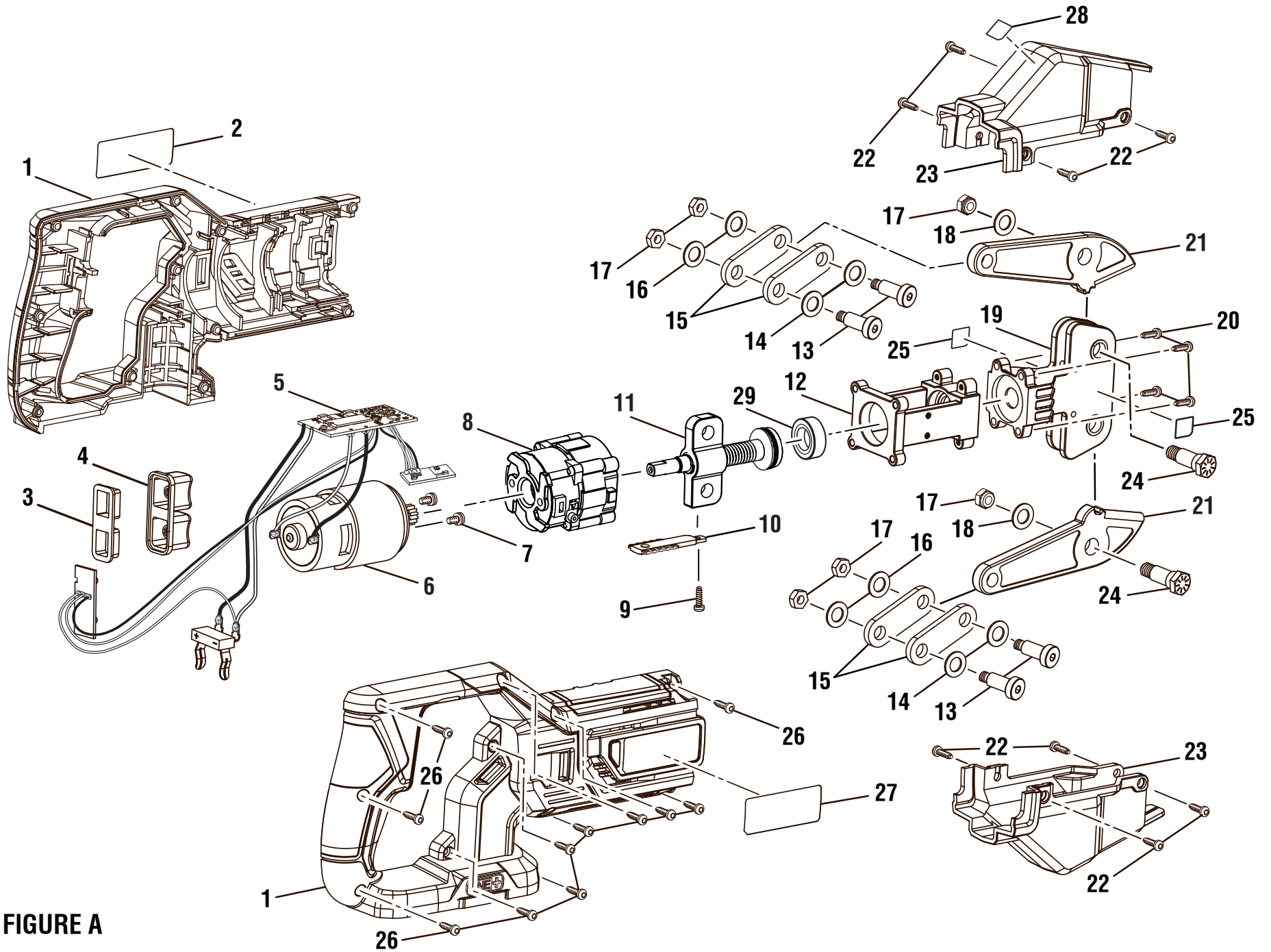


FIGURE A

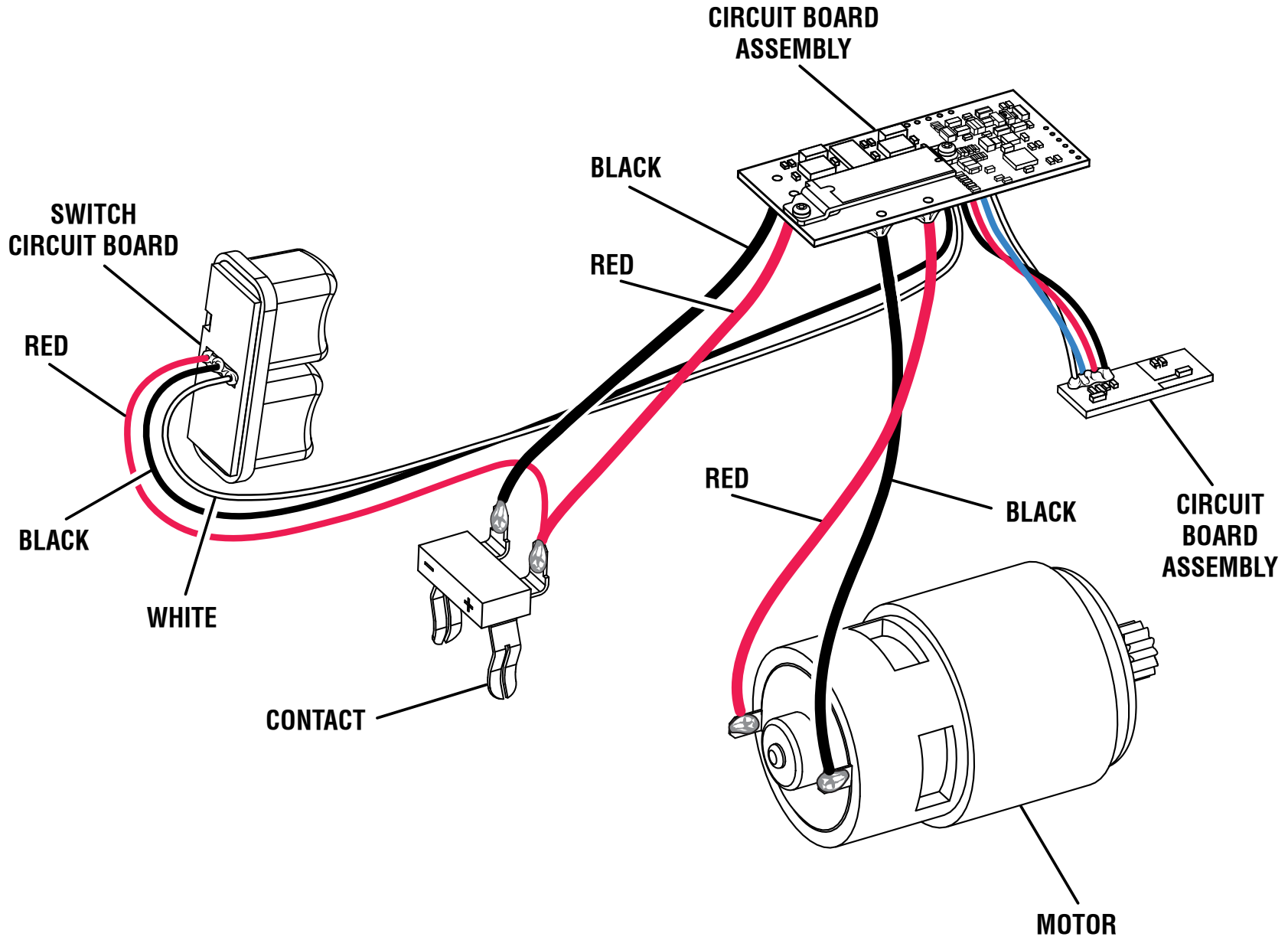
RYOBI BOLT CUTTER – MODEL NUMBER P592

The model number will be found on a label attached to the motor housing. Always mention the model number in all correspondence regarding your **DRAIN AUGER** or when ordering repair parts.

PARTS LIST – FIGURE A

KEY NO.	PART NUMBER	DESCRIPTION	QTY	KEY NO.	PART NUMBER	DESCRIPTION	QTY
1	204755002	Housing Assembly (Incl. Key Nos. 2 and 27)	1	17	670494002	Hex Nut	6
2	940304497	Logo Label	1	18	635499001	Washer (OD12.5 x ID6.3 x 0.2t).....	2
3	534622001	Switch Key	1	19	643165001	Front Blade Cage (Support Arm).....	1
4	564654001	Switch Button	1	20	660414013	Screw (M4 x 14 mm, T20 Torx Pan Hd.)	4
5	206745001	Circuit Board Assembly	1	21	206748001	Blade Assembly	1
6	206746001	Motor Assembly	1	22	660212054	Screw (M4 x 8 mm, Pan Hd.)	8
7	T662103001	Screw w/Washer (M4 x 8 mm, Pan Hd.)	2	23	533990001	Blade Cover	2
8	206747001	Clutch and Gear Box Assembly.....	1	24	662702001	Screw (M6 x 25 mm, Hex Hd., Special)	2
9	T661761001	Screw (M3 x 6 mm, Pan Hd.)	1	25	941120363	No Hands Label (Small)	2
10	204755003	Magnet Assembly	1	26	660206041	Screw (M3.5 x 14 mm, Pan Hd.)	11
11	204758002	Lead Screw Assembly	1	27	941121963	Warning/Data Label	1
12	643168001	Screw Cage.....	1	28	941120360	No Hands Label (Large)	1
13	662701001	Screw (M6 x 23.5, Hex Soc. CH, Special).....	4	29	6867601	Ball Bearing.....	1
14	634142001	Washer (OD14 x ID8.3 x 1t).....	4		Not Shown		
15	639955001	Connecting Rod	4		995000381	Operator's Manual (961151071)	
16	591846001	Rubber Washer (OD13 x ID8.5 x 1.5t).....	4		2-12-18		
					(Rev:01)		

RYOBI BOLT CUTTER – MODEL NUMBER P592



WIRING DIAGRAM