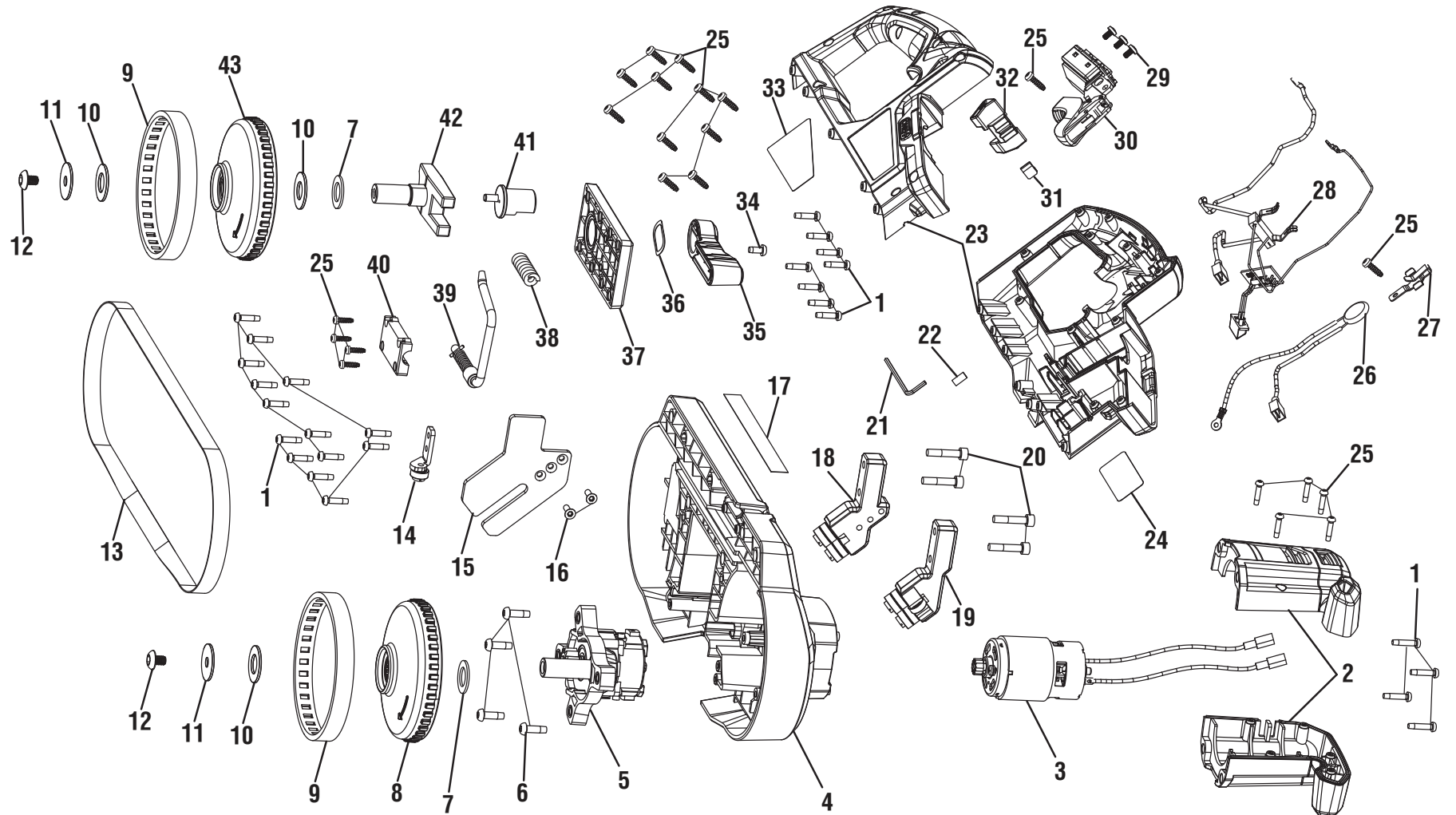


RYOBI
18 Volt Portable Band Saw
Item No. P590
Repair Sheet

One World Technologies, Inc.
P.O. Box 1288, Anderson, SC 29622
Phone 1-800-525-2579 • www.ryobitools.com

RYOBI 18 Volt Portable Band Saw – Item No. P590

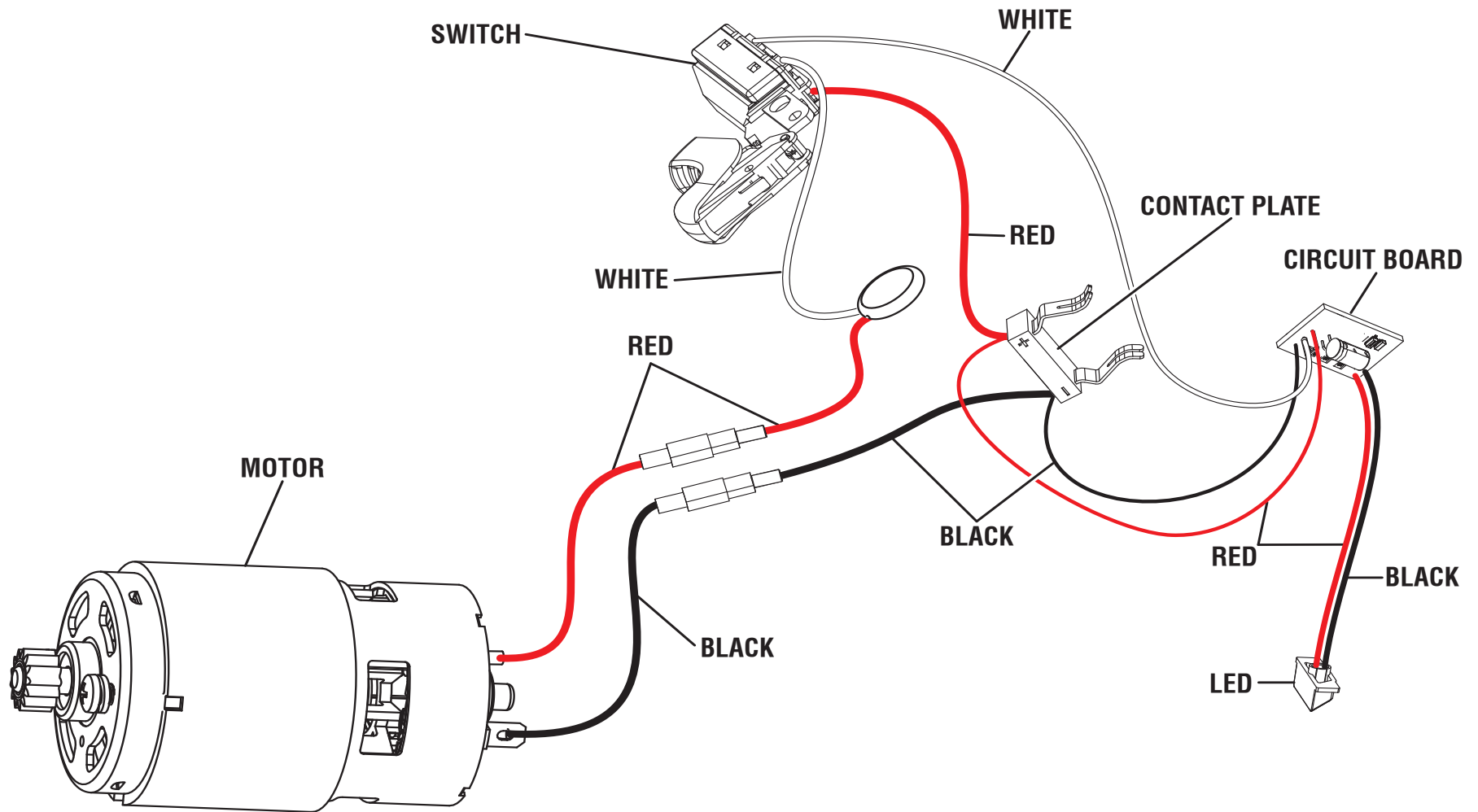


RYOBI 18 Volt Portable Band Saw – Item No. P590

The item and manufacturing number will be found on a label attached to the base assembly. Always mention the item and manufacturing number of your **BAND SAW** when requesting service or ordering repair parts.

PARTS LIST

KEY NO.	PART NUMBER	DESCRIPTION	QTY	KEY NO.	PART NUMBER	DESCRIPTION	QTY
1	660024018	Screw (M4 x 16 mm, T20 Torx Pan Hd.)	26	25	662565001	Screw (M3.5 x 14 mm, T10 Torx Pan Hd.)	22
2	204904002	Motor Housing Assembly	1	26	204802002	Wire Assembly	1
3	206901001	Motor Assembly	1	27	658269001	Bracket	1
4	204905002	Base Assembly	1	28	280680002	Control Board Assembly	1
5	206901002	Gear Assembly	1	29	660320001	Screw (M3.5 x 7 mm, Pan Hd.)	3
6	661075002	Screw (M5 x 16 mm, T20 Torx Pan Hd.)	4	30	760677026	Switch	1
7	635523001	Washer (ID14.2 x OD24 x 1.5t)	2	31	692342001	Button	1
8	313683001	Blade Drive Pulley	1	32	535210001	Lock-Out Button	1
9	560142002	Rubber Blade Pulley Tire	2	33	941122247	Data Label	1
10	537789001	Ring Spacer	3	34	660414008	Screw (M4 x 16 mm, T20 Torx Pan Hd.)	1
11	633266001	Washer (ID7 x OD27 x 1.5t)	2	35	535208001	Blade Release Lever	1
12	661299001	Screw (1/4-20 x 35 mm)	2	36	672665001	Spring Washer	1
13	682277001	Band Saw Blade	1	37	204803004	Tension Cover Assembly	1
14	314448001	Band Saw Guide Assembly	1	38	696966001	Blade Tension Spring	1
15	658222001	Work Rest	1	39	204909004	Hook Assembly	1
16	662054002	Screw (M4 x 12 mm, Hex Hd.)	2	40	536998001	Hook Cover	1
17	941120458	Warning Label	1	41	204800004	Tension Block Assembly	1
18	204907002	Guide Roller	1	42	204801002	Cam Block Assembly	1
19	204906002	Guide Roller Assembly	1	43	313682001	Blade Idle Pulley w/Insert	1
20	662393001	Screw (M5 x 25 mm, Hex Hd.)	4		Not Shown		
21	693523002	Hex Key	1		995000837	Operator's Manual	
22	560219006	Contact Plate	1		11-18-19		
23	204908006	Handle Assembly	1		(Rev:02)		
24	940304497	Logo Label	1				



WIRING DIAGRAM