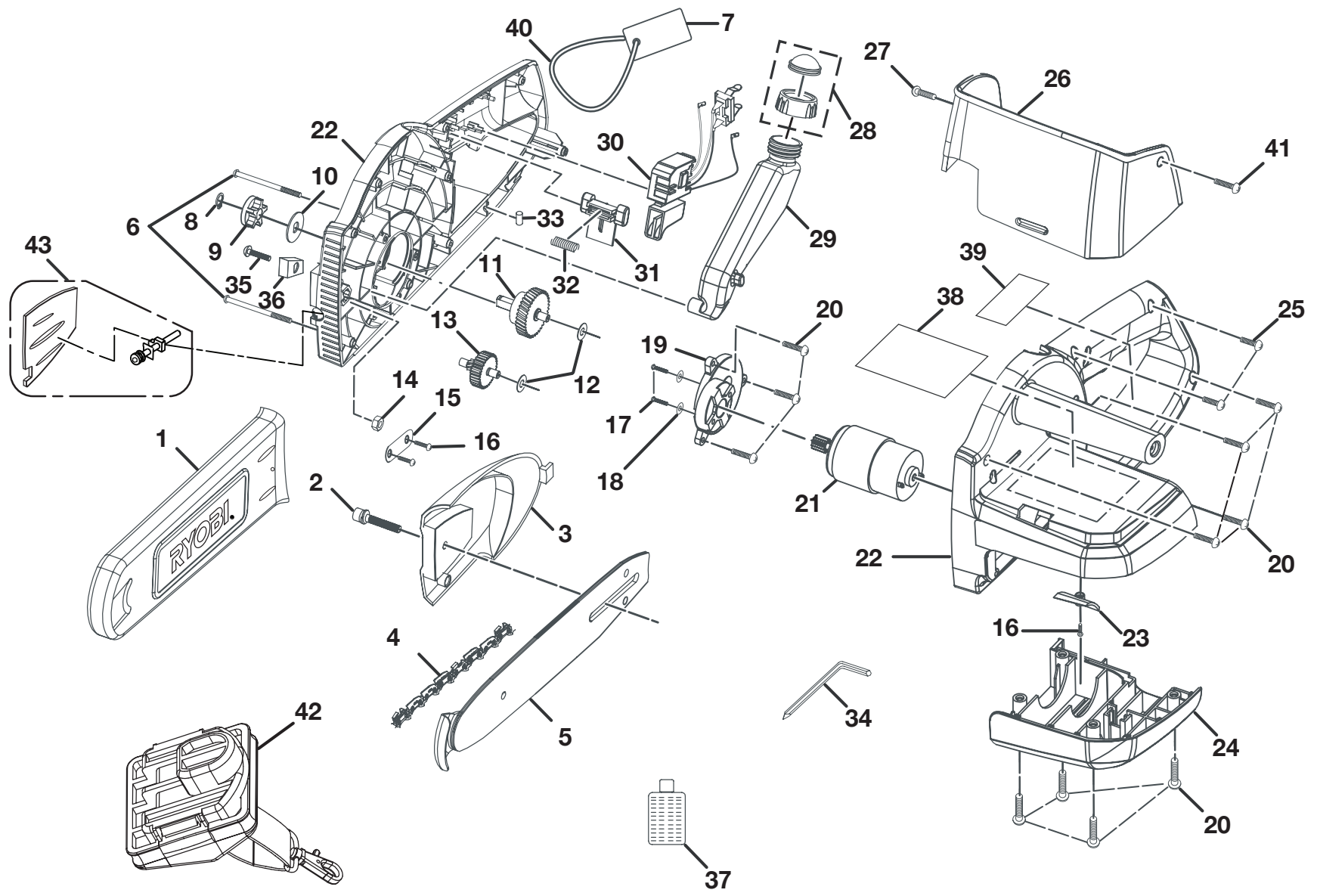


RYOBI 18 VOLT CORDLESS CHAIN SAW - MODEL NO. P540/P540A/P540B



RYOBI 18 VOLT CORDLESS CHAIN SAW – MODEL NO. P540/P540A/P540B

The model number will be found on a plate attached to the motor housing. Always mention the model number in all correspondence regarding your **RYOBI CORDLESS CHAIN SAW** or when ordering repair parts.

PARTS LIST

KEY NO.	PART NUMBER	DESCRIPTION	QTY	KEY NO.	PART NUMBER	DESCRIPTION	QTY
1	580363002	GUARD	1	25	6620805	SCREW (M4 X 16 mm PAN HD.)	2
2	6605802	SCREW (SOCKET HEAD)	1	26	200201003	FRONT HANDLE GUARD W/LABEL ASSEMBLY (INCL. KEY NO. 41)	1
3	200193002	SPROCKET GUARD	1				
4	6958301	CHAIN, (90JG-040).....	1	27	6620604	SCREW (M3.5 X 25 mm)	1
	690583002	CHAIN / CARLTON	1	28	300890001	OIL TANK COVER ASSEMBLY	1
5	671256002	CHAIN BAR (10 in.).....	1	29	5836201	OIL TANK.....	1
	671667002	SAW BAR / MERCURY.....	1	30	2701520	SWITCH ASSEMBLY	1
6	6623704	SCREW (M4 X 66 mm)	2	31	5217313	SAFETY KNOB	1
7	940230087	WARNING LABEL	1	32	6799802	SPRING	1
8	6760802	C-RING	1	33	5621901	CONTACT PLATE STOPPER.....	1
9	6132301	SPROCKET	1	34	6800203	HEX KEY (5 mm).....	1
10	6973301	COVER PLATE.....	1	35	660200002	SCREW (M2.3 X 6 mm)	1
11	3000343	OUTPUT SHAFT ASSEMBLY	1	36	900162004	FELT SEAL.....	1
12	6906001	WASHER.....	2	37	200227001	OIL AND BOTTLE ASSEMBLY	1
13	3000342	OUTPUT SHAFT ASSEMBLY	1	38	940230088	WARNING LABEL (ON HANDLE)	1
14	6819602	HEX NUT (M6)	1	39	940303196	DATA LABEL (P540).....	1
15	6985701	STEEL PLATE	1		940045237	DATA LABEL (P540A).....	1
16	6600506	BEARING RETAINER SCREW	3	40	790022001	CABLE TIE.....	1
17	6621211	SCREW (M4 X 12 mm)	2	41	660206001	SCREW (M3.5 X 18 mm)	1
18	6703001	SPRING WASHER	2	42	200292003	PLUG-IN LANYARD (P540 and P540A only)	1
19	3076501	MOTOR MOUNTING ASSEMBLY	1	43	120950067	CHAIN TENSION ASSEMBLY	1
20	6620803	SCREW (M4 X 22 mm PAN HD.)	11				
21	2307404	MOTOR ASSEMBLY.....	1	NOT SHOWN:			
22	200192004	HOUSING ASSEMBLY	1		983000538	P540 ONLY OPERATOR'S MANUAL (960223360)	
23	5958401	WIND PLATE.....	1			P540/P540A OPERATOR'S MANUAL (960052105)	
24	590497003	LOWER MOTOR HOUSING	1		3-11-11		
					(REV:03)		