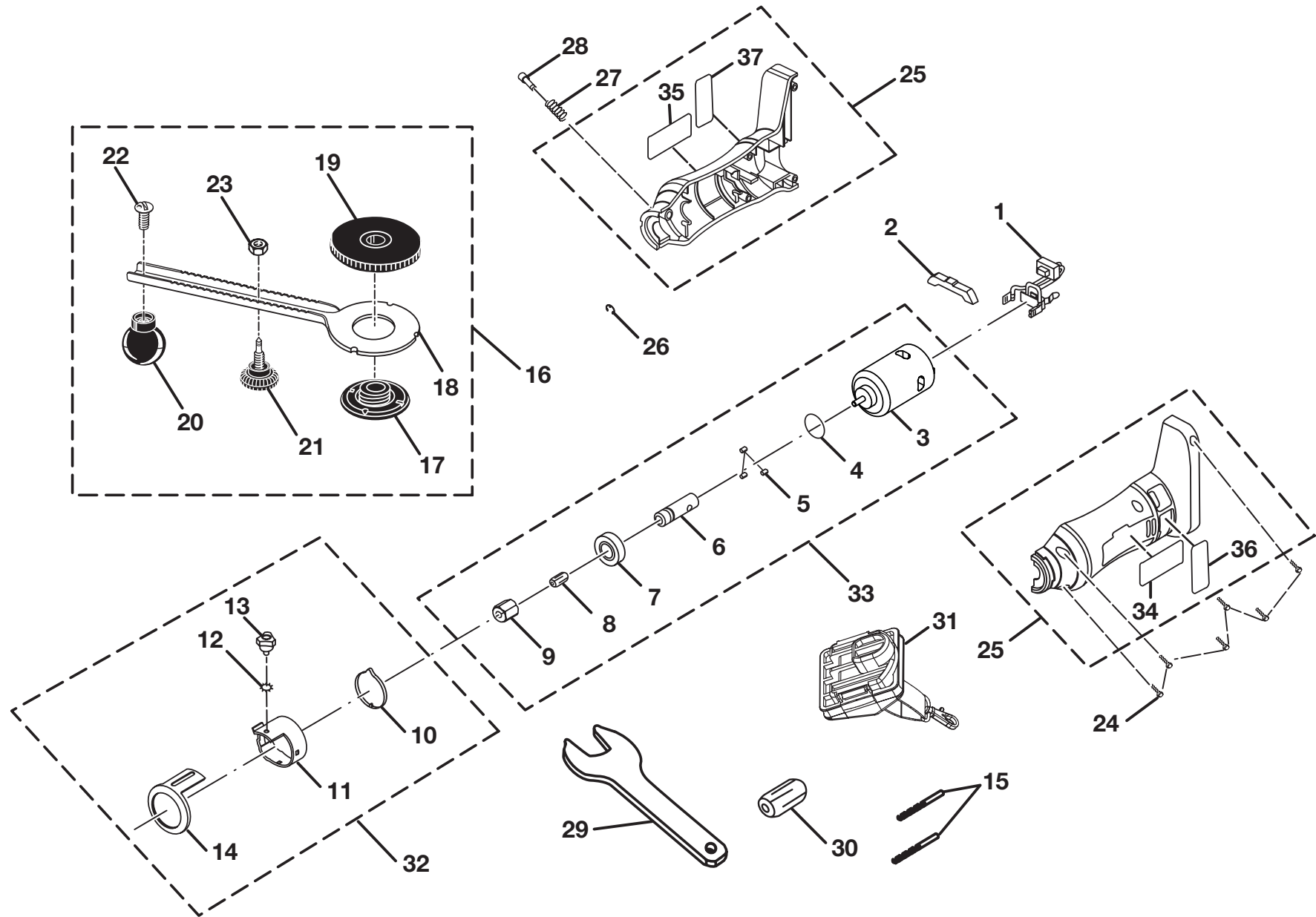


RYOBI SPEED SAW – MODEL NUMBER P530



RYOBI SPEED SAW – MODEL NUMBER P530

The model number will be found on a plate attached to the motor housing. Always mention the model number in all correspondence regarding your **SPEED SAW** or when ordering repair parts.

PARTS LIST

KEY NO.	PART NUMBER	DESCRIPTION	QTY	KEY NO.	PART NUMBER	DESCRIPTION	QTY
1	270011090	SWITCH ASSEMBLY	1	21	3068801	PIVOT POINT ASSEMBLY	1
2	3900201	SWITCH KNOB	1	22	6633701	SCREW (1/4 in. x 12 mm)	1
3	741284001	MOTOR	1	23	6633801	NUT	1
4	5991401	MOTOR RING (FRONT)	1	24	660208028	SCREW (M4 x 16 mm)	6
5	5671801	RUBBER PIN	3	25	200006013	HOUSING ASSEMBLY (INC. KEY NOS. 34-37).....	1
6	6221501	OUTPUT SHAFT	1	26	6725101	E-RING.....	1
7	6904201	BALL BEARING (NSK).....	1	27	6723101	SPRING.....	1
	680071001	BALL BEARING (6002ZZ)	1	28	6722901	LOCK PIN.....	1
8	6904401	COLLET (1/8 in.)	1	29	6960401	WRENCH	1
9	6904301	COLLET NUT	1	30	6904501	COLLET (1/4 in.)	1
10	6960101	SLEEVE SPRING.....	1	31	200292003	PLUG-IN LANYARD	1
11	6960201	BASE SLEEVE.....	1	32	300597002	DEPTH GUIDE ASSEMBLY (INC. KEY NOS. 10-14).....	1
12	6725201	LOCK WASHER.....	1	33	300707001	MOTOR & SHAFT ASSEMBLY (INC. KEY NOS. 3-9).....	1
13	3031704	KNOB ASSEMBLY	1	34	940303195	DATA LABEL	1
14	6960301	BASE PLATE	1	35	940263138	LOGO LABEL.....	1
15	670233003	1/8 in. PILOTED DRYWALL CUT BIT	1	36	940230094	WARNING LABEL	1
	670233005	1/8 in. NON-PILOTED DRYWALL CUT BIT	1	37	940230093	WARNING LABEL	1
16	1263301	CIRCLE CUTTER ASSEMBLY (INC. KEY NOS. 17-23).....	1	Not Shown:			
17	5924301	ROUND ADAPTOR	1		983000512	OPERATOR'S MANUAL (960223358)	
18	690469002	CIRCLE CUTTER ARM	1		08-14-09		
19	5924401	THREADED KNOB	1		(Rev: 04)		
20	3031703	KNOB ASSEMBLY	1				