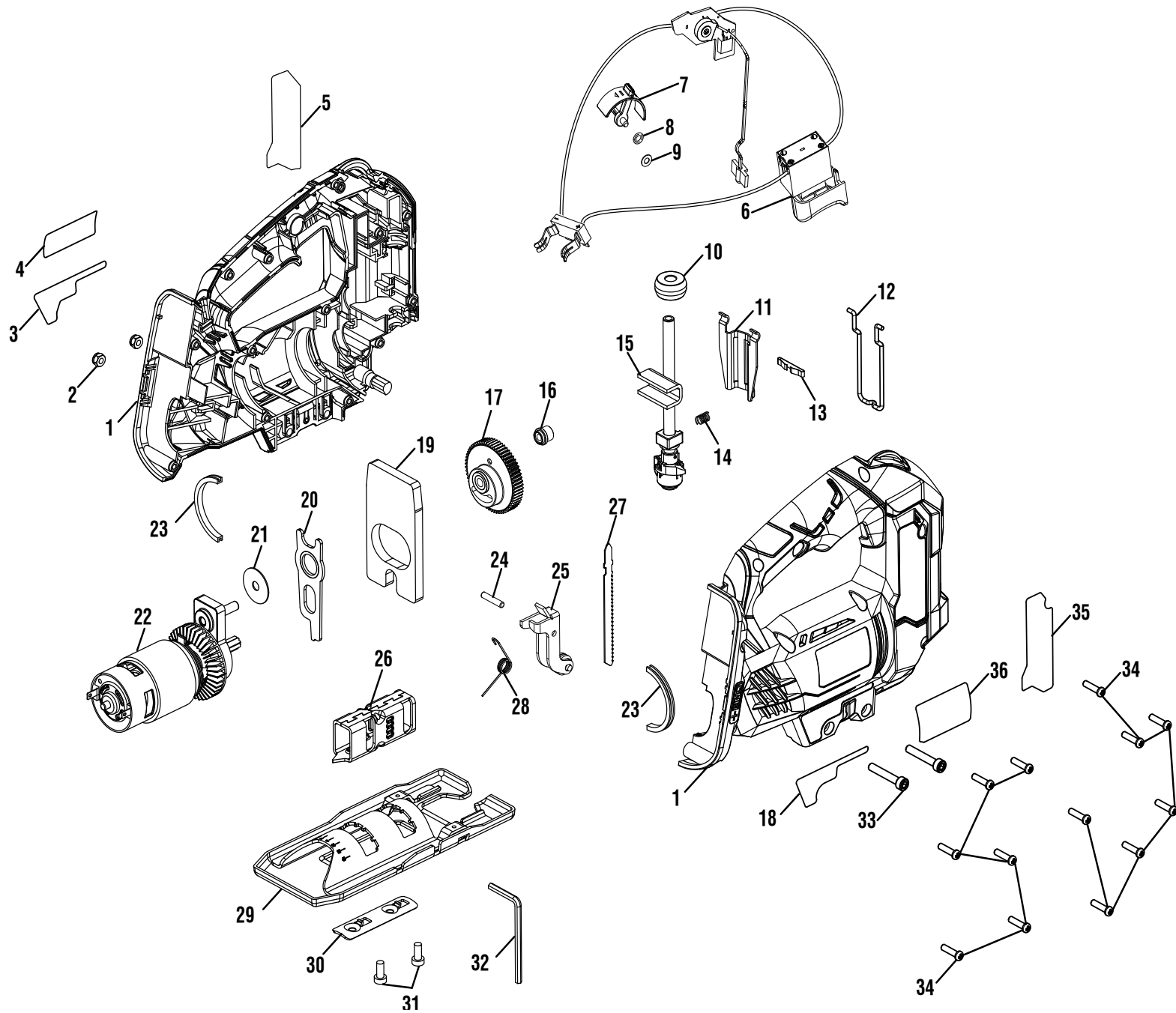


RYOBI 18 VOLT JIG SAW – MODEL NUMBER P523



## RYOBI 18 VOLT JIG SAW – MODEL NUMBER P523

The model number will be found on a label attached to the motor housing. Always mention the model number in all correspondence regarding your **JIG SAW** or when ordering repair parts.

### PARTS LIST

KEY NO.	PART NUMBER	DESCRIPTION	QTY		KEY NO.	PART NUMBER	DESCRIPTION	QTY
1	526299001	Housing Assembly.....	1		21	630844001	Washer.....	1
2	670974003	Lock Nut (M5).....	2		22	230482001	Motor Assembly.....	1
3	941003240	BladeSaver Label.....	1		23	570264001	Rubber Cushion.....	2
4	940114178	Ryobi Logo Label.....	1		24	673058001	Pin.....	1
5	941003238	Orbital Label.....	1		25	305104002	Bushing Assembly.....	1
6	270013090	Switch Assembly.....	1		26	634909001	Bracket.....	1
7	526393001	Speed Dial.....	1		27	690227035	Wood Cutting Blade.....	1
8	560174001	O-ring.....	1		28	693114003	Torsion Spring.....	1
9	680865001	Washer (8.5 mm x 4.2 mm x 1 mm).....	1		29	634908001	Base Assembly.....	1
10	611841001	Bushing.....	1		30	634911001	Clamp Plate.....	1
11	630845001	Guide Plate.....	1		31	661276002	Screw (M4 x 10 mm, Hex Hd.).....	2
12	634964001	Metal Wire (Blade Guard).....	1		32	694108001	Hex Key (M4).....	1
13	631252001	Spring Plate.....	1		33	662035001	Screw (M5 x 30 mm).....	2
14	693240001	Compression Spring.....	1		34	660024018	Screw (M4 x 16 mm, T-20 Pan Hd.).....	13
15	304944005	Saw Bar Assembly.....	1		35	941003239	Orbital Label (French/Spanish).....	1
16	305104002	Drive Bushing Assembly.....	1		36	941121225	Data Label.....	1
17	220219001	Gear Assembly.....	1			990000571	Operator's Manual (961152221)	
18	941003241	BladeSaver Label (French/Spanish).....	1			12-16-13		
19	611716001	Counterbalance.....	1			(Rev:01)		
20	301627001	Drive Plate Assembly.....	1					