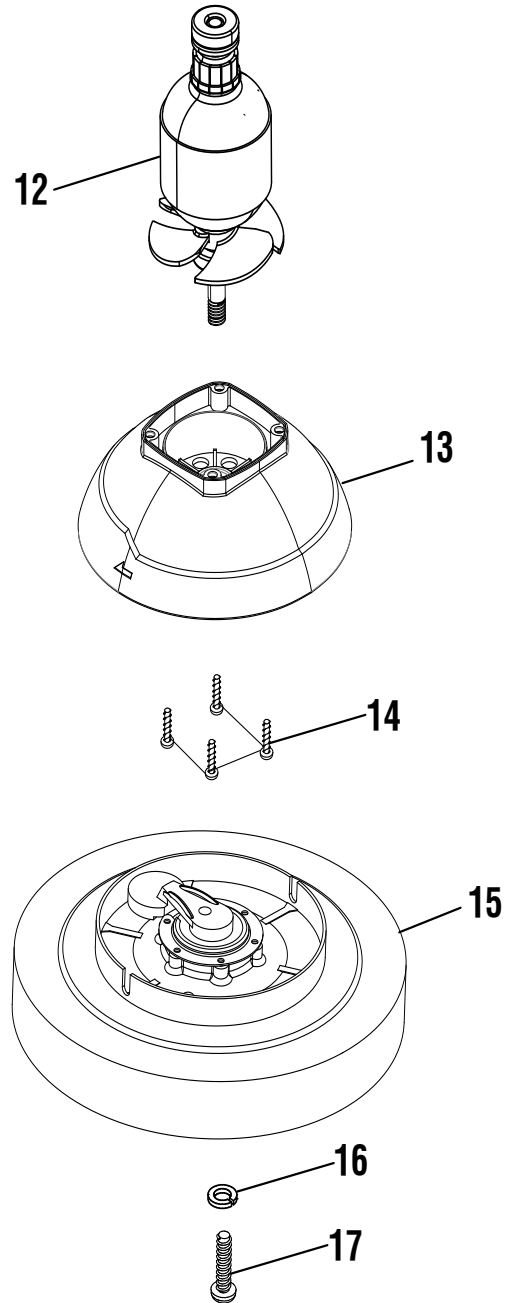
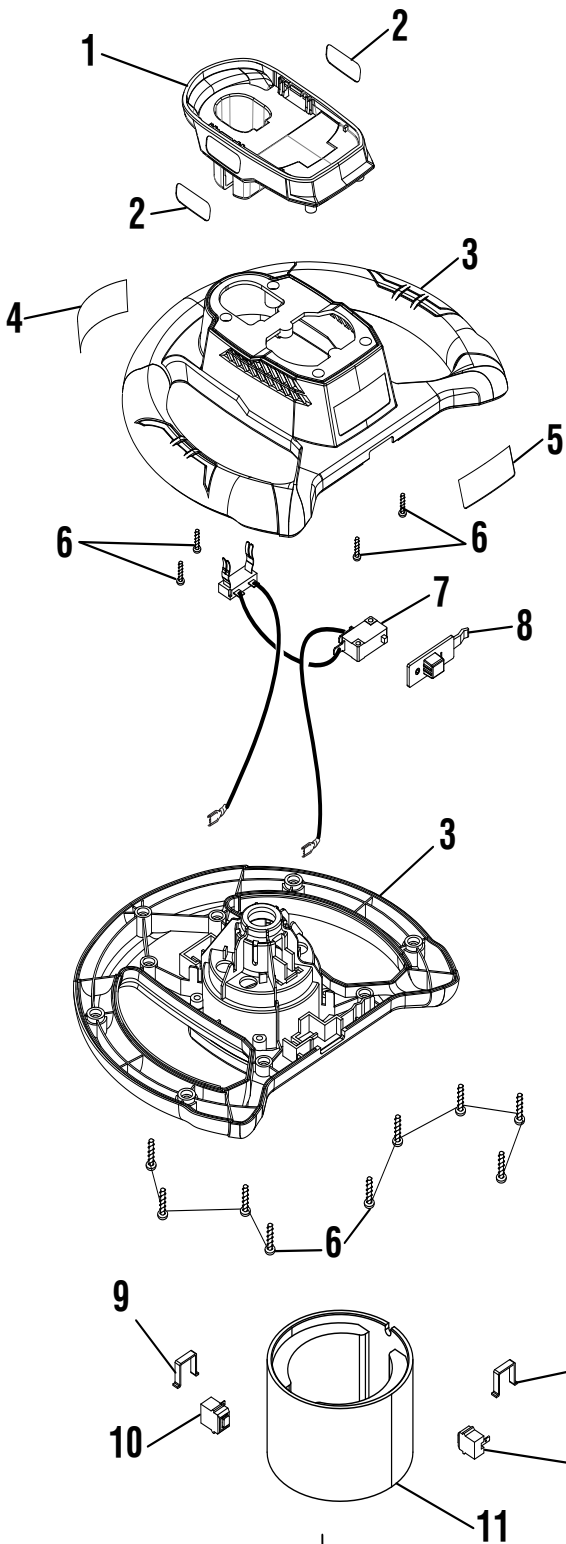


**18 Volt Buffer/Polisher  
Item No. P435  
Repair Sheet**

**TECHTRONIC INDUSTRIES POWER EQUIPMENT**

1428 Pearman Dairy Road, Anderson, SC 29625 USA  
1-800-860-4050 • [www.ryobitools.com](http://www.ryobitools.com)

RYOBI 10 in. 18 Volt Buffer/Polisher – Model Number P435



## RYOBI 10 in. 18 Volt Buffer/Polisher – Model Number P435

The model number will be found on a label attached to the motor housing. Always mention the model number in all correspondence regarding your **BUFFER/POLISHER** or when ordering repair parts.

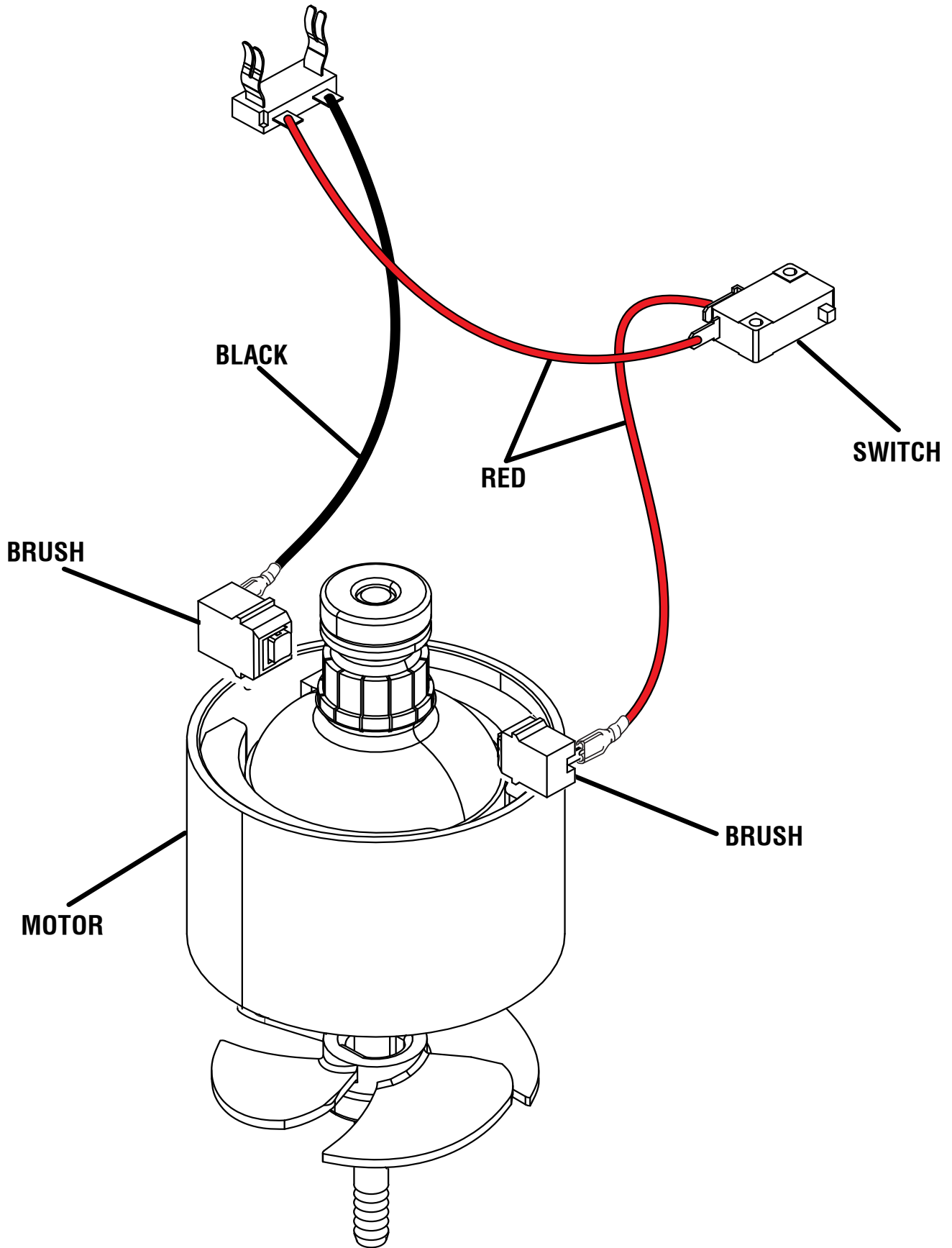
### PARTS LIST

Key No.	Part Number	Description	Qty
1	019661001106	Battery Support Assembly (Inc. Key No. 2) .....	1
2	941002189	Logo Label .....	2
3	019661001105	Housing Assembly (Inc. Key Nos. 4-5) .....	1
4	941121439	Data Label .....	1
5	940114178	Logo Label .....	1
6	019661001024	Screw (M4.2 × 14 mm) .....	13
7	019661001104	Switch & Contact Plate Holder Assembly .....	1
8	019661001030	Switch Button .....	1
9	019661001026	Brush Assembly Holder .....	2
10	019661001103	Brush Assembly .....	2
11	019661001102	Armature Assembly .....	1
12	019661001018	Motor Case .....	1
13	019661001013	Lower Housing .....	1
14	019661001012	Screw (M5 × 25 mm) .....	4
15	019661001101	Pad Assembly .....	1
16	019661001005	Lock Washer (M5) .....	1
17	019661001005	Screw (M5 x 12 mm) .....	1

**Not Shown:**

019661001035	Polishing Bonnet
019661001036	Terry Cloth Bonnet
991000187	Operator's Manual (961152441)
4-16-15	
(Rev:01)	

**RYOBI 10 in. 18 Volt Buffer/Polisher – Model Number P435**



**WIRING DIAGRAM**