

RYOBI
Angle Grinder
Model No. P423
Repair Sheet

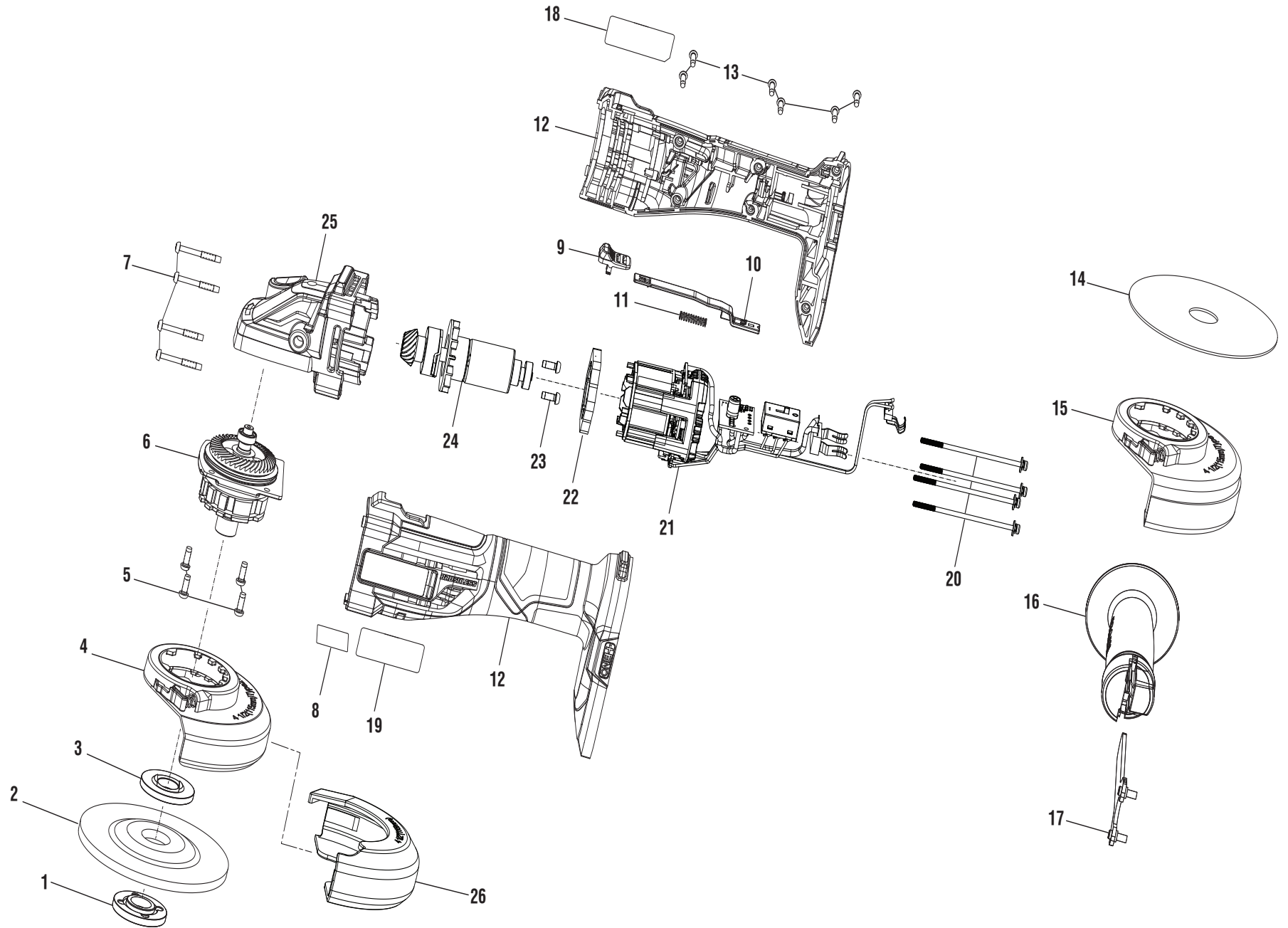
One World Technologies, Inc.

P.O. Box 1288, Anderson, SC 29622

Phone 1-800-860-4050

www.ryobitools.com

RYOBI 18V ANGLE GRINDER – MODEL NUMBER P423



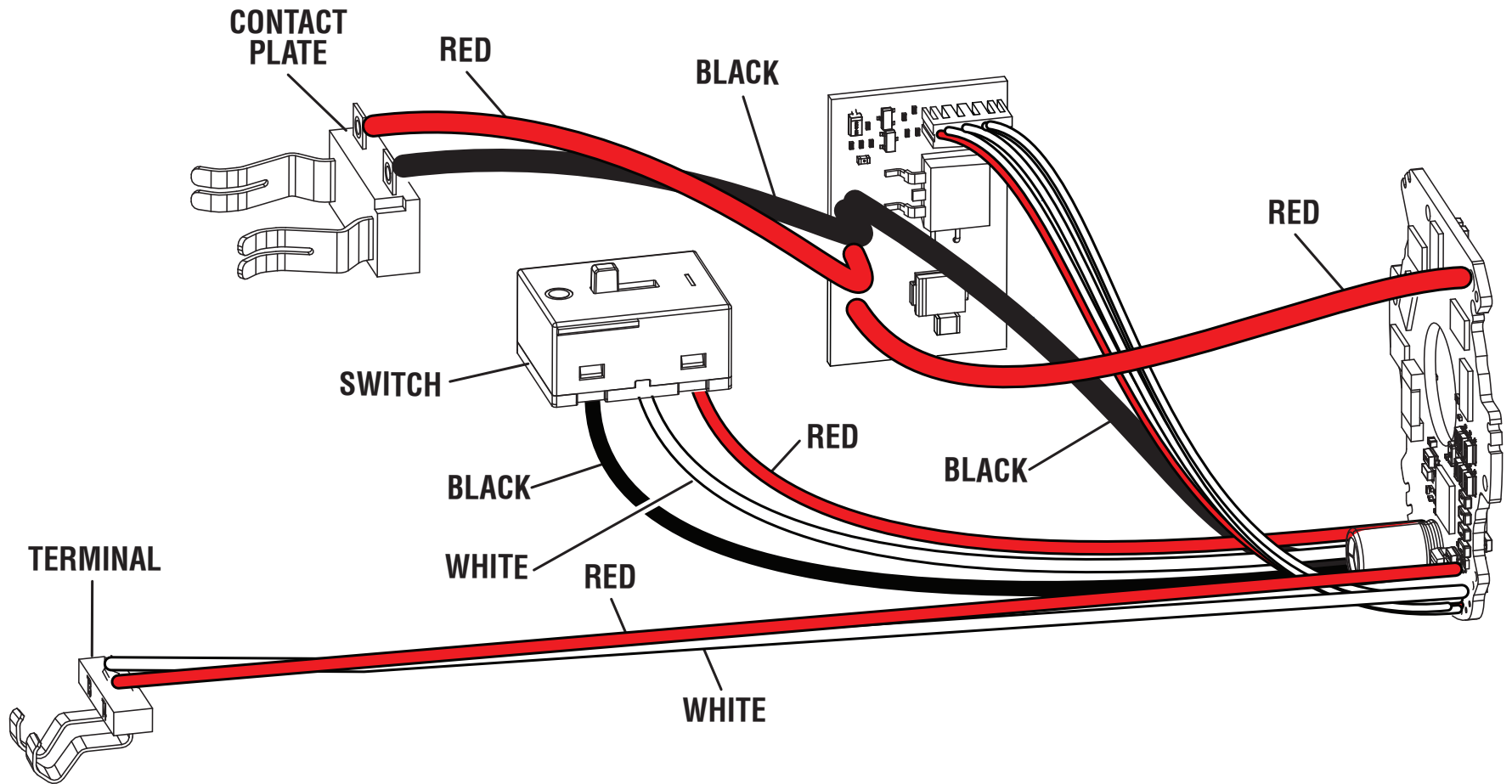
RYOBI 18V ANGLE GRINDER – MODEL NUMBER P423

The model number will be found on a label attached to the motor housing. Always mention the model number in all correspondence regarding your **ANGLE GRINDER** or when ordering repair parts.

PARTS LIST

KEY NO.	PART NUMBER	DESCRIPTION	QTY
1	613556001	Clamp Nut (5/8-11 UNC).....	1
2	903440001	Grinding Wheel (4.5 in., 115 mm).....	1
3	613555001	Disc Flange	1
4	312647002	Grinding Wheel Guard Assembly (Incl. Key No. 26).....	1
5	660165013	Screw (M4 x 12 mm, T20 Torx Hd., Pan Hd.).....	4
6	206692001	Spindle Assembly.....	1
7	660024047	Screw (M4 x 32 mm, T20 Torx Hd., Pan Hd.).....	4
8	941120337	Warning Label (English/French)	1
9	531776001	Switch Trigger	1
10	531775001	Slide Switch Button.....	1
11	693288001	Compression Spring	1
12	204764001	Housing Assembly (Incl. Key Nos. 8 & 18-19).....	1
13	660435010	Screw (M3.5 x 16 mm, T15 Torx Hd., Pan Hd.).....	6
14	903440003	Cutting Wheel.....	1
15	305492015	Cutting Wheel Guard.....	1
16	313309001	Auxiliary Handle	1
17	639701001	Wrench	1
18	941121906	Data Label	1
19	940114178	Logo Label	1
20	T662511001	Screw (M3 x 75 mm, T10 Torx Hd., w/Flat Washer & Spring Washer).....	4
21	206689001	Field, Switch, Circuit Board & Contact Plate Assembly.....	1
22	531835001	Spacer.....	1
23	660165015	Screw (M4 x 10 mm, T20 Torx Hd., Pan Hd.).....	2
24	206691001	Armature Assembly	1
25	206690001	Gear Case Assembly	1
26	204772003	Guard	1
	NOT SHOWN:		
	995000278	Operator's Manual	
	5-16-19		
	(Rev:03)		

RYOBI 18V ANGLE GRINDER – MODEL NUMBER P423



WIRING DIAGRAM