

**RYOBI
18 VOLT DRAIN AUGER
MODEL NUMBER P4001
REPAIR SHEET**

RYOBI DRAIN AUGER – MODEL NUMBER P4001

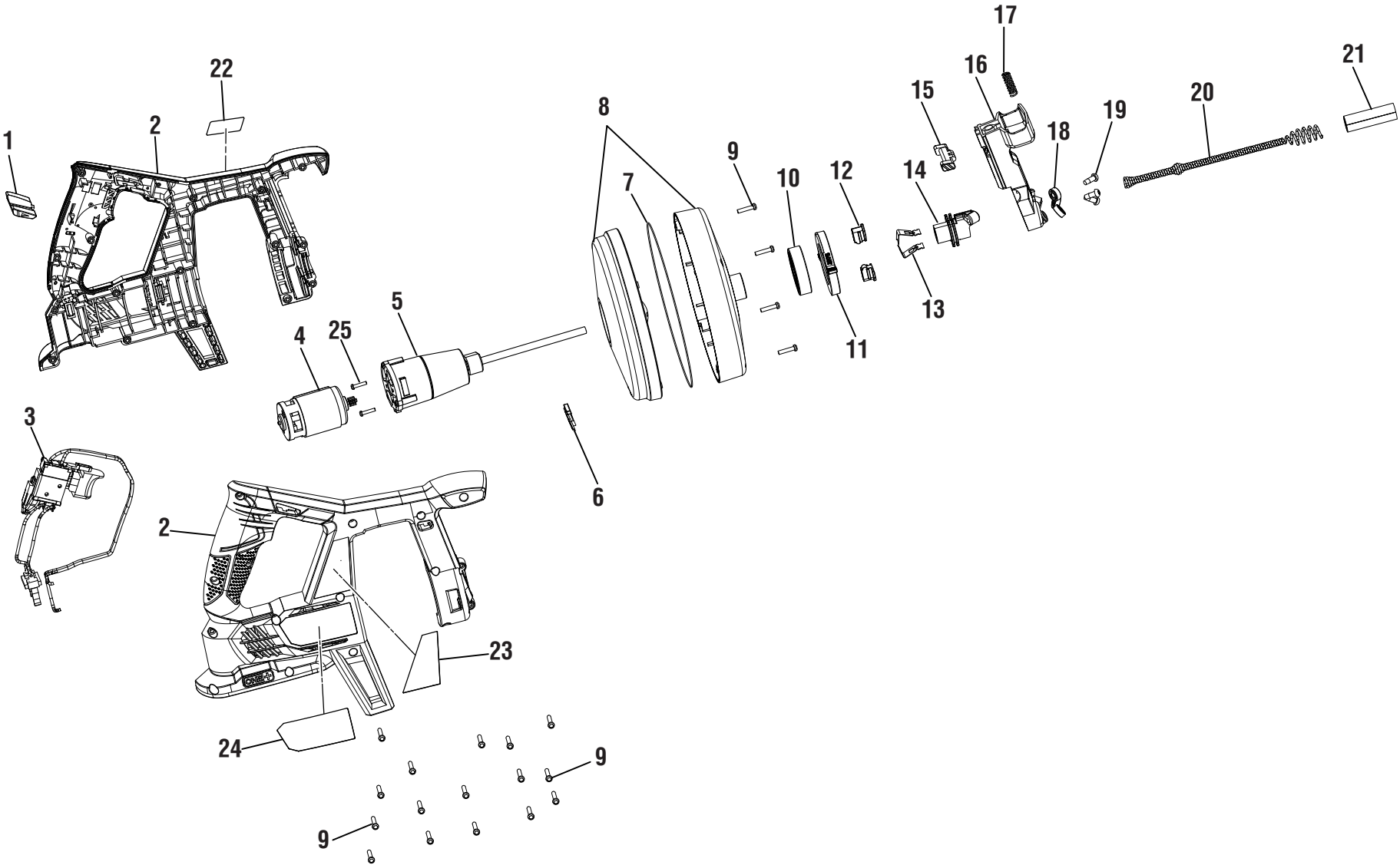


FIGURE A

RYOBI DRAIN AUGER – MODEL NUMBER P4001

The model number will be found on a label attached to the motor housing. Always mention the model number in all correspondence regarding your **DRAIN AUGER** or when ordering repair parts.

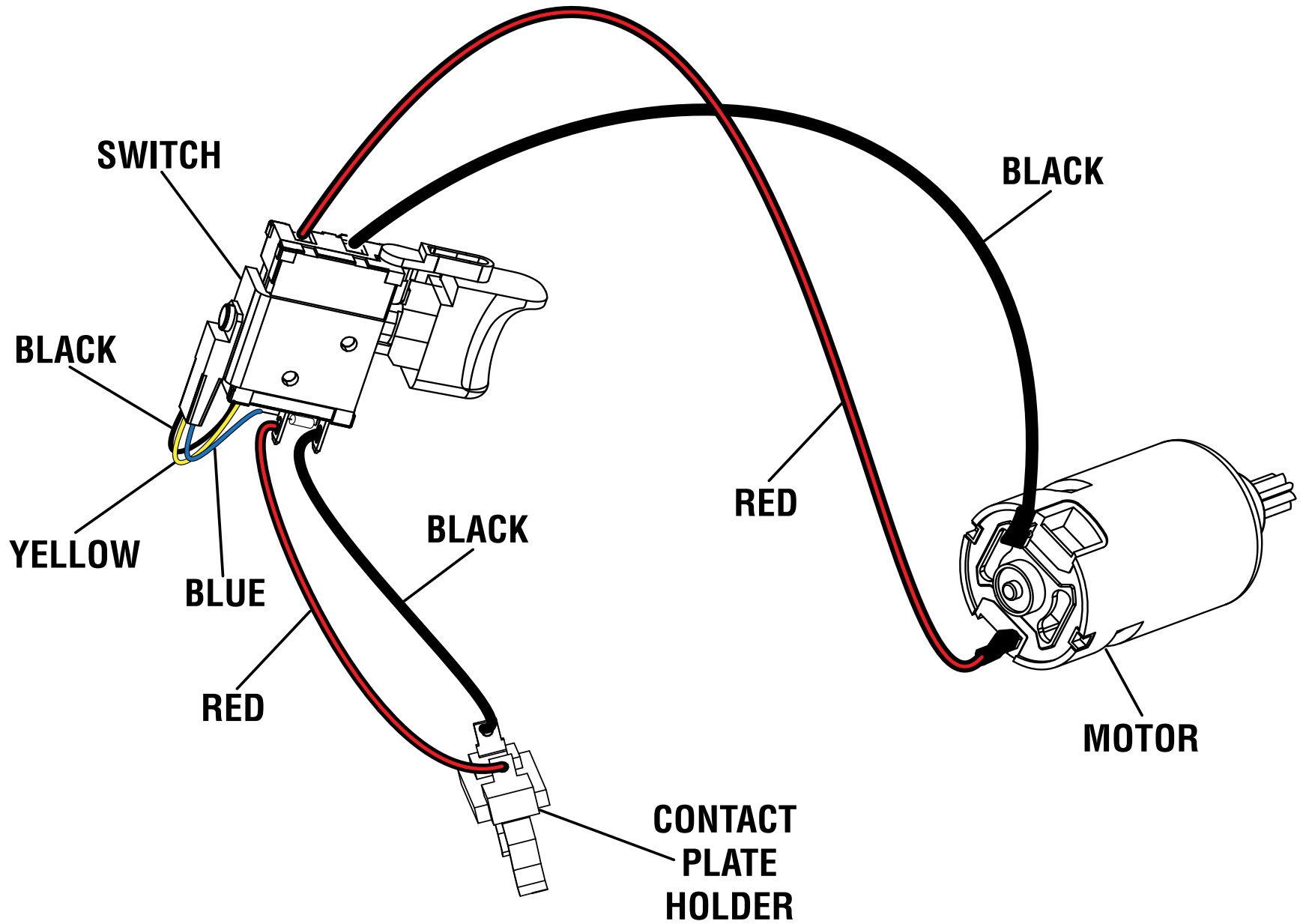
PARTS LIST – FIGURE A

KEY NO.	PART NUMBER	DESCRIPTION	QTY
1	517901005	Direction of Rotation Selector (Forward/Reverse/Center Lock)	1
2	203756001	Motor Housing Assembly	1
3	203866001	Switch Assembly	1
4	206367001	Motor Assembly.....	1
5	206368001	Gear Box Assembly	1
6	563875001	Drain Tab (Rubber Seal)	1
7	563915001	O-Ring	1
8	206385001	Drum Assembly (Inc. Key Nos. 6-7 & 9)	1
9	660031012	Screw (M3.5 x 14 mm, T10 Tox Pan Hd.)	20
10	682014001	Ball Bearing (6005 2Z)	1
11	529305001	Lock Ring.....	1
12	529304001	Slide Block.....	2
13	636773001	Lock Spring Plate	2
14	528941001	Cable Tube.....	1
15	352309001	Auto-Feed Lock	1
16	528940001	Trigger	1
17	694199001	Compression Spring	1
18	681366001	Ball Bearing (605-2RS)	3
19	661075002	Screw (M5 x 12 mm, T25 Torx CH Hd.)	3
20	694797001	Snake Cable (Auger)	1
21	514481003	Cap	1
22	941002196	Logo Label	1
23	941121459	Data Label.....	1
24	941120128	Warning Label.....	1
25	660211006	Screw (M3 x 6 mm, Pan Hd.).....	2

Not Shown

991000480 Operator's Manual

8-6-15
(Rev:01)



WIRING DIAGRAM