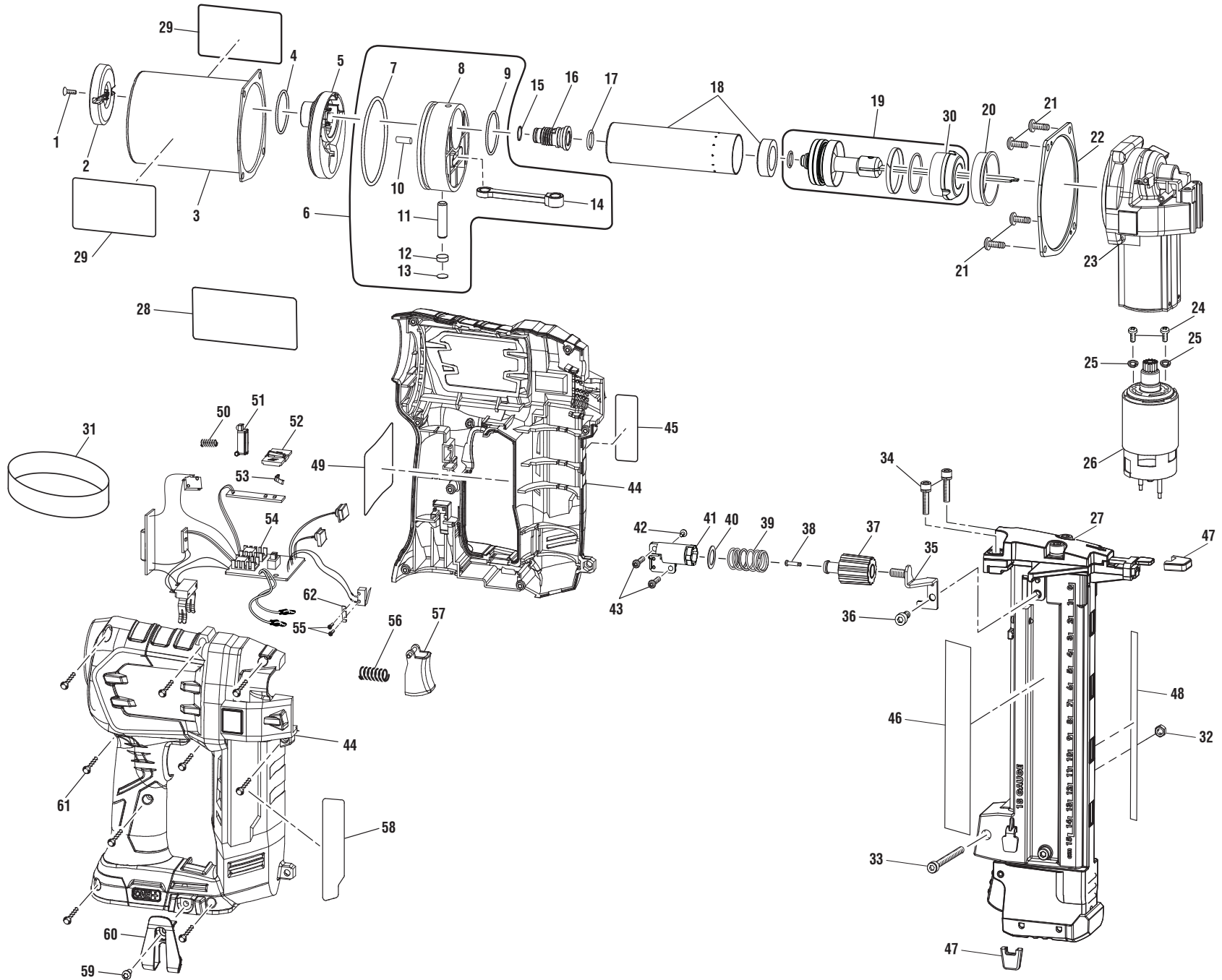


# 18 GA CORDLESS STAPLER - MODEL NUMBER P360



## 18 GA CORDLESS STAPLER – MODEL NUMBER P360

The model number will be found on a label attached to the motor housing. Always mention the model number in all correspondence regarding your **RYOBI STAPLER** or when ordering repair parts.

### PARTS LIST

KEY PART NO. NUMBER	DESCRIPTION	QTY	KEY PART NO. NUMBER	DESCRIPTION	QTY	KEY PART NO. NUMBER	DESCRIPTION	QTY
1	661858001 Screw (M3 x 16 mm, T10 Torx Flat Hd.) .....	1	23	202920001 Crank Case and Gear Assembly ..	1	45	940114178 Logo Label.....	1
2	524473001 Knob .....	1	24	660212005 Screw (M4 x 8 mm, Pan Hd.) .....	2	46	941007012 Danger Label (Magazine).....	1
3	202642001 Piston Cylinder (Inc. Key No. 29)..	1	25	670030004 Spring Washer (OD7.2 x ID4.1 x 1t) .....	2	47	525814001 No-Mar Pad .....	2
4	562962001 O-Ring .....	1	26	202606001 Motor Assembly .....	1	48	941001071 Worklight Label (LED) .....	1
5	305672001 Valve Holder w/Insert .....	1	27	202921001 Magazine Assembly .....	1	49	941001094 POP Label .....	1
6	206151001 Piston and Rod Assembly (Inc. Key Nos. 7-14).....	1	28	918003016 Warning Hangtag.....	1	50	692784001 Compression Spring.....	1
7	562959001 O-Ring .....	1	29	941007015 Air Strike Label .....	2	51	524852001 LED Trigger.....	1
8	524451001 Piston .....	1	30	562964001 Rubber Bumper.....	1	52	524689001 Mode Selector .....	1
9	562958001 O-Ring .....	1	31	941120019 Warning Hang Tag .....	1	53	634401001 Spring Plate .....	1
10	202641001 Filter.....	1	32	670974003 Hex Nut (M5) .....	1	54	270013096 Switch/Circuit Board Assembly....	1
11	673090001 Pin .....	1	33	660180005 Screw (M5 x 32 mm, Soc. Hd.) ....	1	55	661902001 Screw w/Washer (M2 x 14 mm, Pan Hd.).....	2
12	693291001 Magnet .....	1	34	661749001 Screw w/Washer (M4 x 19 mm, Soc. Hd.) .....	2	56	693688001 Compression Spring.....	1
13	524752001 Bumper.....	1	35	635029001 Depth Adjustment Crank Handle .1	1	57	524418001 Trigger.....	1
14	693099003 Connecting Rod .....	1	36	T661853001 Screw (M4 x 4 mm, Soc. Hd.) .....	1	58	941121240 Data Label .....	1
15	562961001 O-Ring .....	1	37	305671001 Depth Adjustment Knob.....	1	59	660212001 Screw (M4 x 6 mm, Pan Hd.) .....	1
16	524475001 Valve Shaft.....	1	38	661743001 Screw (M2.5 x 18 mm, Hex) .....	1	60	633586002 Belt Hook.....	1
17	562960001 O-Ring .....	1	39	693475001 Spring .....	1	61	660031011 Screw (M3.5 x 16 mm, T10 Torx Pan Hd.).....	9
18	305684001 Drive Cylinder w/Magnet.....	1	40	690046001 Washer (OD14.8 x ID10.5 x 0.5t) ..	1	62	635100001 Plate .....	1
19	202918001 Driver Assembly .....	1	41	524688001 Depth Adjustment Knob Holder ...	1	<b>Not Shown:</b>		
20	562963001 Rubber Sleeve.....	1	42	661742001 Screw (T10 Torx, T.F) .....	1	202922001	Seal Kit (Inc. Key Nos. 4, 7, 9, 15, 17 and 20)	
21	661923001 Screw (M4 x 14 mm, T20 Torx Pan Hd.).....	4	43	660380008 Screw (M3 x 10 mm, T10 Torx Pan Hd.).....	2	990000748	Operator's Manual	
22	634212001 Gasket .....	1	44	202919001 Housing Assembly (Inc. Key Nos. 45, 49 and 58) .....	1	1-27-14		
						(Rev:01)		