

**RYOBI**  
**18 VOLT DC CAULKING GUN**  
**MODEL NO. P310G**  
**REPAIR SHEET**

RYOBI 18 VOLT DC CAULKING GUN - MODEL NUMBER P310G

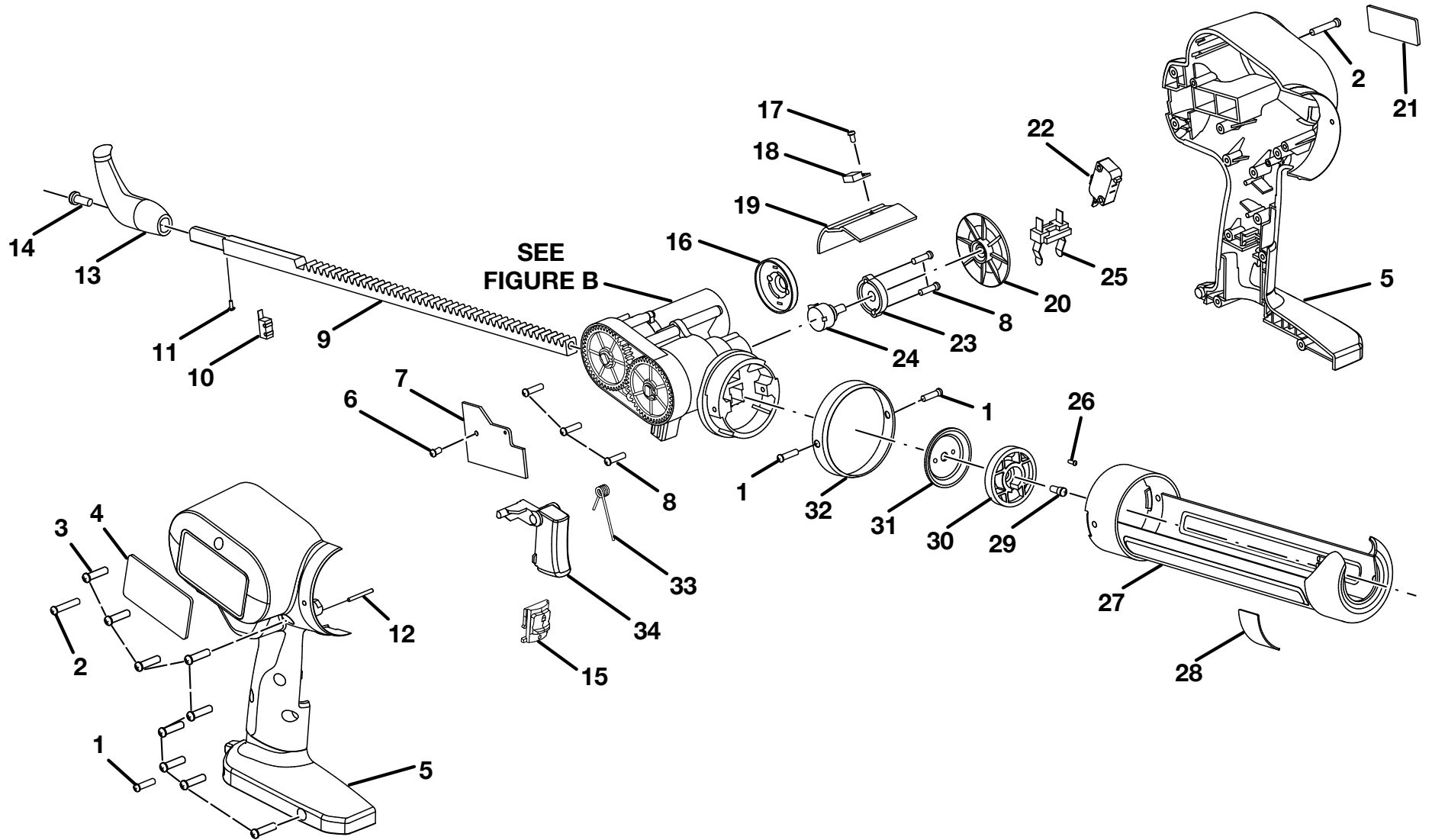


Figure A

## RYOBI 18 VOLT DC CAULKING GUN – MODEL NUMBER P310G

The model number will be found on a label attached to the motor housing. Always mention the model number in all correspondence regarding your **CAULKING GUN** or when ordering repair parts.

### PARTS LIST

KEY NO.	PART NUMBER	DESCRIPTION	QTY	KEY NO.	PART NUMBER	DESCRIPTION	QTY
1	6620614	Screw (M3.5 x 14 mm, Pan Hd.).....	3	18	830235001	Power Mosfet.....	1
2	660206040	Screw (M3.5 x 20 mm, Pan Hd.).....	2	19	631289001	Heat Sink .....	1
3	6627201	Screw (M4 x 14 mm, Binding Hd.).....	9	20	342787005	Speed Control Dial Knob.....	1
4	941121357	Data Label.....	1	21	940114194	Logo Label.....	1
5	200202567	Housing With Label Assembly (Inc. Key Nos. 4 and 21).....	1	22	760307001	Switch.....	1
6	660203027	Screw (M3 x 8 mm, Pan Hd.).....	1	23	512905001	Field .....	1
7	860260001	Circuit Board .....	1	24	810203001	Speed Potentiometer.....	1
8	660203055	Screw (M3 x 14 mm, Pan Hd.).....	5	25	300001044	Contact Plate Holder .....	1
9	640796002	Rack .....	1	26	6621106	Screw (M3 x 6 mm, Pan Hd.).....	1
10	760384001	Micro Switch.....	1	27	631279001	Tube Holder .....	1
11	660169068	Screw (M4 x 6 mm, Soc. Hd.).....	1	28	940230100	Warning Label.....	1
12	671527001	Pin.....	1	29	660409001	Screw (M4 x 6 mm).....	1
13	512790003	Rack Handle .....	1	30	512830001	Plunger.....	1
14	660219025	Screw (M5 x 15 mm, Pan Hd.).....	1	31	631286001	Plunger.....	1
15	512789003	Trigger Lock Button .....	1	32	631288001	Ring.....	1
16	561200001	Motor Cover.....	1	33	671521001	Trigger Spring .....	1
17	660211045	Screw (M3 x 4 mm, Pan Hd.).....	1	34	512788005	Trigger.....	1

RYOBI 18 VOLT DC CAULKING GUN - MODEL NUMBER P310G

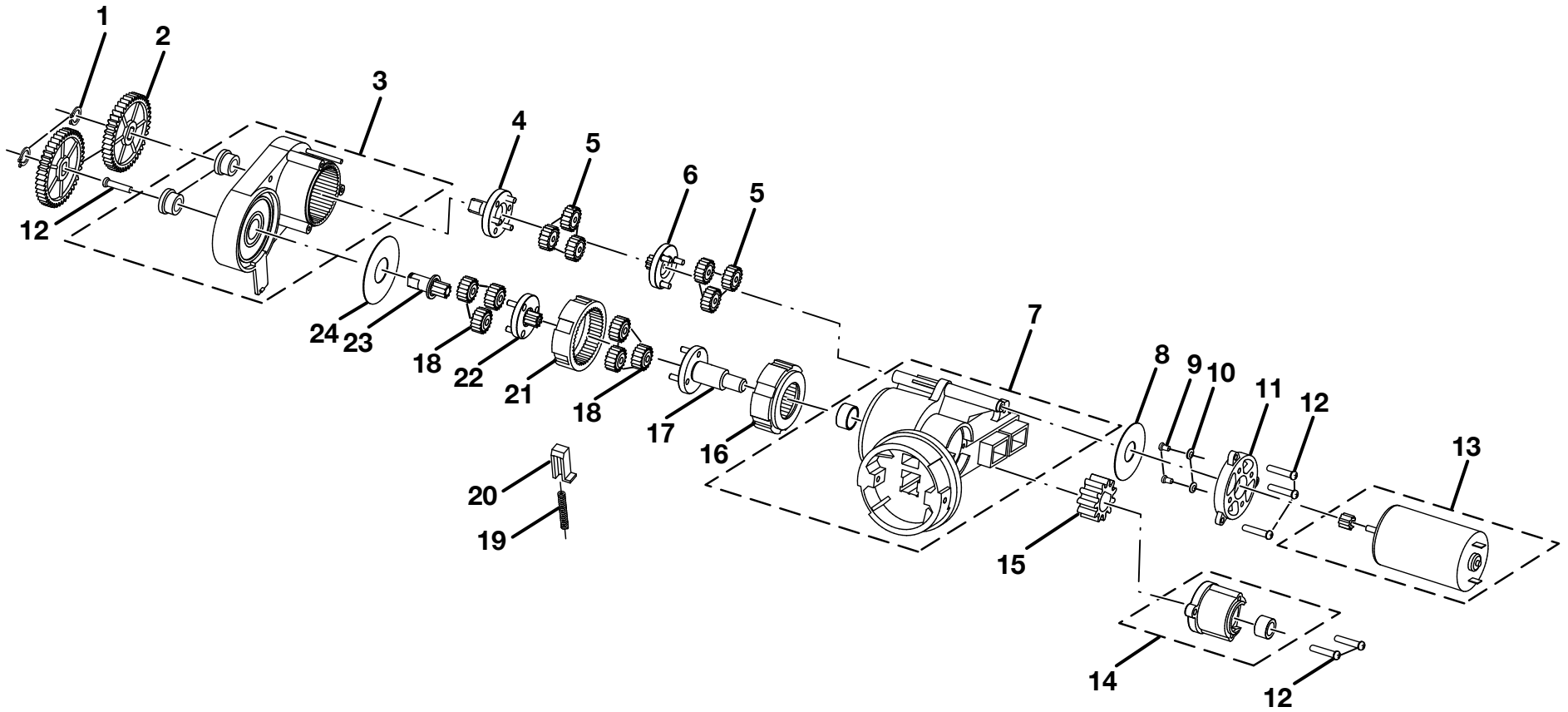


Figure B

## RYOBI 18 VOLT DC CAULKING GUN – MODEL NUMBER P310G

The model number will be found on a label attached to the motor housing. Always mention the model number in all correspondence regarding your **CAULKING GUN** or when ordering repair parts.

### PARTS LIST

KEY NO.	PART NUMBER	DESCRIPTION	QTY
1	670608001	C-Ring .....	2
2	512795001	Shift Gear .....	2
3	300215004	Gear Case Assembly .....	1
4	671575001	Carrier .....	1
5	512793001	Planetary Gear .....	6
6	610463001	Solar Gear.....	1
7	300114019	Gear Train Housing Assembly .....	1
8	671577001	Washer.....	1
9	6621106	Screw (M3 x 6 mm, Pan Hd.).....	2
10	6702801	Spring Washer .....	2
11	512792001	Motor Bracket.....	1
12	660010003	Screw (M3 x 16 mm, Pan Hd.).....	6
13	230074007	Motor Assembly .....	1
14	300763002	Gear Housing Cover Assembly .....	1
15	610459001	Gear .....	1
16	512796001	Ring Gear .....	1
17	620354001	Carrier Shaft .....	1
18	610461001	Planetary Gear.....	6
19	671590001	Spring .....	1
20	671576001	Clutch .....	1
21	610462001	Ring Gear .....	1
22	610464001	Solar Gear.....	1
23	620355001	Gear Shaft .....	1
24	680574001	Washer.....	1

**Not Shown:**

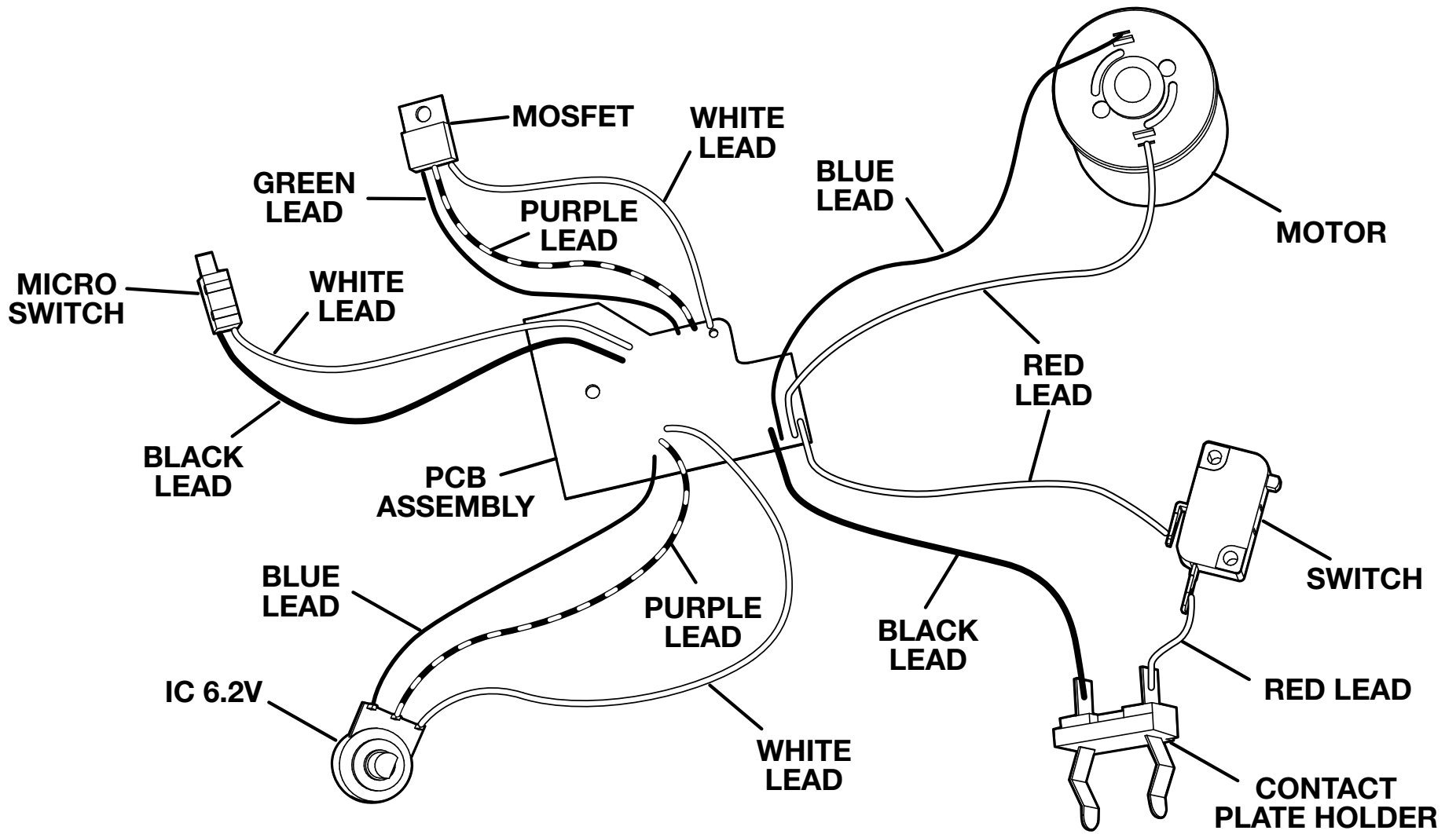
983000592

Operator's Manual (961152325)

8-12-14

(Rev:01)

RYOBI 18 VOLT DC CAULKING GUN - MODEL NUMBER P310G



WIRING DIAGRAM