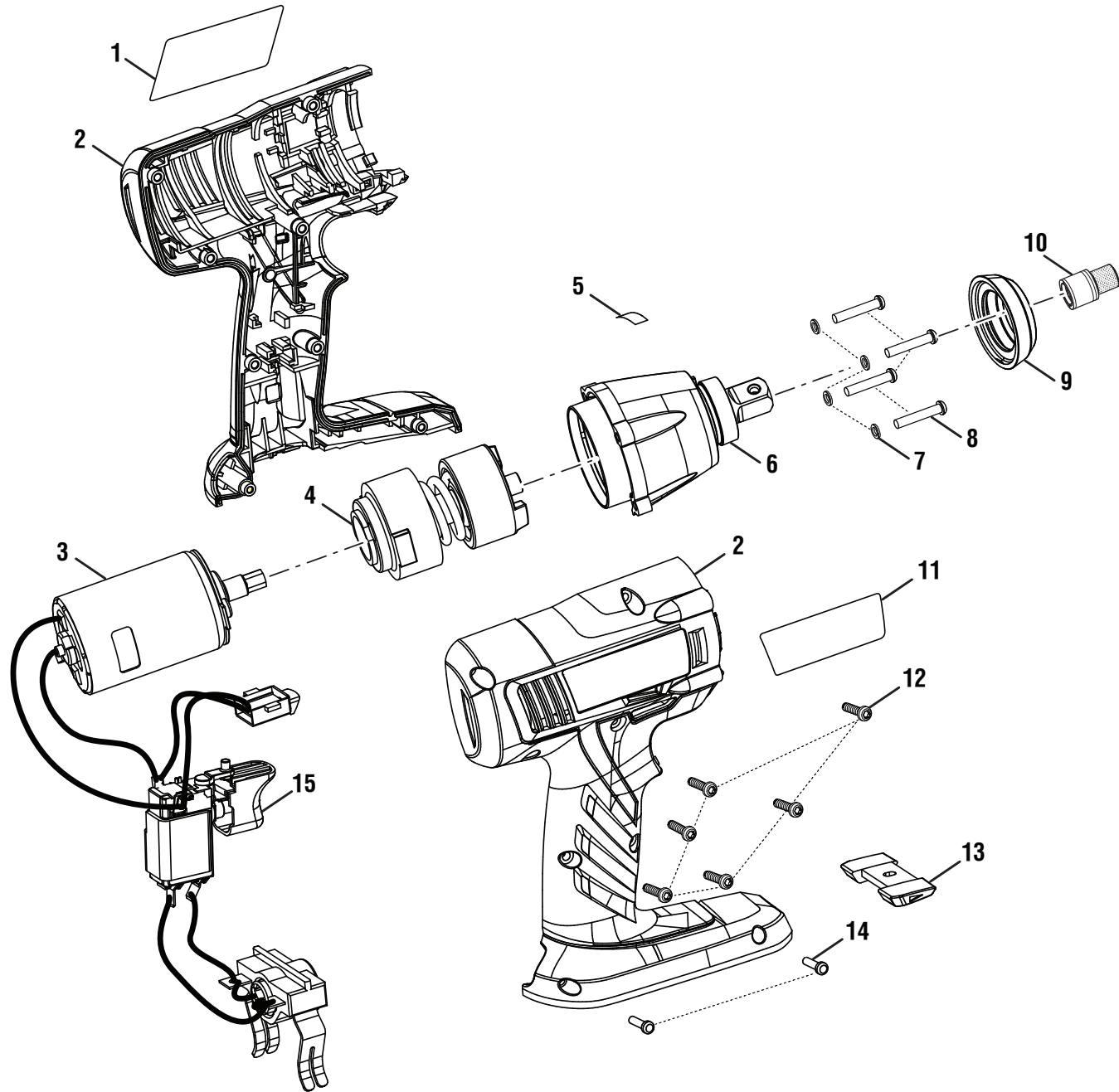


RYOBI 18 VOLT IMPACT WRENCH – MODEL NUMBER P260



RYOBI 18 VOLT IMPACT WRENCH – MODEL NUMBER P260

The model number will be found on a label attached to the motor housing. Always mention the model number in all correspondence regarding your **18 VOLT IMPACT WRENCH** or when ordering parts.

PARTS LIST

KEY NO.	PART NUMBER	DESCRIPTION	QTY	KEY NO.	PART NUMBER	DESCRIPTION	QTY
1	940304497	Logo Label.....	1	10	670772002	¼ in. Quick Connect Coupler	1
2	201666001	** Housing Assembly (Use with Best Vincent Switch).....	1	11	940976506	Data Label.....	1
	303587001	** Housing Assembly (Use with Marquardt Switch)	1	12	660024049	Screw (M4 x 16 mm).....	6
3	230247001	Motor Assembly.....	1	13	519289005	Forward/Reverse Button.....	1
4	220036005	Gear Train & Hammer Assembly.....	1	14	660031011	Screw (M3.5 x 16 mm).....	2
5	940221063	Warning Label	1	15	270013008	** Switch Assembly (Best Vincent Switch)	1
6	301216014	Gear Box w/Anvil Assembly	1		270061002	** Switch Assembly (Marquardt Switch).....	1
7	670030004	Washer Ring (OD 7.2 x ID 4.1 x 1.0 mm)	4	Not Shown:			
8	660133015	Screw (M4 x 20 mm).....	4		987000672	Operator's Manual (961067120)	
9	562393001	Rubber Cap	1		3-6-12		
					(Rev:05)		

**** Housing Assembly 20166001 Must Be Used With Best Vincent Switch 270013008 Or Housing Assembly 303587001 Must Be Used With Marquardt Switch Assembly 270061002. They Will Not Interchange With Each Other.**