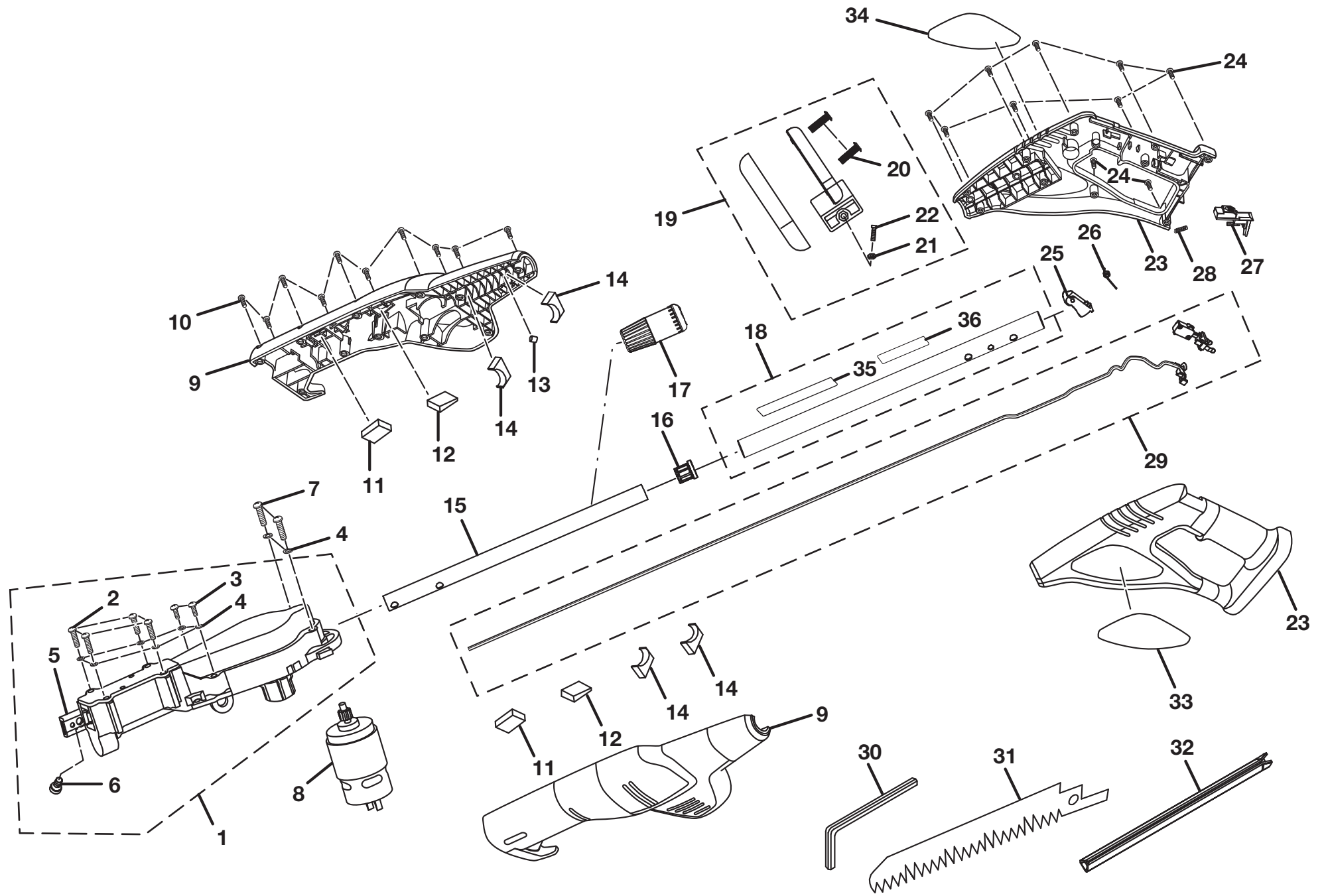


RYOBI 18 VOLT POLE PRUNER - MODEL NUMBER P2500



RYOBI 18 VOLT POLE PRUNER – MODEL NUMBER P2500

The model number will be found on a plate attached to the motor housing. Always mention the model number in all correspondence regarding your **HEDGE TRIMMER** or when ordering repair parts.

PARTS LIST

KEY NO.	PART NUMBER	DESCRIPTION	QTY	KEY NO.	PART NUMBER	DESCRIPTION	QTY
1	2201613	GEAR BOX ASSEMBLY (INC. KEY NOS. 2-6)	1	20	6620501	* SCREW (M3 X 14 mm)	4
2	660165010	* SCREW (M4 X 18 mm)	4	21	6819602	* HEX NUT (M6)	1
3	660212049	* SCREW (M4 X 12 mm)	2	22	660169039	* SCREW (M6 X 1.0)	1
4	6703001	SPRING WASHER	8	23	200181021	HOUSING ASSEMBLY	1
5	6904001	MOUNTING CLAMP	1	24	6620606	* SCREW (M3.5 X 16 mm)	10
6	660169227	* SCREW (M6) WITH SPRING WASHER	1	25	5205506	TRIGGER	1
7	6621215	* SCREW (M4 X 28 mm)	2	26	6794201	TRIGGER SPRING	1
8	2307403	MOTOR ASSEMBLY	1	27	5912701	TRIGGER LOCK	1
9	200205005	MOTOR HOUSING ASSEMBLY	1	28	670703001	COMPRESSION SPRING	1
10	6620805	* SCREW (M4 X 16 mm)	10	29	2701511	SWITCH ASSEMBLY	1
11	5670301	FRONT ISOLATION BLOCK	2	30	6800201	HEX KEY (5 mm)	1
12	5672301	CENTER ISOLATION BLOCK	2	31	6968001	BLADE	1
13	560219003	RUBBER SEAL	1	32	5944401	BLADE COVER	1
14	5688401	REAR ISOLATION BLOCK	4	33	940015124	LOGO LABEL	1
15	6959801	UPPER SHAFT (23 mm X 613 mm)	1	34	940304305	DATA LABEL	1
16	590645001	TUBE STOPPER	1	35	940006163	WARNING LABEL	1
17	200207002	CONNECTING CAP ASSEMBLY	1	36	940006164	DATA WARNING LABEL	1
18	300909008	TUBE ASSEMBLY (26 mm X 584 mm) (INC. KEY NOS. 35 AND 36)	1		983000845	OPERATOR'S MANUAL (960009267)	
19	200206002	HANDLE ASSEMBLY (INC. KEY NOS. 20-22)	1		01-05-07 (REV:01)		

WARNING: Improper repair of a double insulated tool can result in damage to the double insulation system possibly causing electrical shock or electrocution. Any repairs requiring disassembly of your tool requires safety testing and should only be performed by a Ryobi Authorized Service Center. For the service center nearest you call 1-800-860-4050.

* STANDARD HARDWARE ITEM – MAY BE PURCHASED LOCALLY