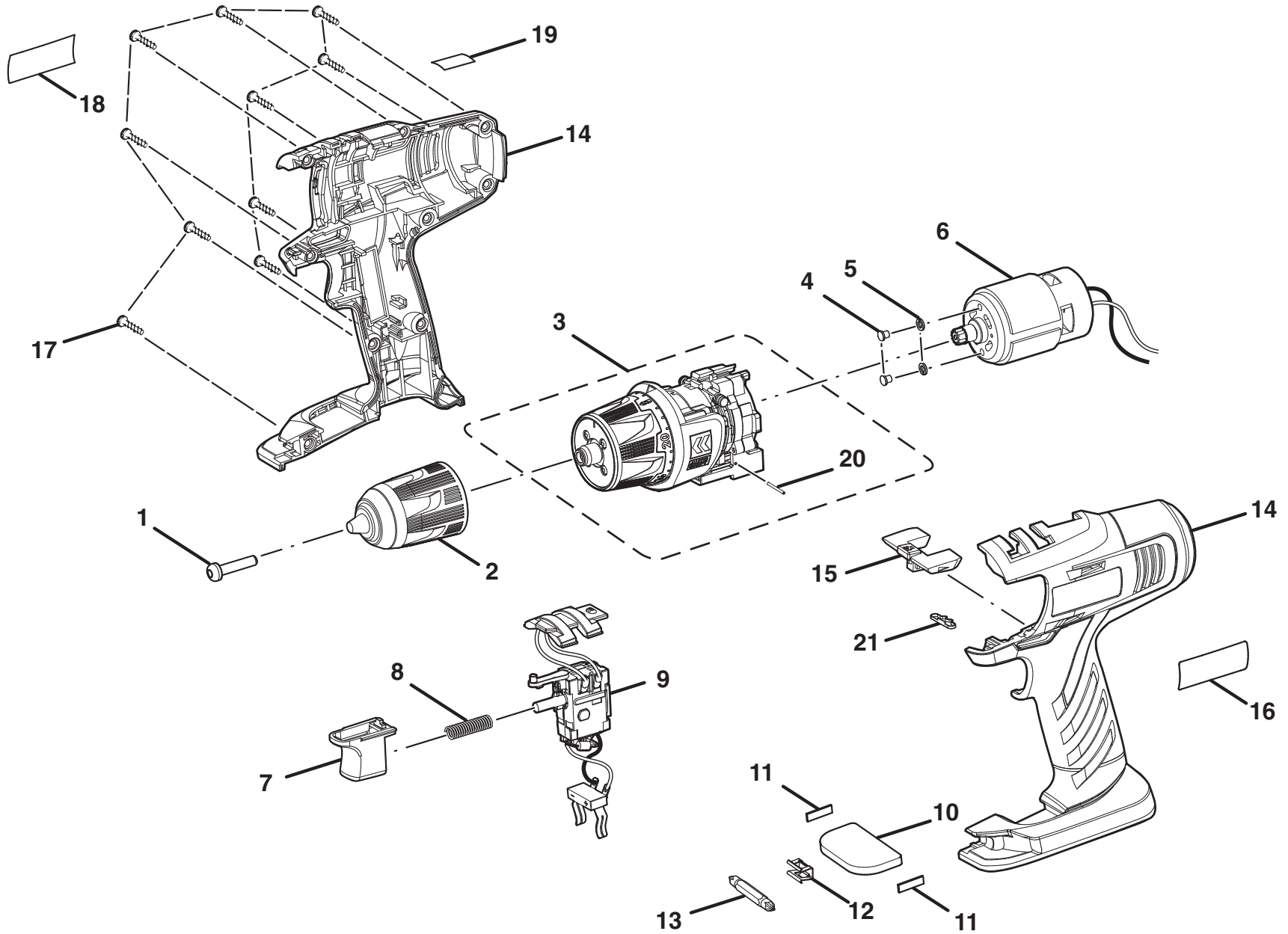


RYOBI 18 VOLT AUTOSHIFT DRILL – MODEL NUMBER P250



## RYOBI 18 VOLT AUTOSHIFT DRILL – MODEL NUMBER P250

The model number will be found on a plate attached to the motor housing. Always mention the model number in all correspondence regarding your **AUTOSHIFT DRILL** or when ordering repair parts.

### PARTS LIST

KEY NO.	PART NUMBER	DESCRIPTION	QTY	KEY NO.	PART NUMBER	DESCRIPTION	QTY
1	6613402	SCREW (M6 x 27 mm, LEFT HANDED) .....	1	12	6320601	BIT CLIP .....	1
2	690033084	CHUCK.....	1	13	6782045	DOUBLE ENDED BIT (#2 PHILLIPS HD. & 6 mm SLOTTED) .....	1
3	302969001	CLUTCH CAP and GEAR TRAIN ASSEMBLY (INC. KEY NO. 20) .....	1	14	302968001	HOUSING ASSEMBLY .....	1
4	660212001	SCREW (M4 x 6 mm) .....	2	15	302901001	FORWARD/REVERSE SELECTOR.....	1
5	670030004	SPRING WASHER .....	2	16	940114178	LOGO LABEL .....	1
6	230219001	MOTOR and PINION ASSEMBLY .....	1	17	660031012	SCREW (M3.5 x 14 mm).....	10
7	516393001	TRIGGER .....	1	18	940976336	DATA LABEL.....	1
	516393003	TRIGGER (BC).....	1	19	940001149	SHIFT ICON LABEL .....	1
8	672626001	TRIGGER SPRING .....	1	20	672248001	HOLD PIN.....	1
9	270001410	SWITCH ASSEMBLY .....	1	21	632774003	SPRING PLATE.....	1
	270001423	SWITCH ASSEMBLY (BC) .....	1				
10	300823003	MAGNET .....	1				
11	560444002	FOAM RUBBER .....	2				
					<b>Not Shown:</b>		
					130155001	BATTERY PACK.....	1
					987000412	OPERATOR'S MANUAL (961022031)	
					09-23-09		
					(REV:04)		