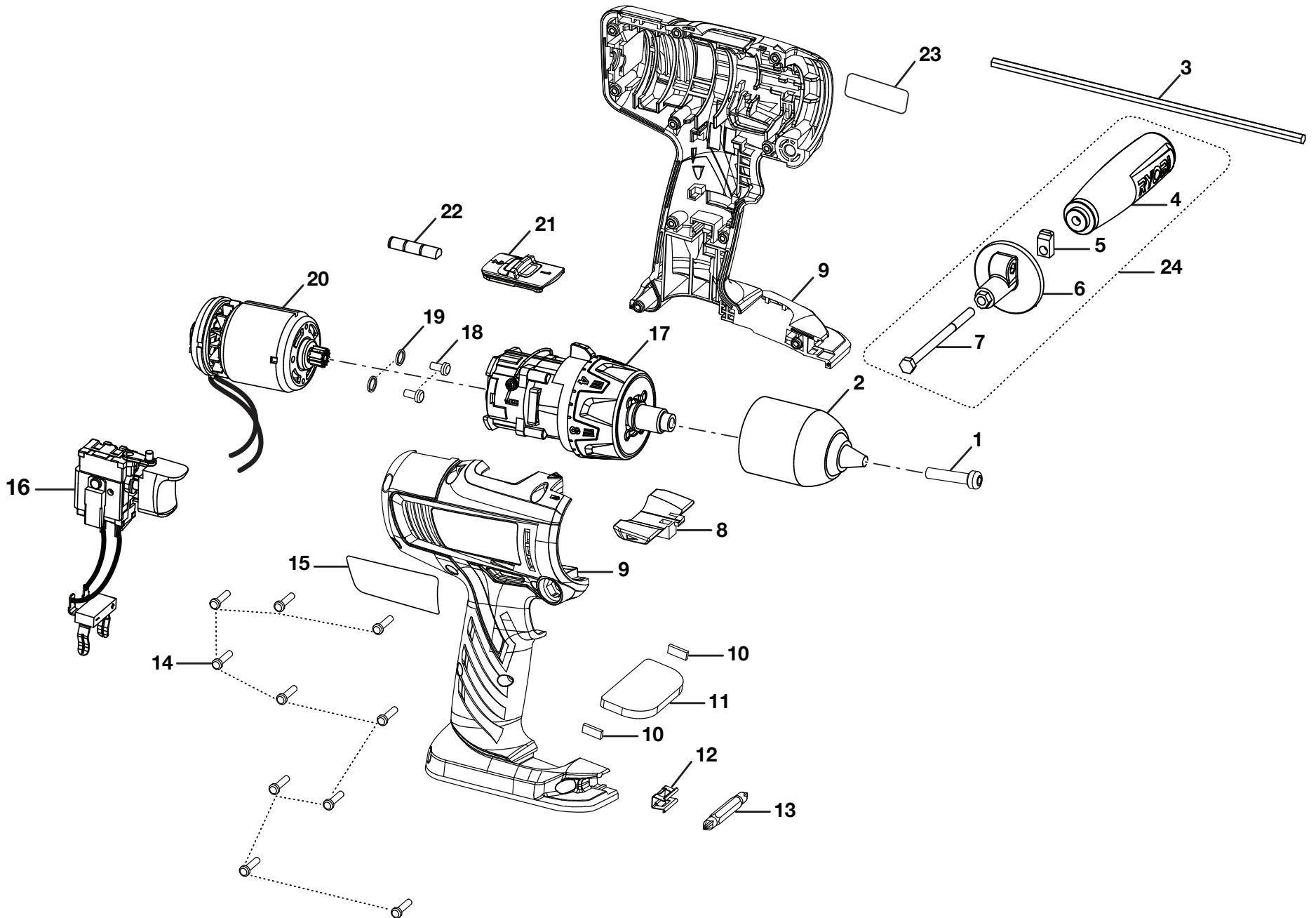


RYOBI COMPACT 18 VOLT HAMMER DRILL - MODEL NUMBER P212G



RYOBI COMPACT 18 VOLT HAMMER DRILL – MODEL NUMBER P212G

The model number will be found on a label attached to the motor housing. Always mention the model number in all correspondence regarding your **COMPACT 18 VOLT HAMMER DRILL** or when ordering parts.

PARTS LIST

KEY NO.	PART NUMBER	DESCRIPTION	QTY	KEY NO.	PART NUMBER	DESCRIPTION	QTY
1	6613402	Screw (M6 x 27 mm).....	1	14	660031012	Screw (M3.5 x 14 mm).....	10
2	670764001	Chuck.....	1	15	940032113	Data Label.....	1
3	630412010	Depth Stop Rod.....	1	16	270001487	Switch Assembly	1
4	303560002	Auxiliary Handle	1	17	303724002	Clutch Cap & Gear Box Assembly.....	1
5	631524001	Washer.....	1	18	660212005	Screw (M4 x 8 mm).....	2
6	513724002	Handle Front	1	19	670030004	Washer (OD 7.2 x ID 4.1 x 1 mm)	2
7	660142017	Screw (M6 x 90 mm).....	1	20	230298001	Motor Assembly.....	1
8	520413002	Forward/Reverse Button.....	1	21	520414002	Gear Change Knob	1
9	303725002	Housing Assembly	1	22	303433002	Level Assembly.....	1
10	560444002	Foam Rubber (23 x 4 x 2 mm)	2	23	940114178	Logo Label.....	1
11	300823003	Magnet (56 x 30 x 5 mm).....	1	24	303570001	Auxiliary Handle Assembly (Inc. Key Nos. 4–7).....	1
12	630206007	Bit Clip	1				
13	6782045	Double Ended Bit (#2 Philips Head/#6 Slotted x 50 mm)	1				
					Not Shown:		
					987000811	Operator's Manual (961067326)	
					2-18-13 (REV:02)		