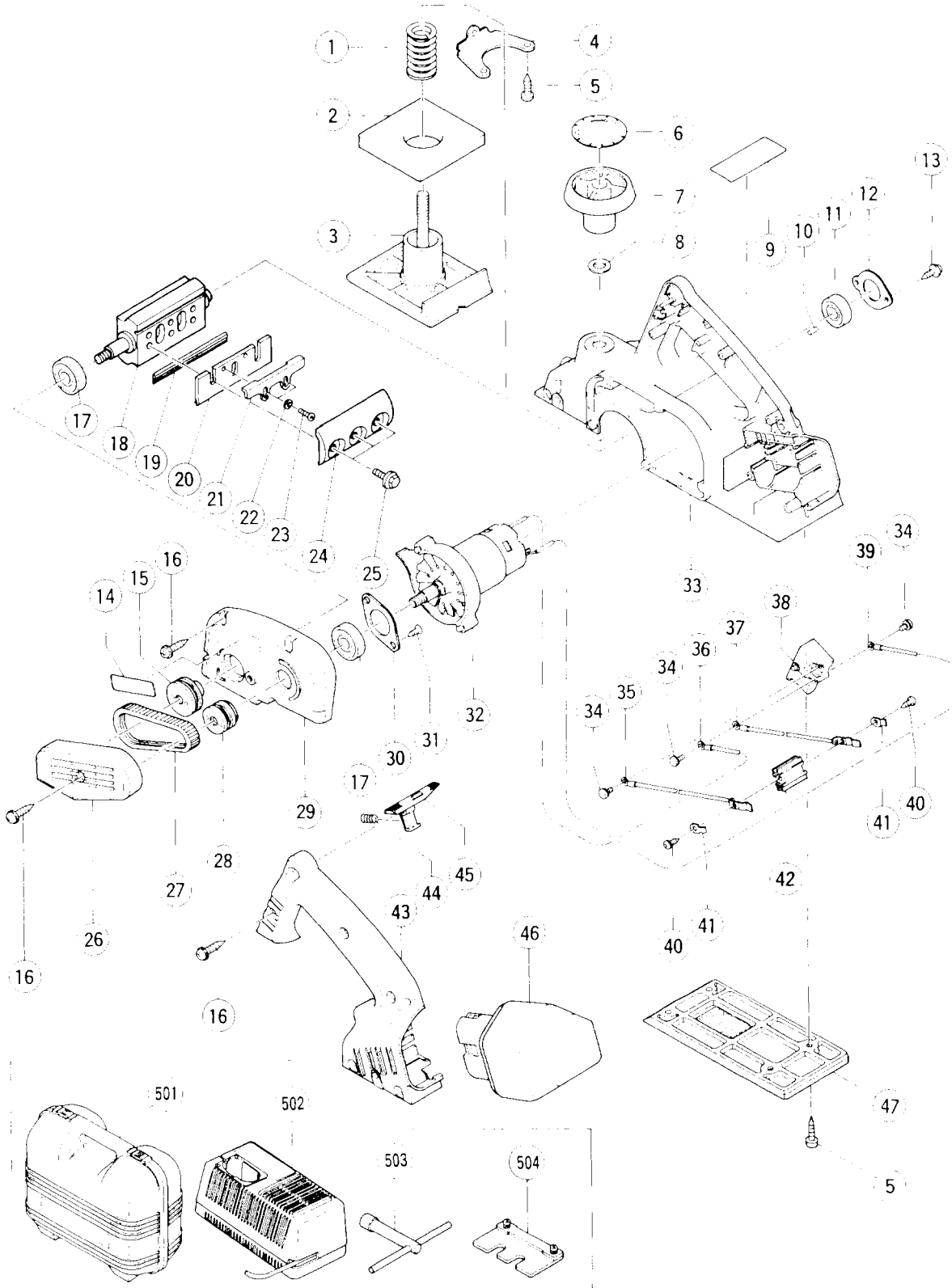


## ELECTRIC TOOL PARTS LIST

■ CORDLESS PLANER  
Model P 20DA

1998·11·20  
(E1)



## PARTS

P 20DA

ITEM NO.	CODE NO.	DESCRIPTION	NO. USED	REMARKS
1	958-709	SPRING	1	
2	958-708	RUBBER PACKING	1	
3	958-707	FRONT BASE	1	
4	958-945	SCREW PLATE	1	
5	954-004	TAPPING SCREW D4X16	5	
6		SCALE	1	
* 7	317-271	KNOB ASS'Y	1	INCLUD.6
* 7	317-274	KNOB ASS'Y	1	INCLUD.6 FOR USA,CAN
8	949-434	BOLT WASHER M10 (10 PCS.)	1	
9		NAME PLATE	1	
10	931-701	BEARING LOCK	1	
11	600-0VV	BALL BEARING 6000VVCMP2S	1	
12	314-294	BEARING COVER	1	
13	314-295	FLAT HD. TAPPING SCREW D4X12	2	
14		HITACHI LABEL	1	
15	314-297	PULLEY (B)	1	
16	307-028	TAPPING SCREW (W/FLANGE) D4X25 (BLACK)	11	
17	620-0VV	BALL BEARING 6200VVCMP2S	2	
18	316-397	CUTTER BLOCK ASS'Y	1	INCLUD.11,17
19	879-418	PLANER BLADES (1 PAIR)	2	
20	314-740	SET PLATE (B) (1 PAIR)	2	
21	314-754	SET PLATE (A)	2	
22	949-423	WASHER M4 (10 PCS.)	4	
23	949-213	MACHINE SCREW M4X5 (10 PCS.)	4	
24	316-398	BLADE HOLDER	1	
25	990-669	BOLT (W/WASHER) M6X18	6	
26	316-402	BELT COVER (B)	1	
27	314-298	BELT	1	
28	314-296	PULLEY (A)	1	
29	314-302	END BRACKET	1	
30	314-301	BEARING COVER	1	
31	309-470	TAPPING SCREW (W/FLANGE) D4X12 (BLACK)	2	
32	314-288	MOTOR WITH FAN	1	
33	314-303	HOUSING	1	
34	307-887	MACHINE SCREW (W/WASHER) M3.5X6	3	
35	314-290	TERMINAL (BROWN)	1	
36	317-272	INTERNAL WIRE	1	
37	314-291	TERMINAL (BLUE)	1	
38	980-061	SWITCH (1P SCREW TYPE) W/O LOCK	1	
39	317-273	INTERNAL WIRE	1	
40	958-715	TAPPING SCREW D4X10	2	
41	996-118	HOLDER SPRING	2	
42	308-037	TERMINAL PIECE	1	
43	314-304	HANDLE	1	
44	301-631	SPRING (F)	1	
45	314-299	KNOB	1	
* 46	310-378	BATTERY EB 12B (W/ENGLISH N.P.)	1	
* 46	310-453	BATTERY EB 12B (W/ENGLISH N.P.)	1	FOR USA.CAN
48	940-633	REAR BASE	1	

\* : ALTERNATIVE PARTS

11 - 98



