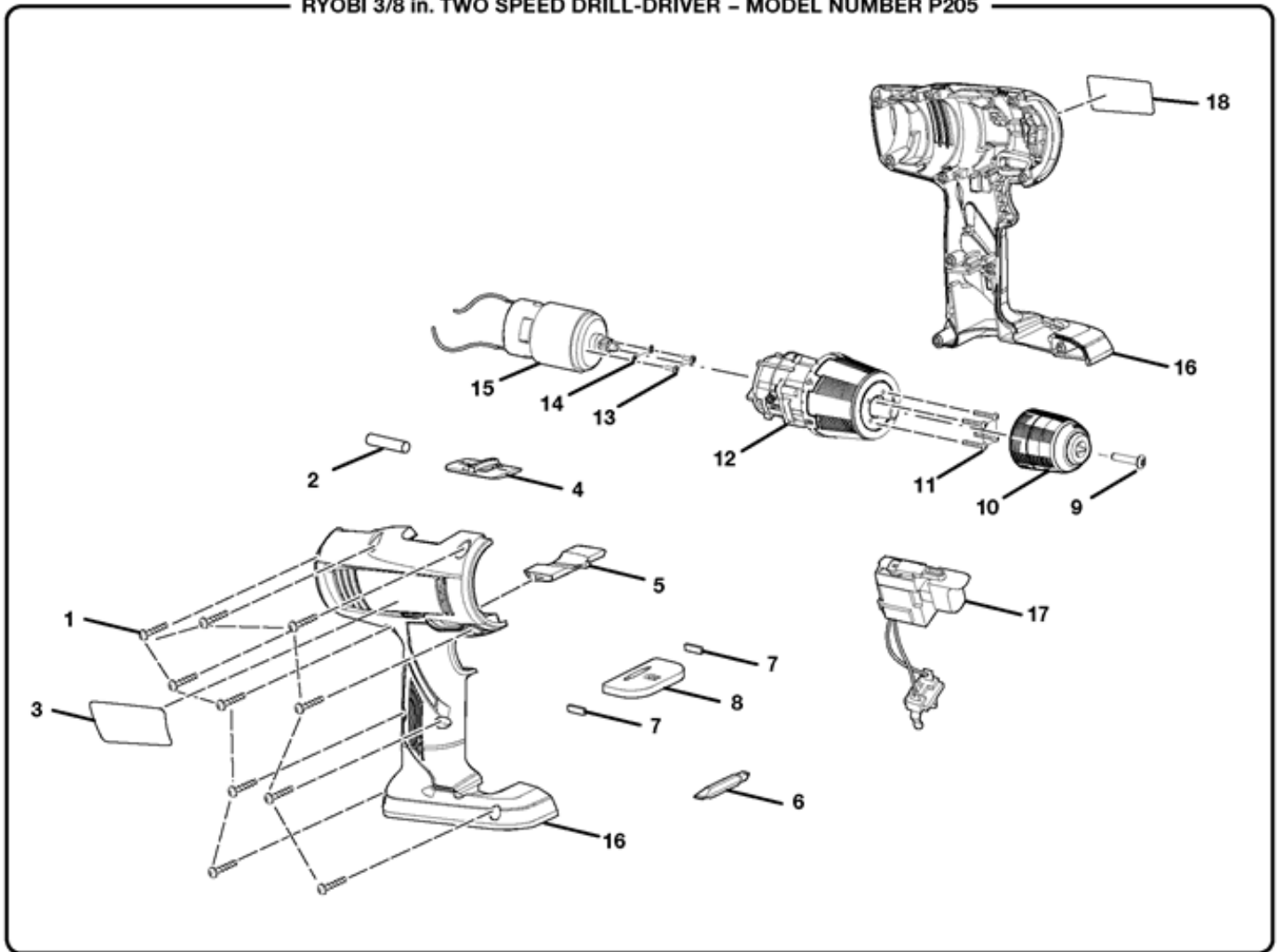


RYOBI 3/8 in. TWO SPEED DRILL-DRIVER - MODEL NUMBER P205



<b>Ref #</b>	<b>Part #</b>	<b>Description</b>	<b>Qty</b>	<b>Context Note</b>	<b>Foot Note</b>
1	6620614	SCREW (M3.5 x 14 mm)	10		
2	3000907	Level ASSEMBLY	1		
3	940976303	DATA LABEL	1		
4	343318002	Gear Change Button	1		
5	340901001	FORWARD/REVERSE SELECTOR	1		
6	6782044	DOUBLE ENDED BIT (#3 PHILLIPS HD. & 7 mm SLOTTED)	1		
7	560444002	FOAM RUBBER	2		
8	300823005	MAGNET	1		
9	6612003	SCREW (M5 x 18.5 mm, Left HandED)	1		
10	690033091	CHUCK	1		
11	660203069	SCREW (M3 x 20 mm)	4		
12	200782001	CLUTCH CAP and GEAR TRAIN ASSEMBLY	1		
13	6621202	SCREW (M4 x 10 mm)	2		
14	6703001	SPRING WASHER	2		
15	230033141	MOTOR and PINION ASSEMBLY	1		
16	200773001	HOUSING ASSEMBLY	1		
17	270001456	SWITCH ASSEMBLY	1		
18	940114155	LOGO LABEL	1		
	987000375	OPERATOR'S MANUAL (961022040)			