

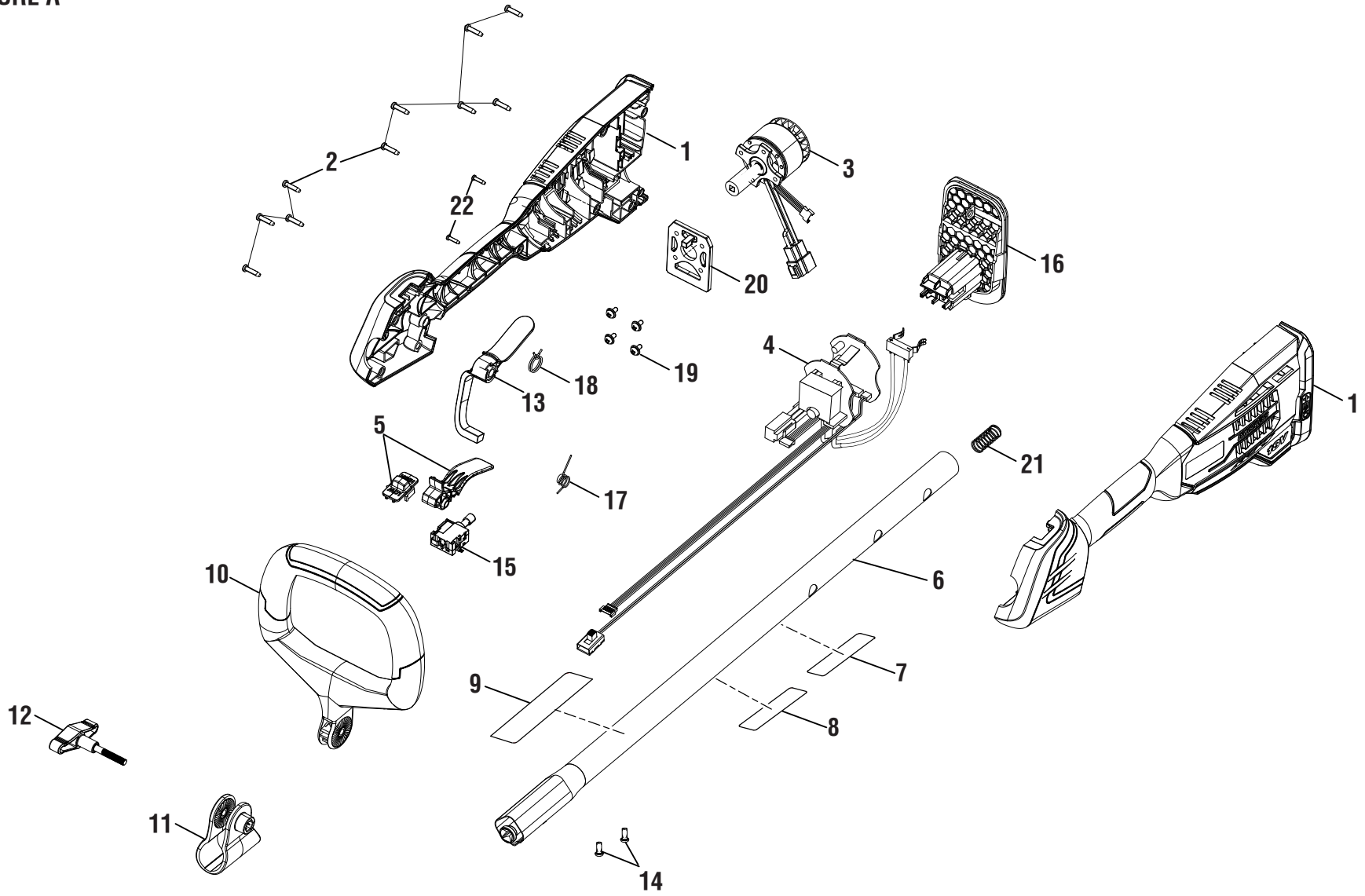
RYOBI
Cordless String Trimmer
Item No. P2009
Model No. 107291001
Repair Sheet

TECHTRONIC INDUSTRIES POWER EQUIPMENT

P.O. Box 1288, Anderson, SC 29622 USA
1-800-860-4050 • www.ryobitools.com

RYOBI CORDLESS STRING TRIMMERS – ITEM NUMBER P2009

FIGURE A



RYOBI CORDLESS STRING TRIMMERS – ITEM NUMBER P2009

The model number will be found on a label attached to the upper boom. Always mention the model number in all correspondence regarding your **STRING TRIMMER** or when ordering replacement parts.

PARTS LIST (FIGURE A)

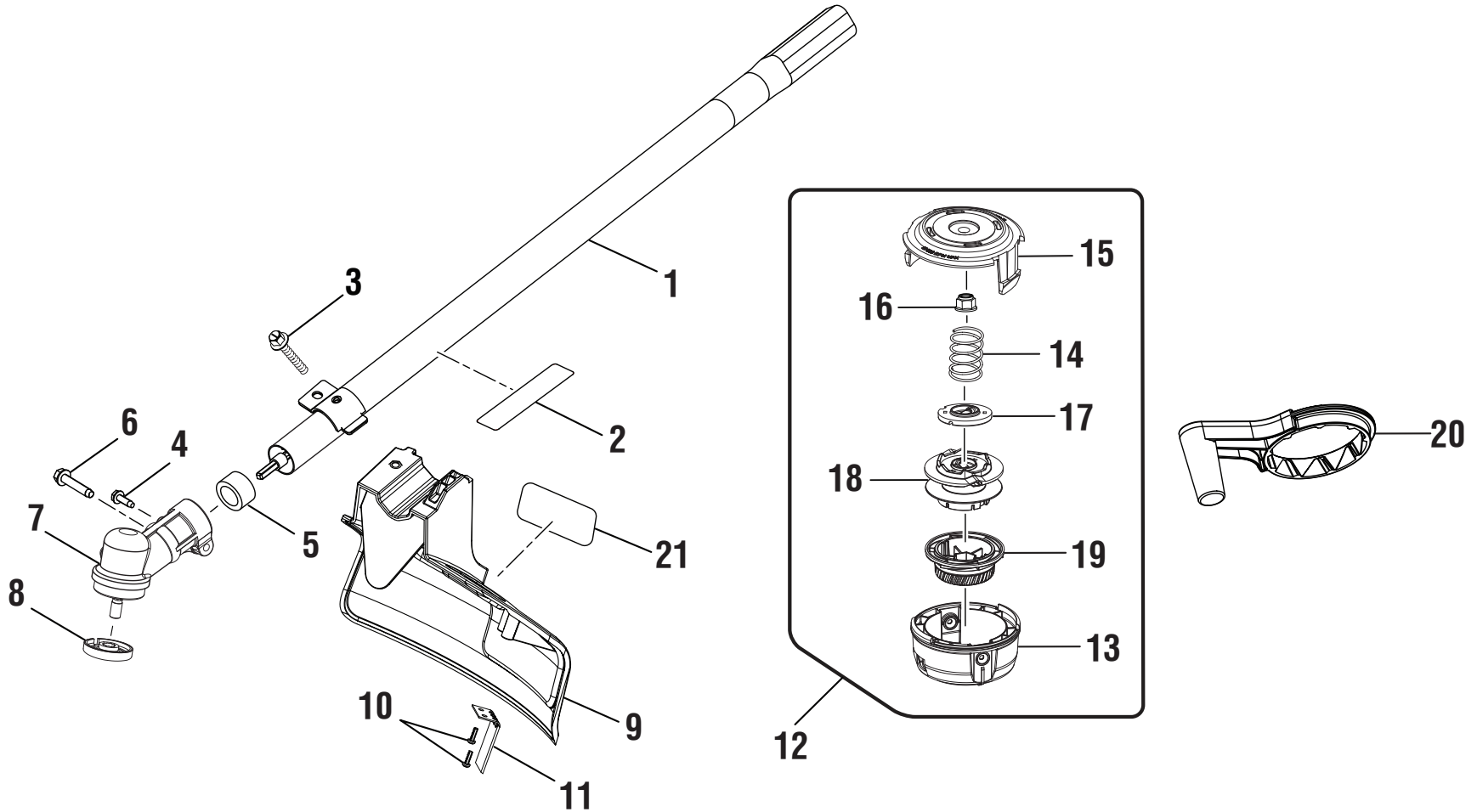
KEY NO.	PART NUMBER	DESCRIPTION	QTY
1	205004001	Rear Handle Assembly	1
2	T662028001	Screw (M4 x 16 mm).....	10
3	311291004	Motor Assembly.....	1
4	311291005	Electric Controller and Switch Assembly.....	1
5	205007001	Trigger Assembly	1
6	205003001	Upper Boom Assembly (Inc. Key Nos. 7-9).....	1
7	940006271	Warning Label (Fr/Sp)	1
8	940028036	Data Label	1
9	940657185	Warning Icon Label.....	1
10	523409001	Front Handle	1
11	205006001	Handle Bracket Assembly (Inc. Key No. 12).....	1
12	313559001	Knob Assembly (M6).....	1
13	532076005	Lock-Off Trigger	1
14	660502002	Screw w/Washer (M5 x 11 mm, Pan Hd.).....	2
15	760952002	Variable Speed Switch.....	1
16	534208001	Battery Foot.....	1
17	698420001	Torsion Spring.....	1
18	698399001	Torsion Spring.....	1
19	661861001	Screw (M4 x 8 mm).....	4
20	532076007	Motor Plate	1
21	679065001	Compression Spring	1
22	660203001	Screw (M3 x 8 mm, Pan Hd.).....	2
	NOT SHOWN		
	998000054	Operator's Manual	
	11-1-19		
	(Rev:09)		

* Standard Hardware Item – May Be Purchased Locally at The Home Depot

RYOBI CORDLESS STRING TRIMMERS – ITEM NUMBER P2009

The model number will be found on a label attached to the upper boom. Always mention the model number in all correspondence regarding your **STRING TRIMMER** or when ordering replacement parts.

FIGURE B



* Standard Hardware Item – May Be Purchased Locally at The Home Depot

RYOBI CORDLESS STRING TRIMMERS – ITEM NUMBER P2009

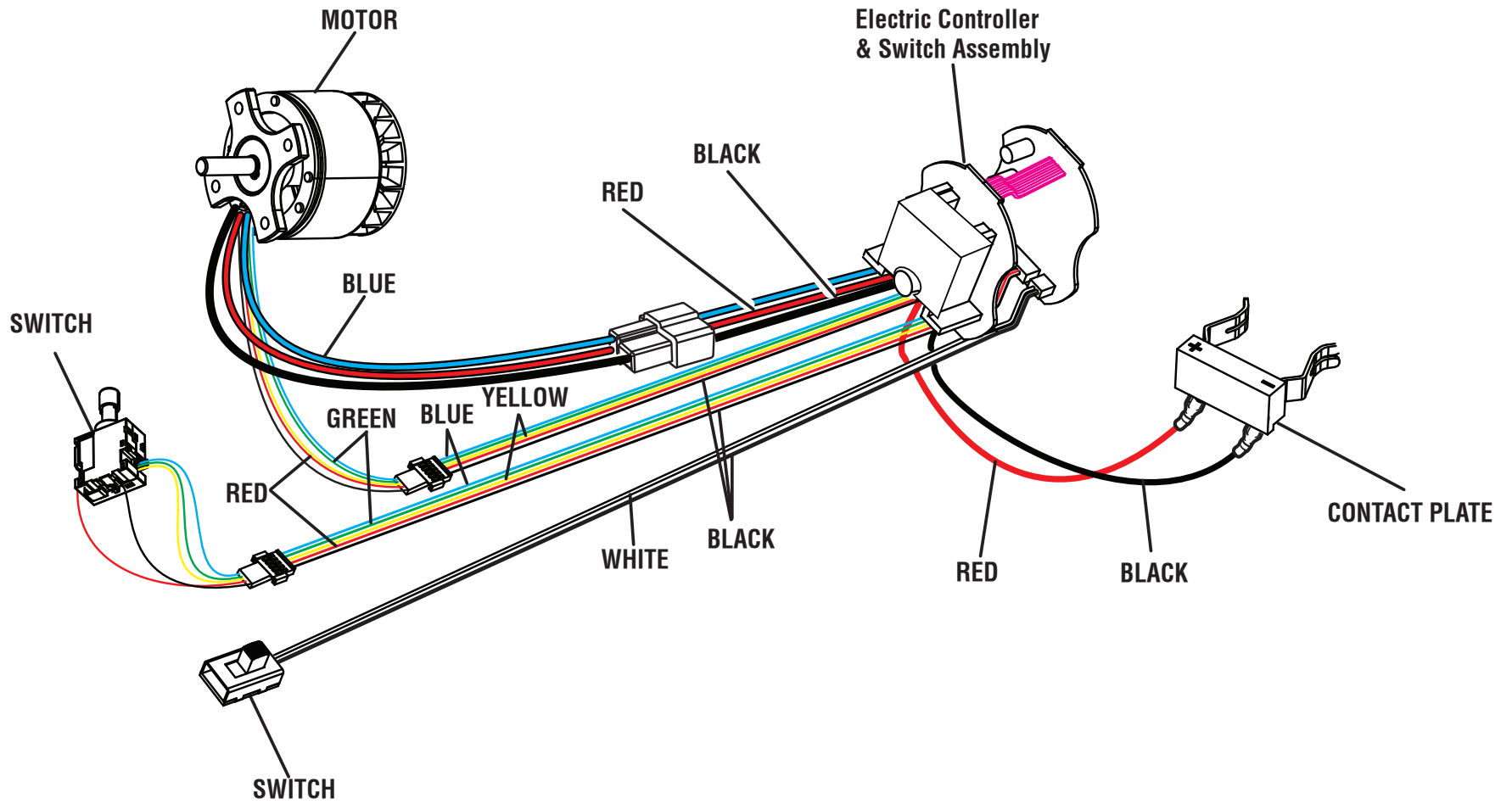
The model number will be found on a label attached to the upper boom. Always mention the model number in all correspondence regarding your **STRING TRIMMER** or when ordering replacement parts.

PARTS LIST (FIGURE B)

KEY NO.	PART NUMBER	DESCRIPTION	QTY
1	205002001	Lower Boom Assembly (Inc. Key No. 2)	1
2	940020025	Logo Label (Shaft)	1
3	660738002	Screw (1/4-20 x 3/4 in., Hex Washer Hd.)	1
4	660641001	Screw (10-24 x 5/8 in., Hex Washer Hd.)	1
5	518367001	Spacer	1
6	660642001	Screw (1/4-20 x 3/4 in., Hex Washer Hd.)	1
7	308210009	Gear Head Assembly.....	1
8	678011001	Flanged Washer.....	1
9	205005001	Grass Deflector Assembly (Inc. Key Nos. 3, 10-11 & 21).....	1
10	660208055	Screw (M4 x 12 mm).....	2
11	637849001	Line Cut-Off Blade.....	1
12	313318001	Trimmer Head Assembly (.080) (Inc. Key Nos. 13-19)	1
13	530366001	Lower Housing.....	1
14	678749001	Spring	1
15	530001004	Upper Housing	1
16	662568002	Hex Flange Nut (M8, Left Hand)	1
17	529803001	String Guide.....	1
18	530670001	Spool Assembly.....	1
19	530455002	Bump Knob (Green).....	1
20	312283001	Crank Handle.....	1
21	941020005	Logo Label (Guard).....	1

* Standard Hardware Item – May Be Purchased Locally at The Home Depot

RYOBI CORDLESS STRING TRIMMERS – ITEM NUMBER P2009



WIRING DIAGRAM