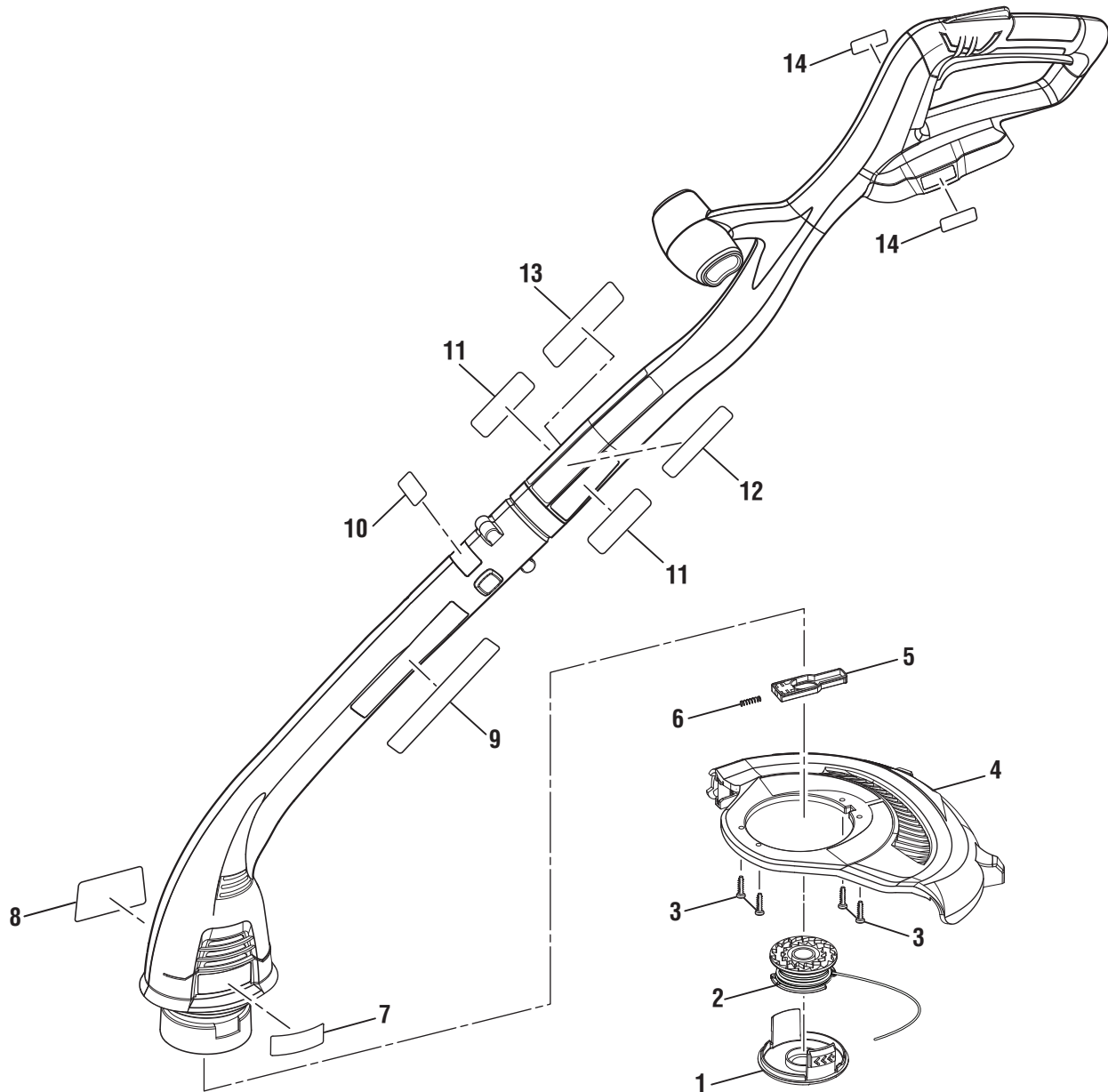


## RYOBI P2004 18 VOLT STRING TRIMMER

The model number will be found on a label attached to the motor housing. Always mention the model number in all correspondence regarding your **STRING TRIMMER** or when ordering replacement parts.



### PARTS LIST

Key Part No.	Number	Description	Qty.	Key Part No.	Number	Description	Qty.
1	522994001	Spool Cap (AC14HC).....	1	10	940820004	Pivoting Arrow Label .....	1
2	310917001	Spool w/Line (AC14RSL).....	1	11	941655007	Logo Label (Handle) .....	2
3	660208055	Screw (M4 x 12 mm, pan hd.) ...	4	12	940657108	Icon Label.....	1
4	311033001	Guard with Blade Assembly .....	1	13	941791002	Warning Label (French/Spanish).....	1
5	310918001	Slider Assembly.....	1	14	941759003	18V Lithium Ion Label.....	2
6	679034001	Compression Spring.....	1		<b>NOT SHOWN</b>		
7	941760001	Logo Label (Motor Housing).....	1		987000432	Battery/Charger Correlation Sheet	
8	941588036	Data Label .....	1		990000360	Operator's Manual	
9	941761002	Easy Edge Label.....	1				