

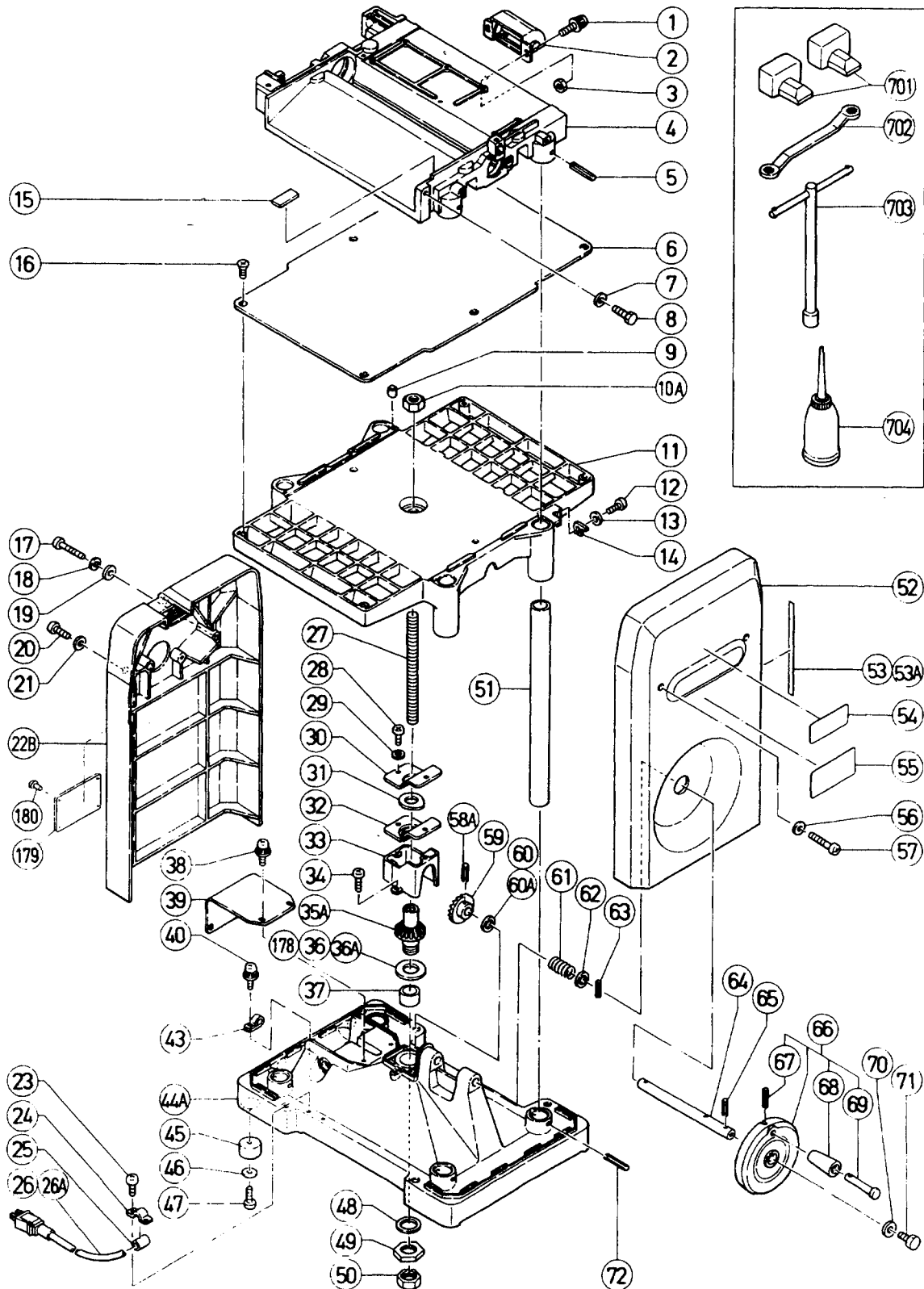
HITACHI

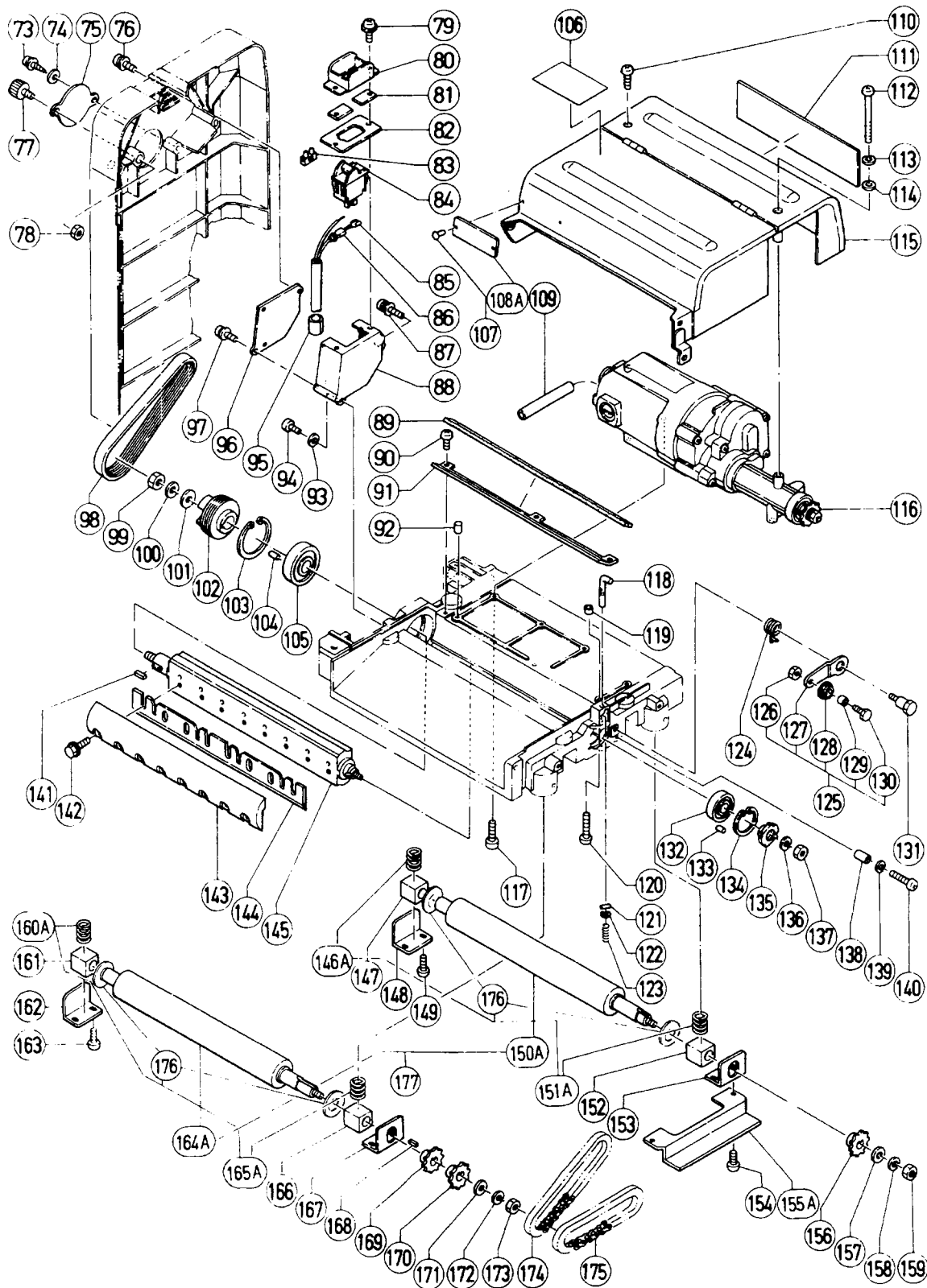
LIST NO. E913

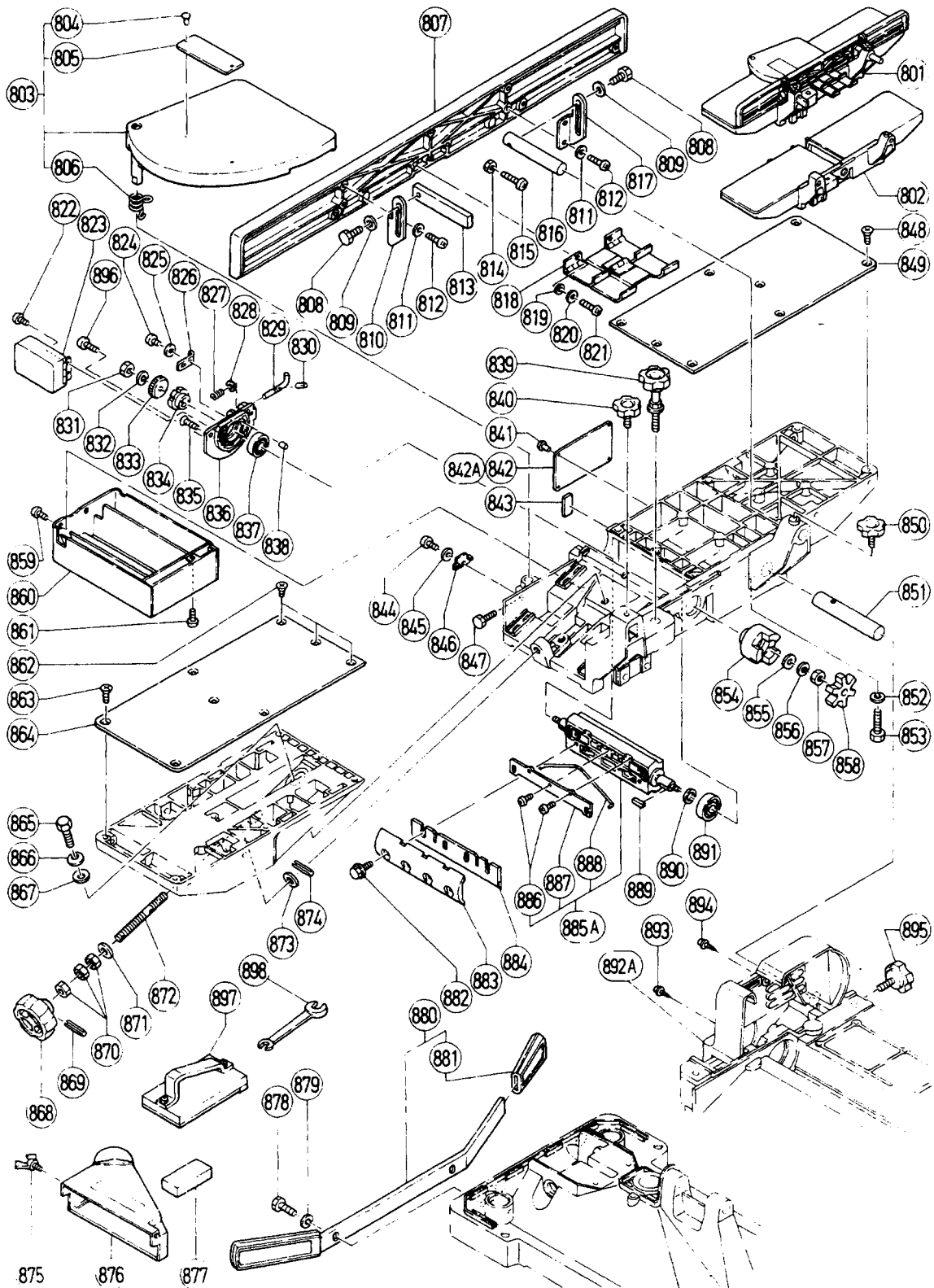
ELECTRIC TOOL PARTS LIST

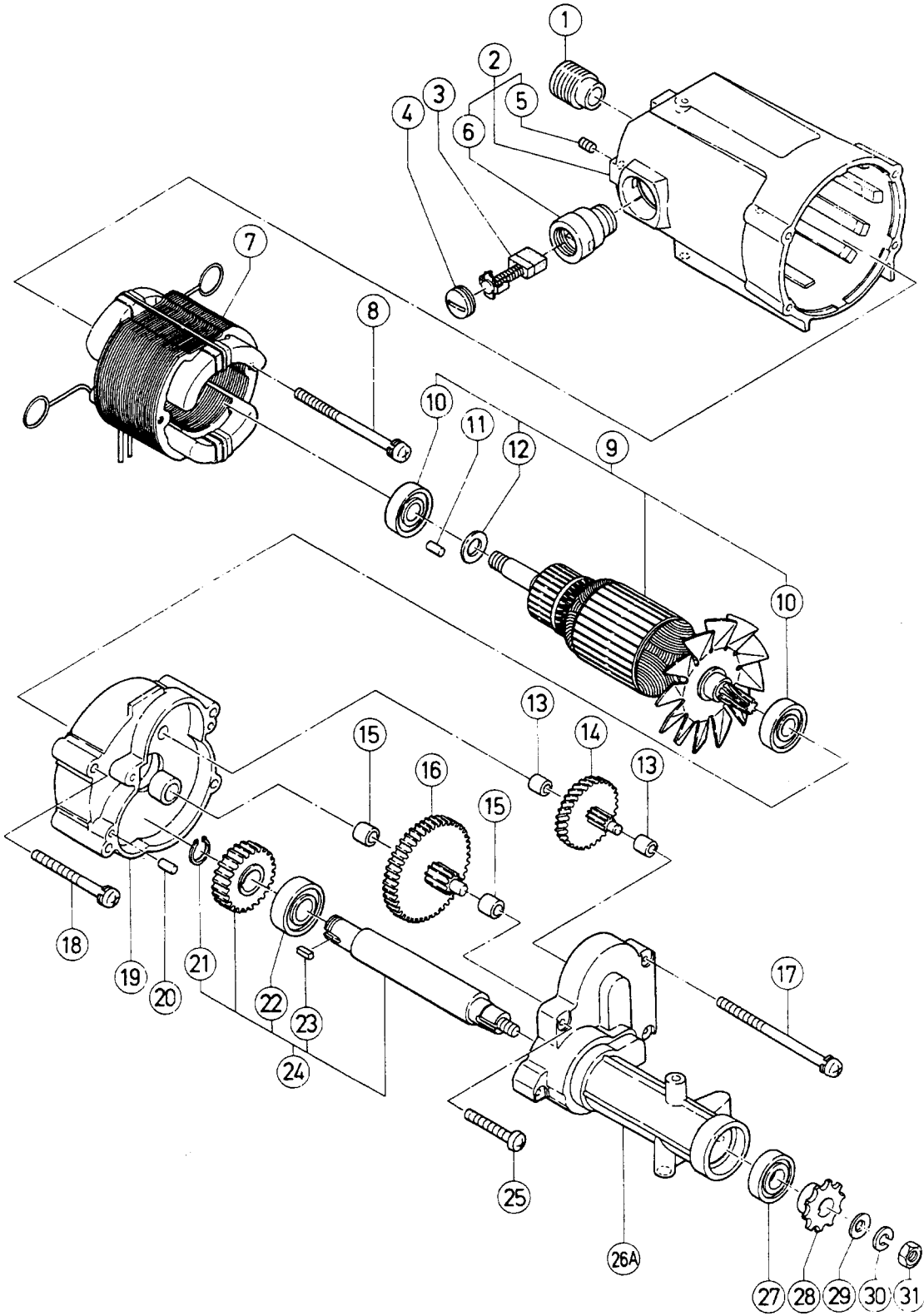
■ PORTABLE THICKNESS PLANER
Model P 12R

1996 · 5 · 31
(E2)









PARTS

P 12R

| ITEM NO. | CODE NO. | DESCRIPTION | NO. USED | REMARKS |
|----------|----------|----------------------------------|----------|--|
| 1 | 951-893 | MACHINE SCREW (W/WASHERS) M6X20 | 2 | |
| * 2 | 303-963 | GAUGE | 1 | |
| * 2 | 306-355 | GAUGE | 1 | FOR SIN |
| 3 | 949-556 | NUT M6 (10 PCS.) | 2 | |
| 4 | 303-951 | HEAD | 1 | |
| 5 | 949-686 | ROLL PIN D6X40 (10 PCS.) | 4 | |
| 6 | 302-809 | PLATE | 1 | |
| 7 | 949-432 | BOLT WASHER M6 (10 PCS.) | 1 | |
| 8 | 949-612 | BOLT M6X14 (10 PCS.) | 1 | |
| 9 | 966-716 | OIL CUP | 4 | |
| 10A | 305-429 | NUT M16 | 1 | |
| 11 | 303-893 | TABLE ASS'Y FOR AUTOMATIC FEED | 1 | INCLUD.9,704 |
| 12 | 949-237 | MACHINE SCREW M5X12 (10 PCS.) | 1 | |
| 13 | 949-431 | BOLT WASHER M5 (10 PCS.) | 1 | |
| 14 | 302-810 | INDICATOR | 1 | |
| 15 | | CAUTION LABEL (F) | 1 | |
| 16 | 949-331 | FLAT HD. SCREW M5X10 (10 PCS.) | 6 | |
| 17 | 949-248 | MACHINE SCREW M5X40 (10 PCS.) | 1 | |
| 18 | 949-454 | SPRING WASHER M5 (10 PCS.) | 1 | |
| 19 | 949-431 | BOLT WASHER M5 (10 PCS.) | 1 | |
| 20 | 949-245 | MACHINE SCREW M5X30 (10 PCS.) | 1 | |
| 21 | 949-431 | BOLT WASHER M5 (10 PCS.) | 1 | |
| 22B | 302-807 | SIDE COVER (C) | 1 | |
| 23 | 949-236 | MACHINE SCREW M5X10 (10 PCS.) | 2 | |
| 24 | 996-534 | CORD CLIP | 1 | |
| 25 | | VINYL TUBE (A) (I.D.9.5XT0.7X20) | 3 | |
| * 26A | 303-949 | CORD | 1 | |
| * 26 | 952-802Z | CORD | 1 | FOR SIN |
| 27 | 302-804 | FEED SCREW | 1 | |
| 28 | 949-235 | MACHINE SCREW M5X8 (10 PCS.) | 2 | |
| 29 | 949-454 | SPRING WASHER M5 (10 PCS.) | 2 | |
| 30 | 302-832 | COVER (B) | 1 | |
| 31 | 302-833 | PACKING | 1 | |
| 32 | 302-831 | COVER (A) | 1 | |
| 33 | 302-830 | GEAR BOX | 1 | |
| 34 | 949-236 | MACHINE SCREW M5X10 (10 PCS.) | 2 | |
| 35A | 306-091 | BEVEL GEAR ASS'Y | 1 | INCLUD.58A,60A,178 |
| 36 | 302-795 | THRUST WASHER (A) | 1 | TILL 12.1991 |
| 36A | 939-431 | THRUST BEARING (51105) | 1 | SINCE 1.1992 |
| 37 | 302-796 | BUSHING | 1 | |
| 38 | 995-048 | MACHINE SCREW (W/WASHERS) M5X12 | 4 | |
| 39 | 303-939 | TERMINAL COVER | 1 | |
| 40 | 990-541 | MACHINE SCREW (W/WASHERS) M5X16 | 1 | |
| 43 | 996-530 | NYLON CLIP | 1 | |
| 44A | 306-090 | BASE ASS'Y | 1 | INCLUD.35A,36A - 39,48 - 51,61 - 64,72 |
| 45 | 964-851 | BASE RUBBER | 4 | |
| 46 | 949-431 | BOLT WASHER M5 (10 PCS.) | 4 | |
| 47 | 949-241 | MACHINE SCREW M5X20 (10 PCS.) | 4 | |
| 48 | 302-797 | THRUST WASHER (B) | 1 | |
| 49 | 302-798 | SPECIAL NUT (A) | 1 | |
| 50 | 302-799 | SPECIAL NUT (B) | 1 | |

*: ALTERNATIVE PARTS

PARTS

P 12R

| ITEM NO. | CODE NO. | DESCRIPTION | NO. USED | REMARKS |
|----------|----------|----------------------------------|----------|----------------|
| 51 | | COLUMN | 4 | |
| 52 | 302-806 | SIDE COVER (A) | 1 | |
| * 53A | 973-941 | SCALE (A) | 1 | |
| * 53 | 966-036 | SCALE (A) | 1 | FOR SIN |
| 54 | | CAUTION LABEL (A) | 1 | |
| 55 | | NAME PLATE | 1 | |
| 56 | 949-431 | BOLT WASHER M5 (10 PCS.) | 2 | |
| 57 | 949-245 | MACHINE SCREW M5X30 (10 PCS.) | 2 | |
| 58A | 949-501 | ROLL PIN D4X30 (10 PCS.) | 1 | |
| 60 | 302-802 | WASHER | 1 | TILL 12.1991 |
| 60A | 305-926 | WASHER | 1 | SINCE 1.1992 |
| 61 | 976-233 | SENSOR SPRING | 1 | |
| 62 | 932-314 | WASHER | 1 | |
| 63 | 949-548 | ROLL PIN D4X25 (10 PCS.) | 1 | |
| 64 | 302-800 | HANDLE SHAFT | 1 | |
| 65 | 949-548 | ROLL PIN D4X25 (10 PCS.) | 1 | |
| 66 | 302-803 | HANDLE (A) ASS'Y 120MM | 1 | INCLUD.67 - 69 |
| 67 | 949-548 | ROLL PIN D4X25 (10 PCS.) | 1 | |
| 68 | 967-614 | FEED GRIP (A) | 1 | |
| 69 | 303-965 | GRIP SHAFT | 1 | |
| 70 | 949-432 | BOLT WASHER M6 (10 PCS.) | 1 | |
| 71 | 949-611 | BOLT M6X12 (10 PCS.) | 1 | |
| 72 | 949-686 | ROLL PIN D6X40 (10 PCS.) | 4 | |
| 73 | 995-062 | TAPPING SCREW (W/WASHER) D4X16 | 1 | |
| 74 | 976-448 | WASHER (B) | 1 | |
| 75 | 302-827 | PULLEY COVER | 1 | |
| 76 | 303-112 | TAPPING SCREW (W/WASHER) D4X35 | 1 | |
| 77 | 998-836 | KNOB BOLT M6X11 | 1 | |
| 78 | 949-567 | LOCK NUT M6 (10 PCS.) | 1 | TILL 12.1993 |
| 79 | 995-062 | TAPPING SCREW (W/WASHER) D4X16 | 3 | |
| 80 | 303-948 | SWITCH GUARD | 1 | |
| 81 | 304-004 | VINYL COVER | 2 | |
| 82 | 303-947 | SWITCH PLATE (A) | 1 | |
| 83 | 303-946 | PILLAR TERMINAL | 1 | |
| 84 | 972-082Z | SWITCH (1P SOLDER TYPE) | 1 | |
| 85 | 303-945 | FASTON (C) | 1 | |
| 86 | 303-944 | INSULATING SLEEVE | 1 | |
| 87 | 990-541 | MACHINE SCREW (W/WASHERS) M5X16 | 1 | |
| 88 | 302-828 | SWITCH BOX | 1 | |
| 89 | 303-000 | PACKING (A) | 1 | |
| 90 | 949-236 | MACHINE SCREW M5X10 (10 PCS.) | 3 | |
| 91 | 302-826 | CHIP GUIDE | 1 | |
| 92 | 303-001 | PIN D8X10 | 1 | |
| 93 | 949-431 | BOLT WASHER M5 (10 PCS.) | 1 | |
| 94 | 949-237 | MACHINE SCREW M5X12 (10 PCS.) | 1 | |
| 95 | | VINYL TUBE (A) (I.D.9.5XT0.7X20) | 1 | |
| 96 | 302-829 | SWITCH COVER | 1 | |
| 97 | 996-255 | TAPPING SCREW (W/WASHER) D4X20 | 2 | |
| 98 | 302-815 | BELT | 1 | |
| 99 | 302-999 | NUT (LEFT HAND) M10 | 1 | |
| 100 | 302-760 | BELLEVILLE SPRING M10 | 1 | |

*: ALTERNATIVE PARTS

PARTS

P 12R

| ITEM NO. | CODE NO. | DESCRIPTION | NO. USED | REMARKS |
|----------|----------|--|----------|------------------|
| 101 | 302-998 | WASHER (I) | 1 | |
| 102 | 302-814 | PULLEY (B) | 1 | |
| 103 | 967-270 | RETAINING RING FOR D52 HOLE | 1 | |
| 104 | 976-441 | BEARING LOCK | 1 | |
| 105 | 630-4VV | BALL BEARING 6304VVCMAV2S | 1 | |
| 106 | | CAUTION LABEL (B) | 1 | |
| 107 | 949-510 | RIVET D2.5X4.8 (10 PCS.) | 2 | |
| * 108A | | CAUTION PLATE (X) | 1 | |
| * 108A | | CAUTION PLATE (H) | 1 | FOR SIN |
| 109 | | VINYL TUBE (I.D.8.5XT0.7X90) | 1 | |
| 110 | 302-825 | TAPPING SCREW D5X16 | 1 | |
| * 111 | 303-967 | DECORATION NAME PLATE | 1 | |
| * 111 | | DECORATION NAME PLATE | 1 | FOR SIN |
| 112 | 949-233 | MACHINE SCREW M5X55 (10 PCS.) | 1 | |
| 113 | 949-454 | SPRING WASHER M5 (10 PCS.) | 1 | |
| 114 | 949-431 | BOLT WASHER M5 (10 PCS.) | 1 | |
| * 115 | 303-955 | CHIP COVER | 1 | |
| * 115 | 302-824 | CHIP COVER | 1 | FOR SIN |
| 116 | | MOTOR (MODEL P100RA - M) | 1 | |
| 117 | 949-660 | HEX. SOCKET HD. BOLT M6X20 (10 PCS.) | 4 | |
| 118 | 303-113 | LOCK PIN | 1 | |
| 119 | 303-002 | SPACER D6X8 | 1 | |
| 120 | 972-793 | BUTTON HEAD SOCKET SCREW M6X25 | 1 | |
| 121 | 302-774 | SLOTTED PIN D2X8 | 1 | |
| 122 | 968-643 | RETAINING RING (E - TYPE) FOR D4 SHAFT | 1 | |
| 123 | 988-810 | LOCK SPRING | 1 | |
| 124 | 303-004 | ARM SPRING | 1 | |
| 125 | 303-003 | TENSIONER ASS'Y | 1 | INCLUD.126 - 130 |
| 126 | 949-567 | LOCK NUT M8 (10 PCS.) | 1 | |
| 127 | 303-116 | ARM | 1 | |
| 128 | 303-117 | ARM PIECE | 1 | |
| 129 | 303-118 | METAL (A) | 1 | |
| 130 | 303-119 | SPECIAL BOLT M6X15 | 1 | |
| 131 | 303-005 | SPECIAL BOLT M8 | 1 | |
| 132 | 620-2VV | BALL BEARING 6202VVCMP2S | 1 | |
| 133 | 976-301 | BEARING LOCK | 1 | |
| 134 | 939-556 | RETAINING RING FOR D35 HOLE (10 PCS.) | 1 | |
| 135 | 302-823 | LOCK RING (A) | 1 | |
| 136 | 949-457 | SPRING WASHER M8 (10 PCS.) | 1 | |
| 137 | 949-568 | LOCK NUT M8 (10 PCS.) | 1 | |
| 138 | 303-006 | SPACER D4X10 | 1 | |
| 139 | 949-453 | SPRING WASHER M4 (10 PCS.) | 1 | |
| 140 | 949-221 | MACHINE SCREW M4X20 (10 PCS.) | 1 | |
| 141 | 945-072 | FEATHER KEY 5X5X15 | 1 | |
| 142 | 302-781 | BOLT | 16 | |
| 143 | 973-819 | BLADE HOLDER (1 PAIR) | 2 | |
| 144 | 972-011 | PLANER BLADES (A) 317MM (1 PAIR) | 2 | |
| 145 | 302-812 | CUTTER BLOCK (A) ASS'Y | 1 | INCLUD.105,132 |
| 146A | 305-190 | METAL SPRING (A) | 1 | |
| 147 | 302-818 | METAL | 1 | |
| 148 | 972-017 | METAL HOLDER (B) | 1 | |

*: ALTERNATIVE PARTS

PARTS

| ITEM NO. | CODE NO. | DESCRIPTION | NO. USED | REMARKS |
|----------|----------|-------------------------------|----------|--|
| 149 | 949-239 | MACHINE SCREW M5X16 (10 PCS.) | 2 | |
| 150A | 305-191 | FEED ROLLER ASS'Y | 1 | INCLUD.146A,151A,176 FOR IN FEED |
| 151A | 305-190 | METAL SPRING (A) | 1 | |
| 152 | 302-818 | METAL | 1 | |
| 153 | 302-997 | METAL HOLDER (A) | 1 | |
| 154 | 949-239 | MACHINE SCREW M5X16 (10 PCS.) | 4 | |
| 155A | 302-819 | CHAIN COVER | 1 | |
| 156 | 302-845 | SPROCKET | 1 | |
| 157 | 949-433 | BOLT WASHER M8 (10 PCS.) | 1 | |
| 158 | 949-457 | SPRING WASHER M8 (10 PCS.) | 1 | |
| 159 | 949-568 | LOCK NUT M8 (10 PCS.) | 1 | |
| 160A | 305-190 | METAL SPRING (A) | 1 | |
| 161 | 302-818 | METAL | 1 | |
| 162 | 972-017 | METAL HOLDER (B) | 1 | |
| 163 | 949-239 | MACHINE SCREW M5X16 (10 PCS.) | 2 | |
| 164A | 305-192 | FEED ROLLER ASS'Y | 1 | INCLUD.160A,165A,176 FOR OUT FEED |
| 165A | 302-996 | METAL SPRING (B) | 1 | |
| 166 | 302-818 | METAL | 1 | |
| 167 | 302-997 | METAL HOLDER (A) | 1 | |
| 168 | 931-008 | FEATHER KEY 4X4X12 | 1 | |
| * 169 | 303-956 | SPROCKET (A) | 1 | |
| * 169 | 302-845 | SPROCKET | 1 | FOR SIN |
| 170 | 302-845 | SPROCKET | 1 | |
| 171 | 949-433 | BOLT WASHER M8 (10 PCS.) | 1 | |
| 172 | 949-457 | SPRING WASHER M8 (10 PCS.) | 1 | |
| 173 | 949-568 | LOCK NUT M8 (10 PCS.) | 1 | |
| * 174 | 303-957 | CHAIN (38 LINK) | 1 | |
| * 174 | 302-821 | CHAIN (36 LINK) | 1 | FOR SIN |
| 175 | 302-822 | CHAIN (34 LINK) | 1 | |
| 176 | 305-193 | PACKING | 4 | |
| 177 | 305-189 | FEED ROLLER SET | 1 | INCLUD.151A,165A |
| 178 | 939-431 | THRUST BEARING (51105) | 1 | PARTS OF NEW BEVEL GEAR ASS'Y SET UP FOR OLD TYPE BASE |
| * 179 | 307-549 | CAUTION PLATE (Z) | 1 | FOR USA |
| * 180 | 949-509 | RIVET D2.5X3.2 (10 PCS.) | 4 | FOR USA |
| 526A | 309-685 | GEAR CASE ASS'Y | 1 | INCLUD.513,515 |
| | | | | |
| | | | | |
| | | | | |
| | | | | |

STANDARD ACCESSORIES

| ITEM NO. | CODE NO. | DESCRIPTION | NO. USED | REMARKS |
|----------|----------|------------------------------|----------|---------|
| 701 | 973-852 | SETTING GAUGE (A) | 2 | |
| 702 | 302-300 | WRENCH (HEX. SOCKET 10/10MM) | 1 | |
| 703 | 967-746 | BOX WRENCH 10MM | 1 | |
| 704 | 303-894 | LUBRICANT OILER (120CC) | 1 | |
| | | | | |
| | | | | |
| | | | | |

* : ALTERNATIVE PARTS

OPTIONAL ACCESSORIES

| ITEM NO. | CODE NO. | DESCRIPTION | NO. USED | REMARKS |
|----------|----------|--|----------|--|
| 801 | 303-968 | JOINTER TABLE SET | 1 | INCLUD.802,803,807 -- 834,836,838 -- 841,842A, 843,850 -- 861,878 -- 880,882 -- 885A,889,892A -- 895,897,898 FOR USA |
| 802 | 303-952 | JOINTER TABLE ASS'Y | 1 | INCLUD.844 -- 849,862 -- 874 |
| 803 | 303-940 | SAFETY COVER (A) ASS'Y | 1 | INCLUD.804 -- 806 |
| 804 | 949-510 | RIVET D2.5X4.8 (10 PCS.) | 2 | |
| 805 | | CAUTION PLATE (S) | 1 | |
| 806 | 947-603 | SPRING (B) | 1 | |
| 807 | 304-002 | GUIDE | 1 | |
| 808 | 988-167 | HIGH TENSION BOLT M8X20 | 2 | |
| 809 | 949-433 | BOLT WASHER M8 (10 PCS.) | 2 | |
| 810 | 302-769 | GUIDE ARM (B) | 1 | |
| 811 | 949-454 | SPRING WASHER M5 (10 PCS.) | 4 | |
| 812 | 949-239 | MACHINE SCREW M5X16 (10 PCS.) | 4 | |
| 813 | 302-788 | GUIDE SHAFT (B) | 1 | |
| 814 | 949-555 | NUT M5 (10 PCS.) | 1 | |
| 815 | 949-243 | MACHINE SCREW M5X25 (10 PCS.) | 1 | |
| 816 | 302-787 | GUIDE SHAFT (A) | 1 | |
| 817 | 302-768 | GUIDE ARM (A) | 1 | |
| 818 | 303-959 | SAFETY COVER (C) | 1 | |
| 819 | 998-980 | SPACER | 2 | |
| 820 | 949-431 | BOLT WASHER M5 (10 PCS.) | 2 | |
| 821 | 949-236 | MACHINE SCREW M5X10 (10 PCS.) | 2 | |
| 822 | 949-216 | MACHINE SCREW M4X10 (10 PCS.) | 2 | |
| 823 | 302-782 | NUT COVER | 1 | |
| 824 | 949-214 | MACHINE SCREW M4X8 (10 PCS.) | 2 | |
| 825 | 949-429 | BOLT WASHER M4 (10 PCS.) | 2 | |
| 826 | 972-040 | STOP PIECE | 1 | |
| 827 | 988-810 | LOCK SPRING | 1 | |
| 828 | 968-643 | RETAINING RING (E - TYPE) FOR D4 SHAFT | 1 | |
| 829 | 302-773 | LOCK PIN | 1 | |
| 830 | 302-774 | SLOTTED PIN D2X8 | 1 | |
| 831 | 947-530 | NUT (LEFT HAND) M8 | 1 | |
| 832 | 949-457 | SPRING WASHER M8 (10 PCS.) | 1 | |
| 833 | 302-775 | NUT (A) | 1 | |
| 834 | 302-776 | LOCK RING (B) | 1 | |
| 835 | 949-332 | FLAT HD. SCREW M5X12 (10 PCS.) | 3 | |
| 836 | 302-772 | BEARING HOLDER (B) ASS'Y | 1 | INCLUD.835,896 |
| 837 | 600-1VV | BALL BEARING 6001VVCMP2L | 1 | |
| 838 | 976-301 | BEARING LOCK | 1 | |
| 839 | 303-127 | KNOB BOLT M8X75 | 1 | |
| 840 | 302-770 | KNOB BOLT M6X15 | 1 | |
| 841 | 949-510 | RIVET D2.5X4.8 (10 PCS.) | 4 | |
| 842 | | CAUTION PLATE (T) | 1 | TILL 11.1992 |
| 842A | | CAUTION PLATE (Z) | 1 | SINCE 12.1992 |
| 843 | | CAUTION LABEL (F) | 1 | |
| 844 | 949-214 | MACHINE SCREW M4X8 (10 PCS.) | 1 | |
| 845 | 949-429 | BOLT WASHER M4 (10 PCS.) | 1 | |
| 846 | 303-953 | SCALE (C) | 1 | |
| 847 | 949-613 | BOLT M6X16 (10 PCS.) | 1 | |
| 848 | 949-331 | FLAT HD. SCREW M5X10 (10 PCS.) | 8 | |

* : ALTERNATIVE PARTS

OPTIONAL ACCESSORIES

| ITEM NO. | CODE NO. | DESCRIPTION | NO. USED | REMARKS |
|----------|----------|--------------------------------|----------|--------------------------|
| 849 | 302-765 | JOINTER PLATE (B) | 1 | |
| 850 | 302-770 | KNOB BOLT M6X15 | 1 | |
| 851 | 302-853 | SHAFT (B) | 1 | |
| 852 | 949-457 | SPRING WASHER M8 (10 PCS.) | 1 | |
| 853 | 949-628 | BOLT M8X30 (10 PCS.) | 1 | |
| 854 | 302-851 | CUPLING | 1 | |
| 855 | 949-433 | BOLT WASHER M8 (10 PCS.) | 1 | |
| 856 | 949-457 | SPRING WASHER M8 (10 PCS.) | 1 | |
| 857 | 949-568 | LOCK NUT M8 (10 PCS.) | 1 | |
| 858 | 302-852 | CUPLING RUBBER | 1 | |
| 859 | 949-236 | MACHINE SCREW M5X10 (10 PCS.) | 2 | |
| 860 | 303-960 | SHOOT | 1 | |
| 861 | 949-216 | MACHINE SCREW M4X10 (10 PCS.) | 1 | |
| 862 | 949-792 | FLAT HD. SCREW M5X6 (10 PCS.) | 3 | |
| 863 | 949-331 | FLAT HD. SCREW M5X10 (10 PCS.) | 5 | |
| 864 | 302-764 | JOINTER PLATE | 1 | |
| 865 | 949-695 | BOLT M10X35 (10 PCS.) | 2 | |
| 866 | 302-760 | BELLEVILLE SPRING M10 | 2 | |
| 867 | 949-434 | BOLT WASHER M10 (10 PCS.) | 2 | |
| 868 | 996-263 | KNOB | 1 | |
| 869 | 949-548 | ROLL PIN D4X25 (10 PCS.) | 1 | |
| 870 | 965-502 | SPECIAL NUT M10 | 3 | |
| 871 | 949-434 | BOLT WASHER M10 (10 PCS.) | 1 | |
| 872 | 302-761 | FEED SCREW (B) | 1 | |
| 873 | 949-434 | BOLT WASHER M10 (10 PCS.) | 1 | |
| 874 | 949-870 | ROLL PIN D4X22 (10 PCS.) | 1 | |
| 875 | 949-394 | WING BOLT M6X10 (10 PCS.) | 1 | |
| 876 | 303-891 | HOOD ASS'Y | 1 | INCLUD.875 |
| 877 | 949-002 | GRINDING STONE | 1 | |
| 878 | 949-622 | BOLT M8X16 (10 PCS.) | 2 | |
| 879 | 949-457 | SPRING WASHER M8 (10 PCS.) | 2 | |
| 880 | 303-125 | STEP (B) ASS'Y | 1 | INCLUD.881 |
| 881 | 303-109 | GRIP | 2 | |
| 882 | 302-781 | BOLT | 8 | |
| 883 | 302-780 | BLADE HOLDER (B) (1 PAIR) | 2 | |
| 884 | 303-761 | PLANER BLADES 156MM (1 PAIR) | 2 | |
| 885A | 302-777 | CUTTER BLOCK (B) ASS'Y | 1 | INCLUD.837,886 - 888,891 |
| 886 | 949-216 | MACHINE SCREW M4X10 (10 PCS.) | 6 | |
| 887 | 302-779 | SPRING COVER | 2 | |
| 888 | 302-778 | SPRING | 2 | |
| 889 | 948-919 | FEATHER KEY 4X4X15 | 1 | |
| 890 | 302-848 | DISTANCE WASHER | 1 | TILL 4.1991 |
| 891 | 620-1VV | BALL BEARING 6201VVCMP2S | 1 | |
| 892A | 302-849 | SIDE COVER (B) | 1 | |
| 893 | 988-889 | TAPPING SCREW (W/WASHER) D4X25 | 1 | |
| 894 | 995-062 | TAPPING SCREW (W/WASHER) D4X16 | 1 | |
| 895 | 302-854 | KNOB BOLT M8X25 | 1 | |
| 896 | 949-237 | MACHINE SCREW M5X12 (10 PCS.) | 2 | |
| 897 | 973-859Z | PUSHING BLOCK | 1 | |
| 898 | 972-043 | WRENCH 10/13MM | 1 | |

* : ALTERNATIVE PARTS