

**RYOBI**  
**18 Volt Lawn Mower**  
**Item No. P1102**  
**Manufacturing No. 107179002**  
**Repair Sheet**

**TECHTRONIC INDUSTRIES POWER EQUIPMENT**

P.O. Box 1288, Anderson, SC 29622 USA  
1-800-860-4050 • [www.ryobitools.com](http://www.ryobitools.com)

RYOBI P1102 18 VOLT LAWN MOWER

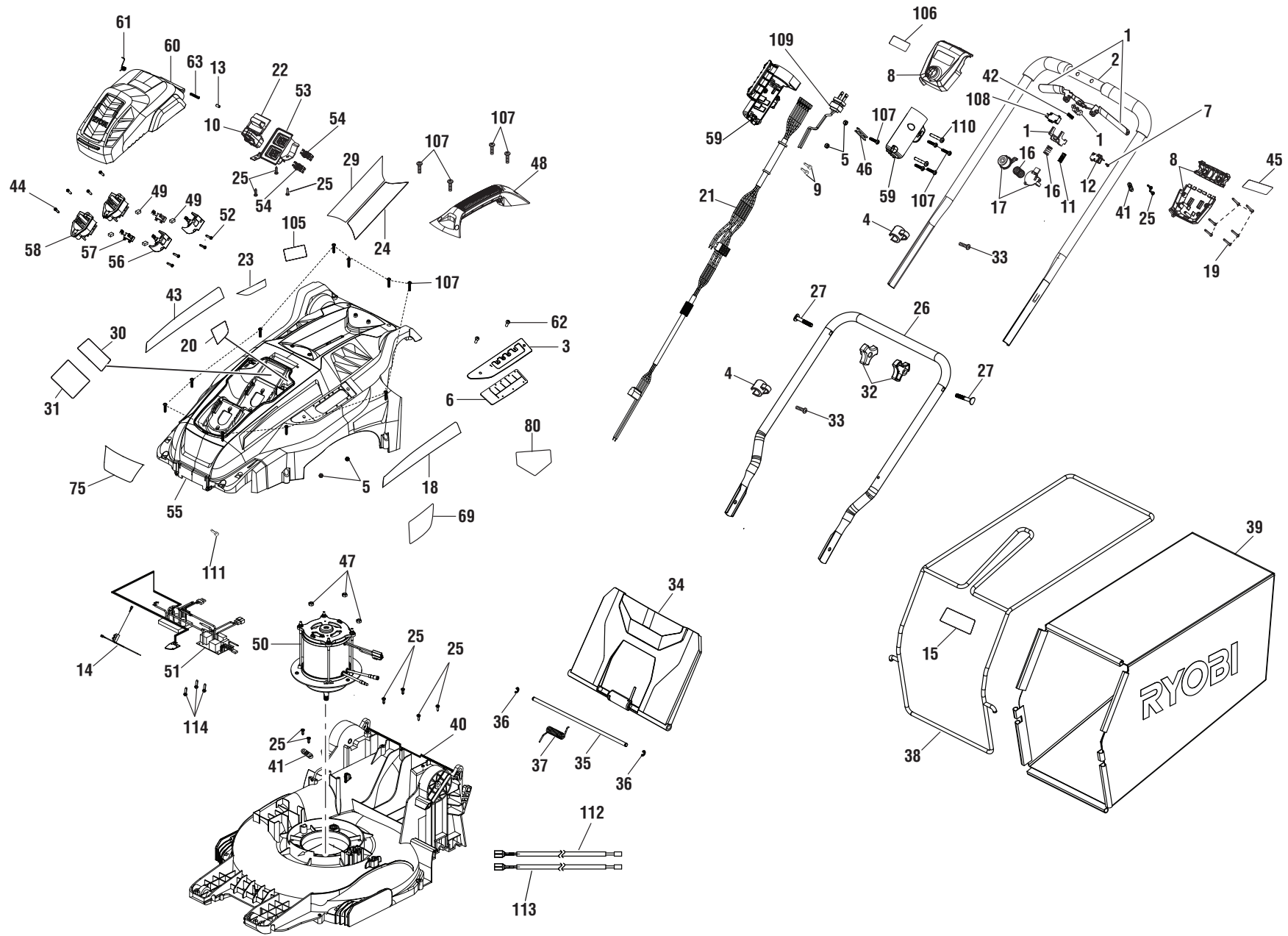


FIGURE A

RYOBI P1102 18 VOLT LAWN MOWER

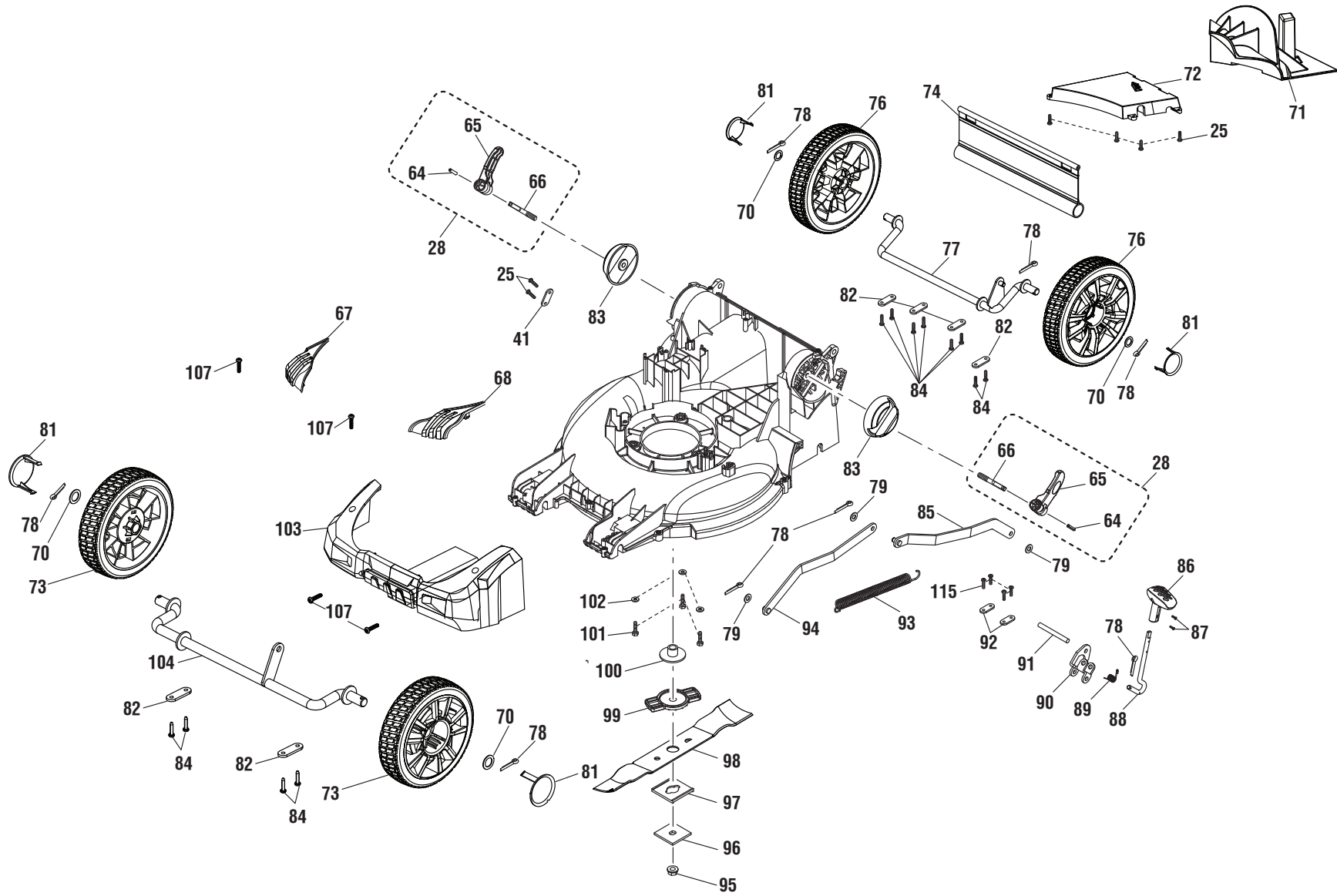


FIGURE A

## RYOBI P1102 18 VOLT LAWN MOWER

The model number will be found on a label attached to the deck. Always mention the model number in all correspondence regarding your **LAWN MOWER** or when ordering replacement parts.

### FIGURE A PARTS LIST

Key Part No. Number	Description	Qty	Key Part No. Number	Description	Qty		
1	200708001	Trigger Handle Assembly .....	1	32	528360001	Knob (526906001).....	2
2	307021006	Upper Handle Assembly .....	1	33	660203059	Screw (M3 x 20 mm).....	2
3	639193005	Height Adjustment Plate .....	1	34	526857003	Rear Discharge Door.....	1
4	532410001	Cord Clamp.....	2	35	639200001	Rear Door Axle.....	1
5	678509001	Lock Nut (M5) .....	4	36	678880001	Retaining Ring (E).....	2
6	570839002	Dust Gasket .....	1	37	679076001	Torsion Spring (Rear Door) .....	1
7	661189002	Screw (M4 x 10 mm, T20 Torx Pan Hd.) .....	1	38	639183003	Bag Frame .....	1
8	200686001	Trigger Housing Assembly .....	1	39	970699001	Bag.....	1
9	790009004	Wire Connector (Closed End) .....	2	40	526854009	Deck.....	1
10	311280002	Start Key .....	1	41	513211001	Cord Clip.....	3
11	694991001	Compression Spring .....	1	42	694990001	Spring .....	1
12	760557001	Switch .....	1	43	940851113	Lithium Label (Right) .....	1
13	621628001	Battery Door Axle.....	1	44	T662028001	Screw (M4 x 16 mm).....	4
14	291562001	Lead Wire w/Terminal Block .....	1	45	940686159	Starting Instructions Label.....	1
15	940705314	Bag Door Label.....	1	46	513211002	Cord Clip.....	1
16	694136002	Button Return Spring .....	2	47	680196006	Lock Nut (M6) .....	3
17	200688001	Start Button Assembly .....	1	48	526874001	Handle.....	1
18	940851112	Lithium Label (Left) .....	1	49	563768001	Rubber Block.....	4
19	660208104	Screw (M4 x 30 mm, T15 Torx Pan Hd.) .....	6	50	742166003	Motor .....	1
20	940842012	Fuel Gauge Label.....	1	51	280347002	Start Circuit Board .....	1
21	291746001	Starter Cable (Long).....	1	52	660203068	Screw (M4 x 16 mm, T20 Torx Socket Pan Hd.).....	4
22	528681002	Slide Door .....	1	53	200685001	Key Holder Assembly .....	1
23	940657190	Icon Warning Label.....	1	54	636440001	Female Terminal.....	8
24	940657189	Warning Icon Label (Right).....	1	55	526873002	Deck Cover .....	1
25	660608002	Screw (M4 x 16 mm, T20 Torx Pan Hd.) .....	17	56	526979001	Press Cover (Battery Connect) .....	2
26	696080001	Lower Handle.....	1	57	300001067	Plate (Battery Connect).....	2
27	662104001	Screw (M8 x 57 mm).....	2	58	526978001	Base (Battery Connect).....	2
28	350878001	Handle Lock Assembly .....	2	59	200707001	AC Plug Housing Assembly .....	1
29	940657188	Warning Icon Label (Left).....	1	60	526872001	Battery Cover.....	1
30	940851109	Star Key Label (Eng) .....	1	61	694051001	Torsion Spring (Battery Door) .....	1
31	940851110	Start Key Label (FR/SP).....	1	62	660713001	Screw (M5 x 16 mm, Pan Hd.).....	2

## RYOBI P1102 18 VOLT LAWN MOWER

The model number will be found on a label attached to the deck. Always mention the model number in all correspondence regarding your **LAWN MOWER** or when ordering replacement parts.

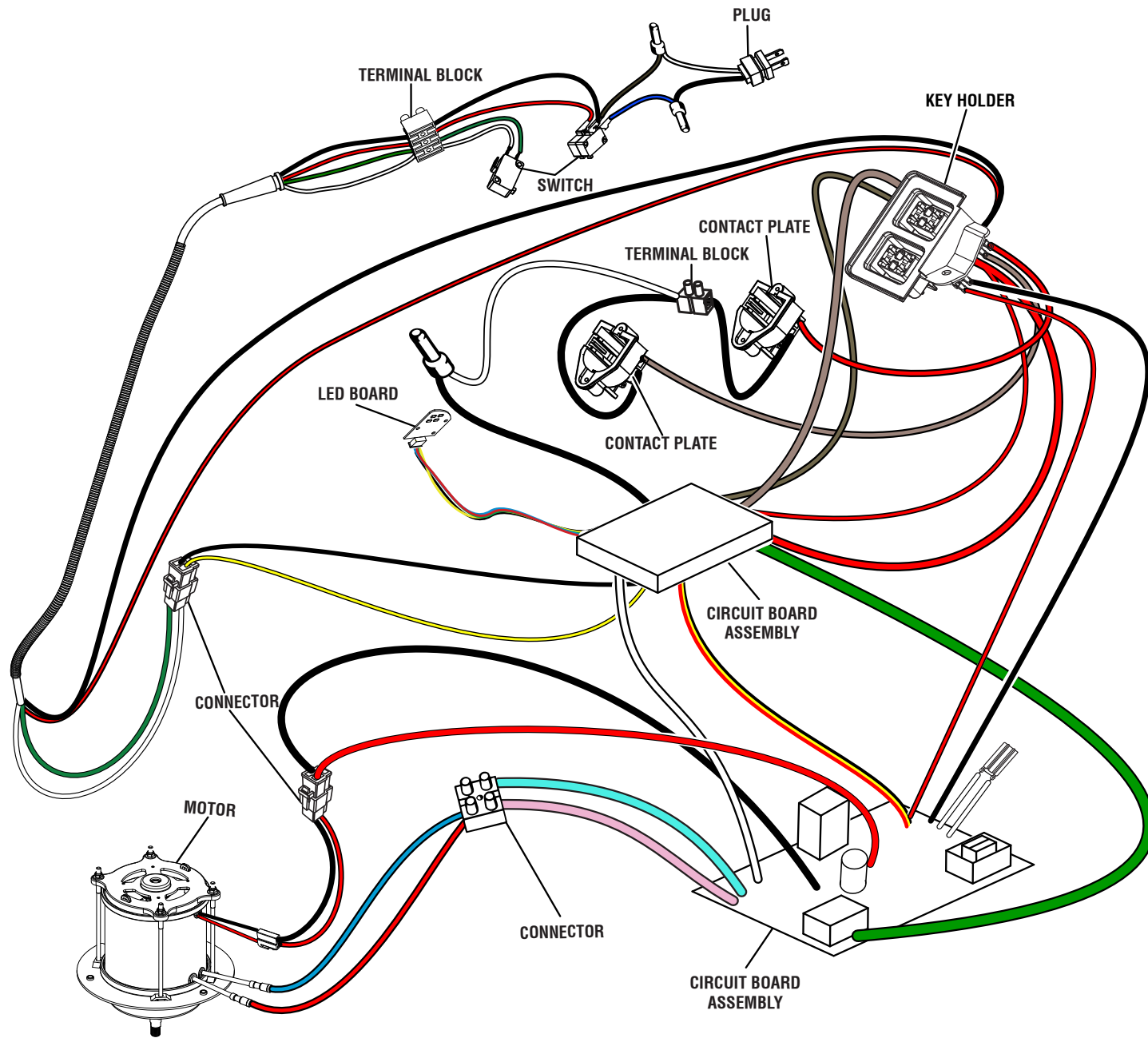
### FIGURE A PARTS LIST

Key Part No. Number	Description	Qty	Key Part No. Number	Description	Qty		
63	679073001	Pressure Spring .....	1	92	639125001	Pressure Plate (Height Adjustment) .....	2
64	679988001	Spring Pin .....	2	93	694052001	Retention Spring .....	1
65	526904001	Latch .....	2	94	639185001	Front Lift Rod .....	1
66	661865002	Quick Lock Press .....	2	95	679075001	Blade Nut (M10) .....	1
67	526977001	Grass Protector (Right) .....	1	96	639118001	Blade Retainer .....	1
68	526976001	Grass Protector (Left) .....	1	97	526920001	Spacer .....	1
69	940851111	Height Adjust Label .....	1	98	639180003	Blade .....	1
70	639113003	Washer (OD20 x ID13 x 1t) .....	4	99	526921001	Blade Holder .....	1
71	526980001	Mulching Plug .....	1	100	639120002	Motor Shaft Bushing .....	1
72	525668001	Rear Cover .....	1	101	660722002	Bolt (M6 x 16 mm, Hex Hd.) .....	3
73	311253001	Front Wheel (6 in., Inc. Key No. 81) .....	2	102	638557001	Washer (OD15 x ID6 x 1t) .....	3
74	528595001	Rear Skirt .....	1	103	526975001	Bumper .....	1
75	940705269	Ryobi Logo Label (Front) .....	1	104	636379001	Front Wheel Axle .....	1
76	311739001	Rear Wheel w/Bearing & Cap (8 in., Inc. Key No. 81) .....	2	105	941588111	Data Label .....	1
77	636378001	Rear Wheel Axle .....	1	106	940705179	Ryobi Logo Label (Handle) .....	1
78	678279004	Cotter Pin (2.5) .....	8	107	660563002	Screw (M4 x 20 mm) .....	23
79	639013001	Washer (OD18 x ID8.4 x 1t) .....	3	108	760034012	Micro Switch .....	1
80	941641001	Cut Finger Label .....	1	109	291441001	Plug Wire .....	1
81	529655002	Wheel Cover .....	4	110	661863001	Screw (M5 x 30 mm) .....	2
82	639116001	Axle Pressure Plate .....	6	111	790021001	Wire Connector (Closed End) .....	1
83	526922001	Base (Lock Handle) .....	2	112	291420007	Lead Wire (Red) .....	1
84	661189003	Screw (M4 x 18 mm, Torx Pan Hd.) .....	12	113	291420008	Lead Wire (Brown) .....	1
85	639186001	Rear Lift Rod .....	1	114	660203001	Screw (M3 x 8 mm, Pan Hd.) .....	3
86	526924001	Height Adjustment Handle .....	1	115	660024061	Screw (M4 x 14mm, T20 Torx Pan Hd.) .....	4
87	664021001	Screw (M3 x 9 mm, Flat Hd.) .....	2				
88	639204001	Height Adjustment Lever .....	1				
89	679992001	Torsion Spring (Height Adjustment) .....	1				
90	639203001	Height Adjustment Bracket .....	1				
91	639122001	Axle (Height Adjustment) .....	1				

**Not Shown:**

991000690 Operator's Manual  
9-27-18  
(Rev:02)

RYOBI P1102 18 VOLT LAWN MOWER



WIRING DIAGRAM