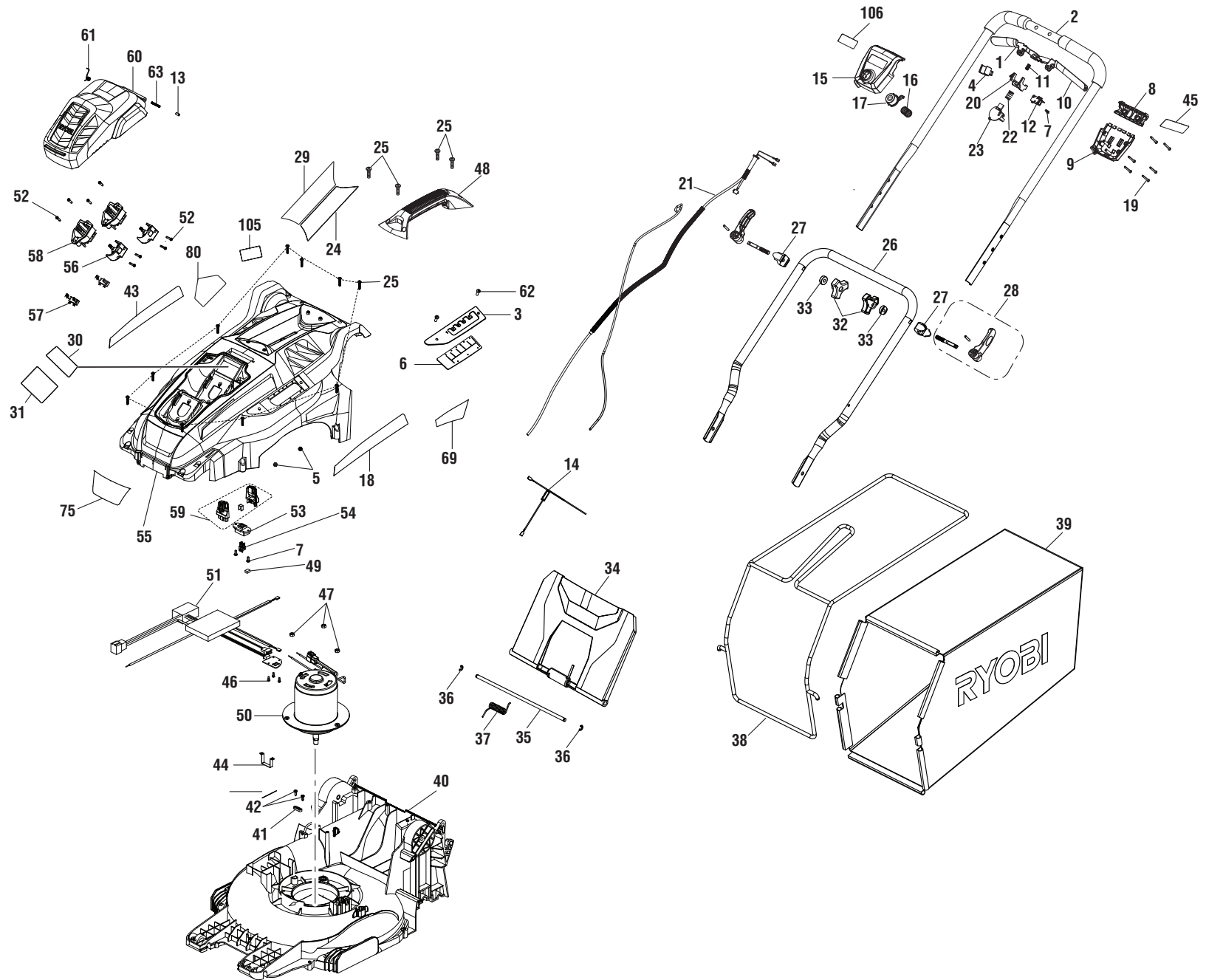
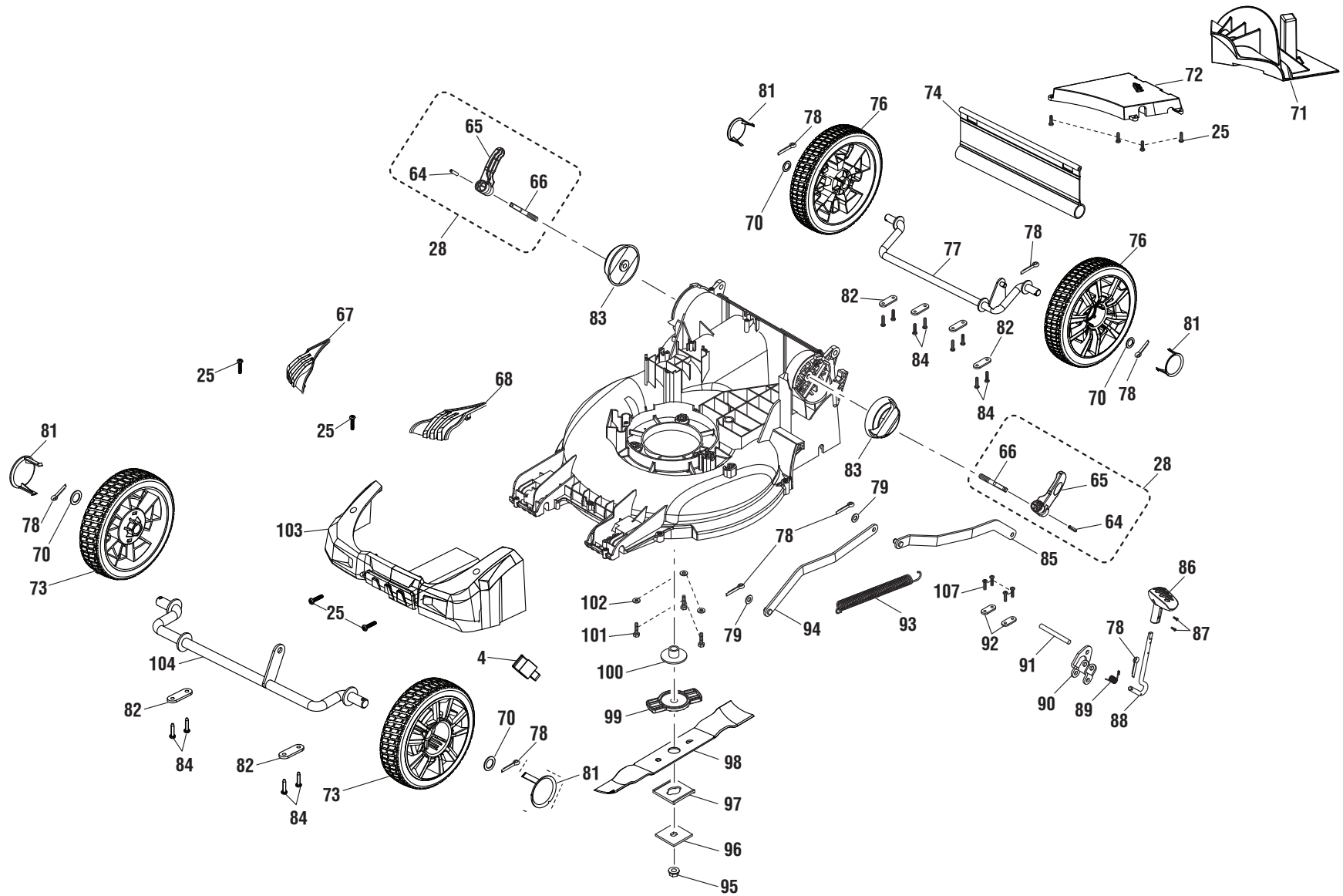


**RYOBI
18 VOLT LAWN MOWER
ITEM NO. P1100
MANUFACTURING NO. 107178001
REPAIR SHEET**

RYOBI P1100 18 VOLT LAWN MOWER



RYOBI P1100 18 VOLT LAWN MOWER



RYOBI P1100 18 VOLT LAWN MOWER

The model number will be found on a label attached to the deck. Always mention the model number in all correspondence regarding your **LAWN MOWER** or when ordering replacement parts.

PARTS LIST

Key Part No.	Part Number	Description	Qty	Key Part No.	Part Number	Description	Qty
1	527969003	Trigger Handle (Right Power Lever)	1	30	941107024	Start Key Label (Eng)	1
2	311404001	Upper Handle Assembly	1	31	941107025	Start Key Label (FR/SP)	1
3	639193005	Height Adjustment Plate	1	32	526906001	Knob	2
4	526908001	Cord Clamp.....	2	33	526907001	Block Washer.....	2
5	678509001	Lock Nut (M5)	2	34	526857003	Rear Discharge Door.....	1
6	570839002	Dust Gasket	1	35	639200001	Rear Door Axle.....	1
7	661189002	Screw (M4 x 12 mm, T20 Torx Pan Hd.).....	3	36	678880001	Retaining Ring (E).....	2
8	529324002	Lower Cover (Stain Handle).....	1	37	679076001	Torsion Spring (Rear Door)	1
9	529313001	Lower Cover (Trigger Housing)	1	38	639183003	Bag Frame	1
10	527970003	Trigger Handle (Left Power Lever).....	1	39	970699003	Bag.....	1
11	694991001	Compression Spring	1	40	526854009	Deck.....	1
12	760689007	Switch	1	41	513211001	Cord Clip.....	1
13	621628001	Battery Door Axle.....	1	42	660608001	Screw (M4.2 x 12 mm, T20 Torx Pan Hd.).....	4
14	291562001	Lead Wire w/Terminal Block	1	43	941116017	Lithium Label (Right)	1
15	529321002	Upper Cover (Control Assembly)	1	44	636877001	Mounting Bracket	1
16	694136002	Button Return Spring	1	45	940686159	Starting Instructions Label.....	1
17	529322001	Start Button	1	46	660203001	Screw (M3 x 8 mm, Phillip Pan Hd.)	3
18	941116016	Lithium Label (Left)	1	47	680196006	Lock Nut (M6)	3
19	660208104	Screw (M4 x 30 mm, T15 Torx Pan Hd.)	6	48	526874001	Handle.....	1
20	529326001	Slider (Switch Box).....	1	49	563768001	Rubber Cushion.....	4
21	291564001	Starter Cable (Long).....	1	50	742166001	Motor	1
22	694990001	Torsion Spring.....	1	51	280347001	Soft Start Circuit Board.....	1
23	529325001	Switch Holder	1	52	662028001	Screw (M4 x 16 mm, T20 Torx Socket Pan Hd.).....	8
24	941846008	Warning Icon Label (Right).....	1	53	526912001	Key Holder	1
25	660563002	Screw (M3.5 x 20 mm, T20 Torx Pan Hd.)	18	54	639178001	Key Receptacle.....	2
26	679987007	Lower Handle.....	1	55	526873003	Deck Cover	1
27	526905001	Pressure Block.....	2	56	526979001	Press Cover (Battery Connect)	2
28	350878001	Handle Lock Assembly	4	57	300001067	Plate (Battery Connect).....	2
29	941846007	Warning Icon Label (Left).....	1	58	526978001	Base (Battery Connect).....	2

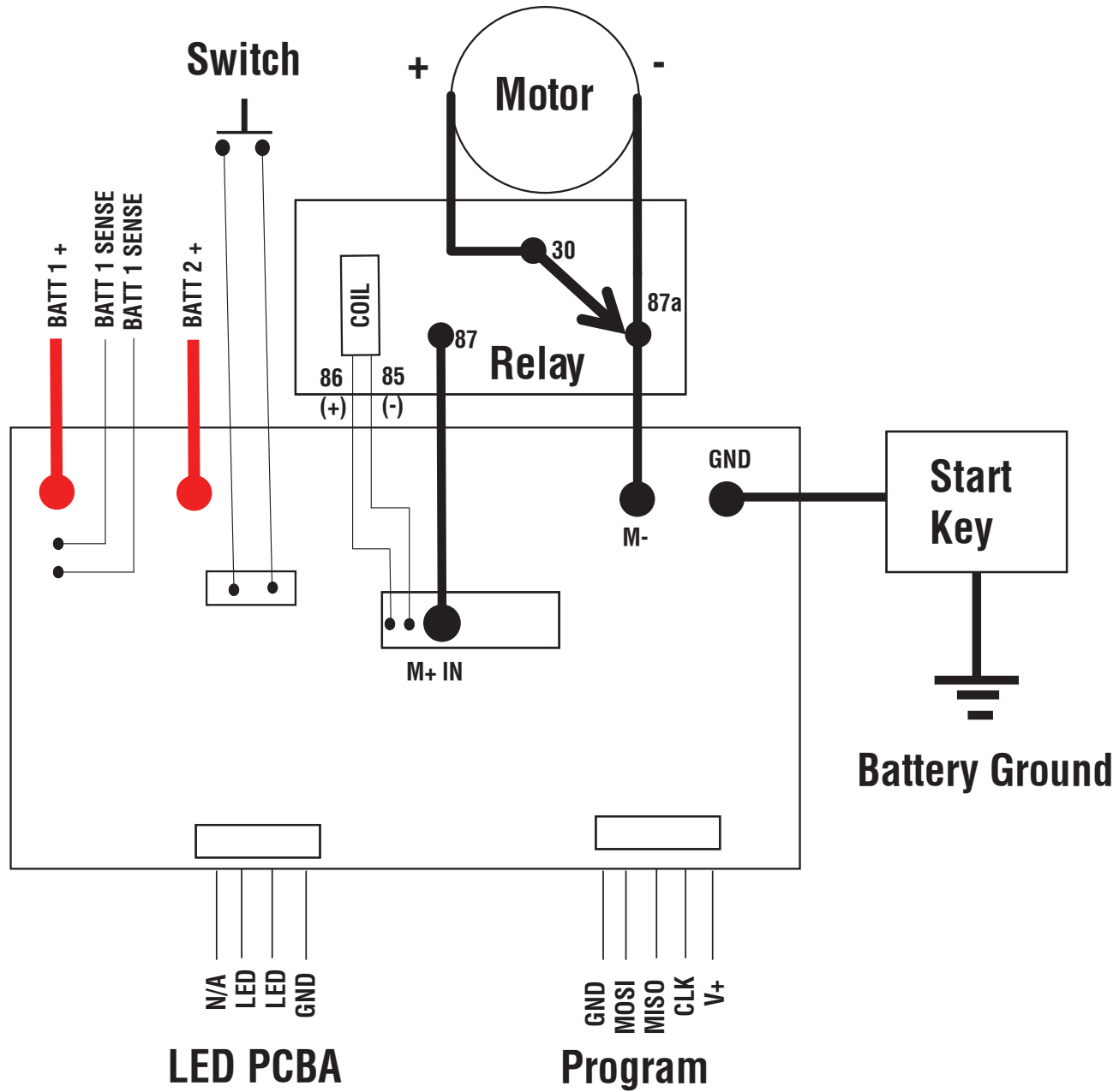
RYOBI P1100 18 VOLT LAWN MOWER

The model number will be found on a label attached to the deck. Always mention the model number in all correspondence regarding your **LAWN MOWER** or when ordering replacement parts.

PARTS LIST

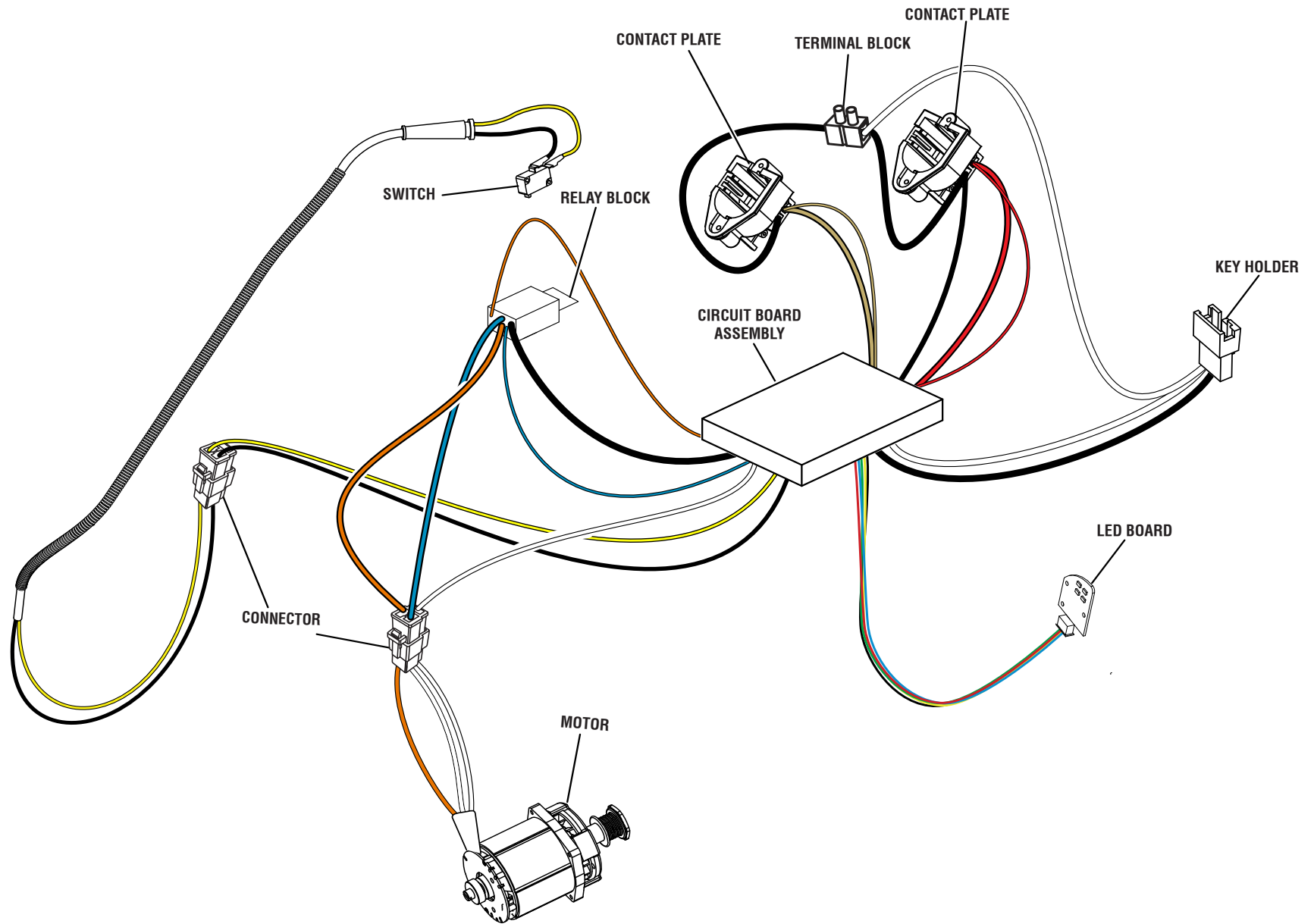
Key Part No. Number	Description	Qty	Key Part No. Number	Description	Qty		
59	311280001	Start Key	1	86	526924003	Height Adjustment Handle.....	1
60	526972001	Battery Cover.....	1	87	664021001	Screw (M3 x 9 mm, Flat Hd.)	2
61	694051001	Torsion Spring (Battery Door)	1	88	639204001	Height Adjustment Lever	1
62	660713001	Screw (M5 x 0.8 mm, Pan Hd.).....	2	89	679992001	Torsion Spring (Height Adjustment)	1
63	679073001	Pressure Spring	1	90	639203001	Height Adjustment Bracket.....	1
64	679988001	Spring Pin	4	91	639122001	Axle (Height Adjustment)	1
65	526904001	Latch	4	92	639125001	Pressure Plate (Height Adjustment)	2
66	526922001	Quick Lock Press.....	4	93	694052001	Retention Spring	1
67	526977001	Grass Protector (Right)	1	94	639185001	Front Lift Rod.....	1
68	526976001	Grass Protector (Left).....	1	95	679075001	Blade Nut (M10).....	1
69	940624097	Cut Diameter Label (Left).....	1	96	639118001	Blade Retainer	1
70	639113003	Washer (OD20 x ID13 x 1t)	4	97	526920001	Spacer.....	1
71	526980001	Mulching Plug	1	98	639180003	Blade.....	1
72	525668001	Rear Cover	1	99	526921001	Blade Holder	1
73	311253001	Front Wheel w/Bearing & Cap (6 in., Inc. Key No. 81) ...	2	100	639120001	Motor Shaft Bushing.....	1
74	528595001	Rear Skirt	1	101	660722002	Bolt (M6 x 16 mm, Hex Hd.)	3
75	940705269	Ryobi Logo Label (Front).....	1	102	638557001	Washer (OD15 x ID6 x 1t)	3
76	311739001	Rear Wheel w/Bearing & Cap (8 in., Inc. Key No. 81)	2	103	526975001	Bumper	1
77	636378001	Rear Wheel Axle.....	1	104	636379001	Front Wheel Axle.....	1
78	678279004	Cotter Pin (2.5).....	8	105	941588084	Data Label.....	1
79	639013001	Washer (OD18 x ID8.4 x 1t)	2	106	940705179	Ryobi Logo Label (Handle).....	1
80	941641001	Cut Finger Label	1	107	660024061	Screw (M4 x 14mm, T20 Torx Pan Hd.)	4
81	526876001	Wheel Cover	4	Not Shown:			
82	639116001	Axle Pressure Plate.....	6	991000291	Operator's Manual		
83	526922001	Base (Lock Handle).....	2	9-27-18			
84	661189003	Screw (M4 x 18 mm, Torx Pan Hd.)	12	(Rev:05)			
85	639186001	Rear Lift Rod.....	1				

RYOBI P1100 18 VOLT LAWN MOWER



WIRING DIAGRAM

RYOBI P1100 18 VOLT LAWN MOWER



WIRING DIAGRAM