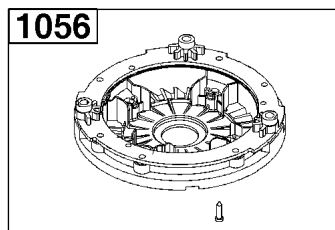
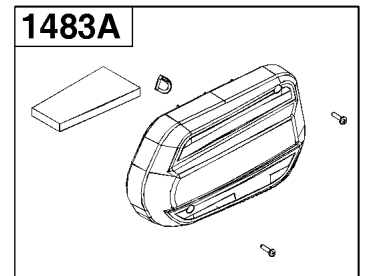
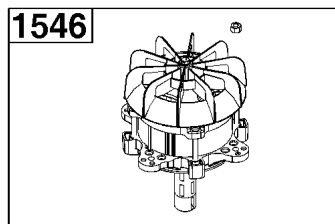
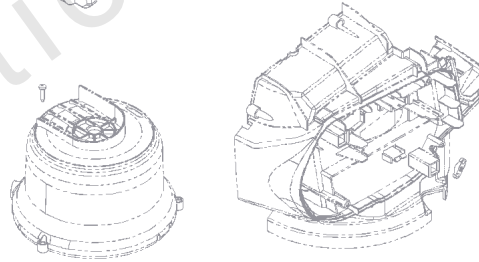
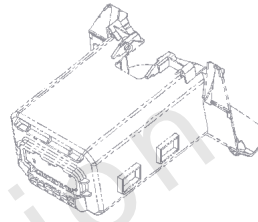
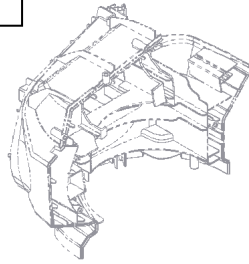
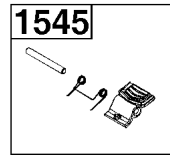
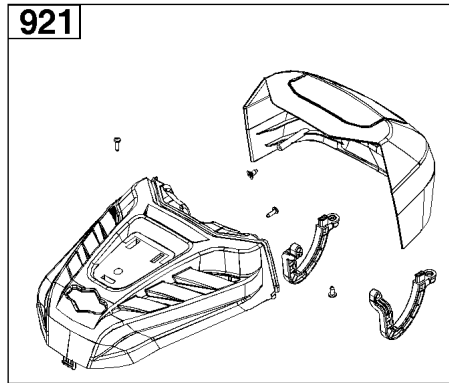
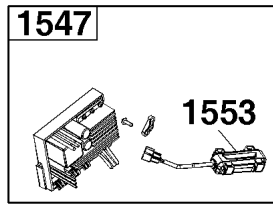
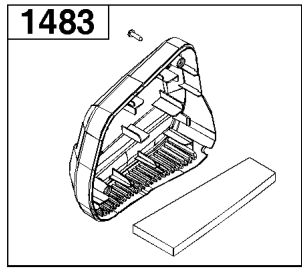




Parts Manual

Mfg. No: P0820B-0000-02

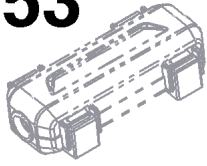


Electric Powerhead Group

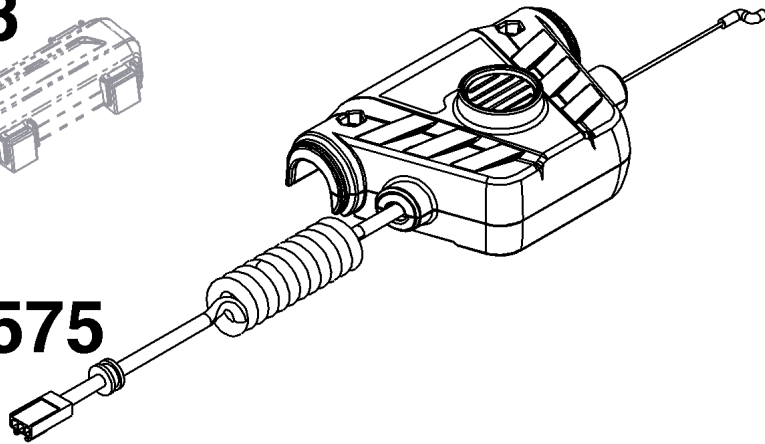
REF NO	PART NO	QTY	DESCRIPTION
921	596793	1	COVER, Blower Housing
990	596798	1	KEY, Safety
1056	596792	1	FLANGE, Mounting Plate
1483	596797	1	COVER, Dust -(Right)
1483A	596796	1	COVER, Dust -(Left)
1545	770202	1	KIT, Battery Release
1546	596800	1	MOTOR/FAN ASSEMBLY, Brushless -(Short Shaft)
1547	596802	1	KIT, Printed Circuit Board -(EU/AU)
1553	597399	1	COVER, Wire -(Starting Switch)

Not For Reproduction

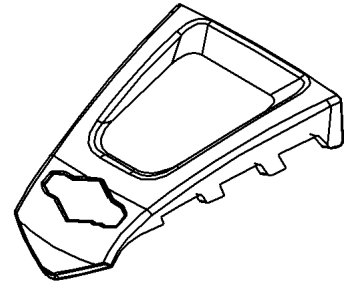
1553



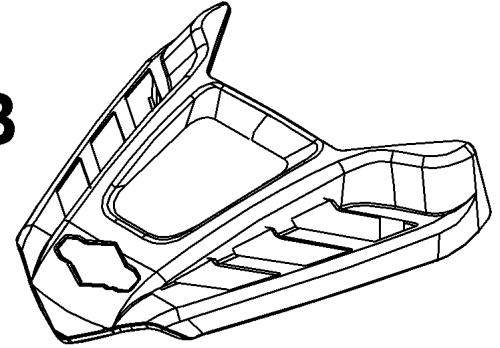
575



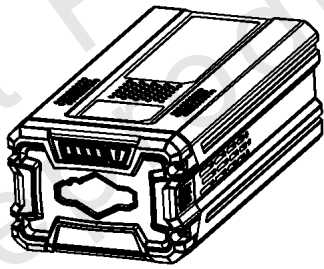
857A



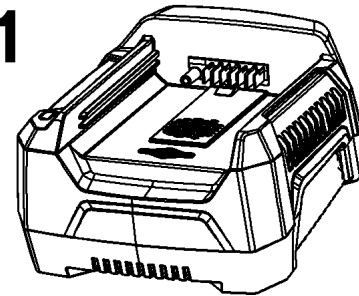
857B



1511



791



Not For Production

Optional Engine Parts Group

REF NO	PART NO	QTY	DESCRIPTION
575	596794	1	SWITCH, Starting -(EU/AU)
791	1760264	1	* CHARGER, Battery, EU -(EU)
857A	596790	1	TRIM, Blower Housing Cover
857B	596791	1	TRIM, Blower Housing Cover
1511	1760515	1	* BATTERY, 4.0, 82V EU/AU -(4AH)
1511	1760967	1	* BATTERY, 5.0, 82V EU/AU -(5AH)
1553	-----	1	COVER, Wire -(Part information located in Electric Powerhead Group.)

Not For Reproduction

