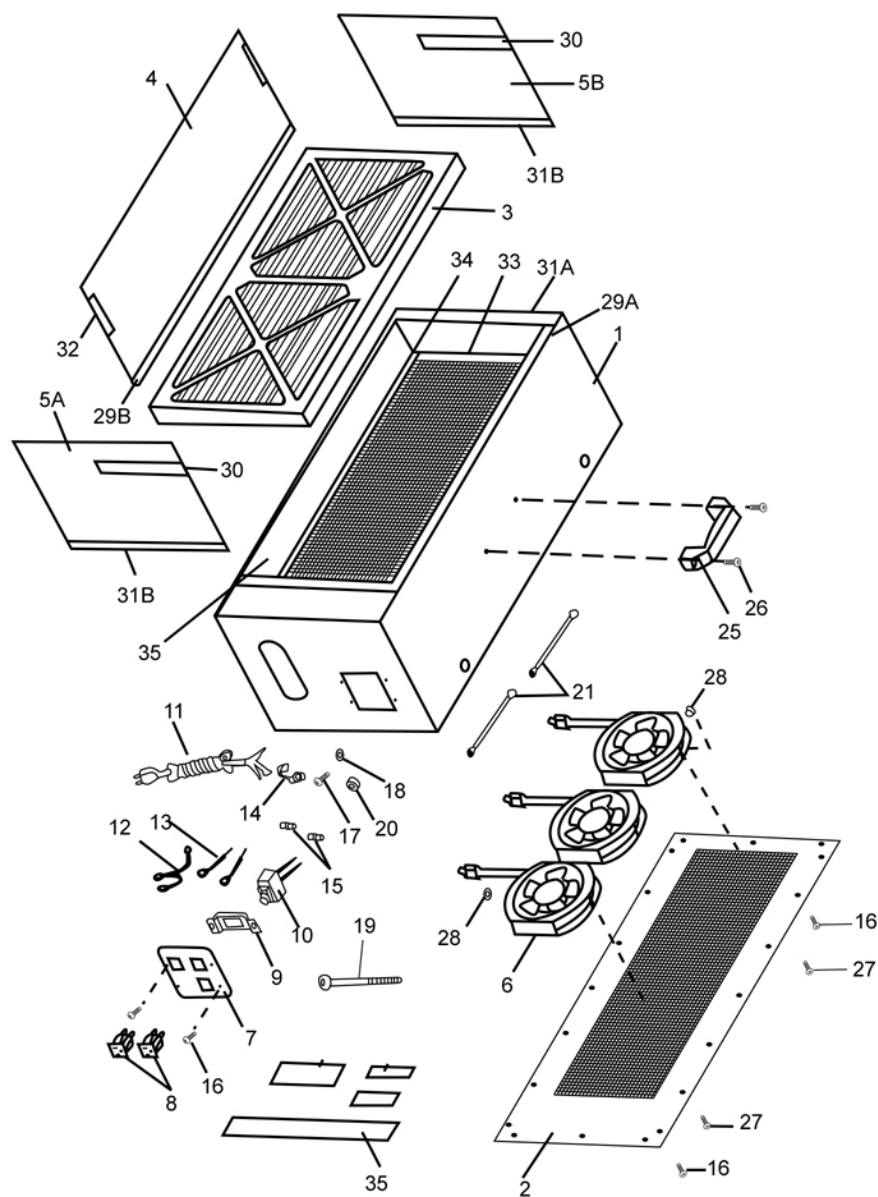


PARTS DIAGRAM



PARTS LIST

S.No.	Description	Qty.		S.No.	Description	Qty.
1	Main Housing	1		19	Cable Wrap	4
2	Motor Plate	1		20	Collar	1
	Mounting			21	Grounding Wire	3
3	Filter	1		25	Handle	1
4	Upper Adjustable	1		26	Slotted Head Screw	2
	Door			27	Hex Head Screw	6
5A	Side Adjustable	1		28	Nut	6
	Door Right			29A	Hook Fastener	1
5B	Side Adjustable	1			Strip Chassis	
	Door Left			29B	Loop Fastener Strip	1
6	Motor / Fan	3			Door Top Chassis	
7	Switch Plate	2		30	Loop Fastener Strip	2
8	Grounded Socket	2			Side Door	
9	Mounting Plate	1		31A	Hook Fastener	2
10	Electric Speed	1			Strip Chassis	
	Controller			31B	Hook Fastener	2
11	Power Cord	1			Strip Side poor	
12	Grounding Wire	1		32	Hook Fastener Strip	1
13	Connecting Wire	2			Top Door	
14	Strain Relief	1		33	Bottom Cork	1
15	Connector	3			Filter Spacer	
16	Hex Socket	24		34	Side Cork	1
	Head Screw				Filter Spacer	
17	Hex Socket	1		35	Bottom Of Cabinet	2
	Head Screw			33,34	Cork Kit All Pieces	
18	Washer	1		& 35		