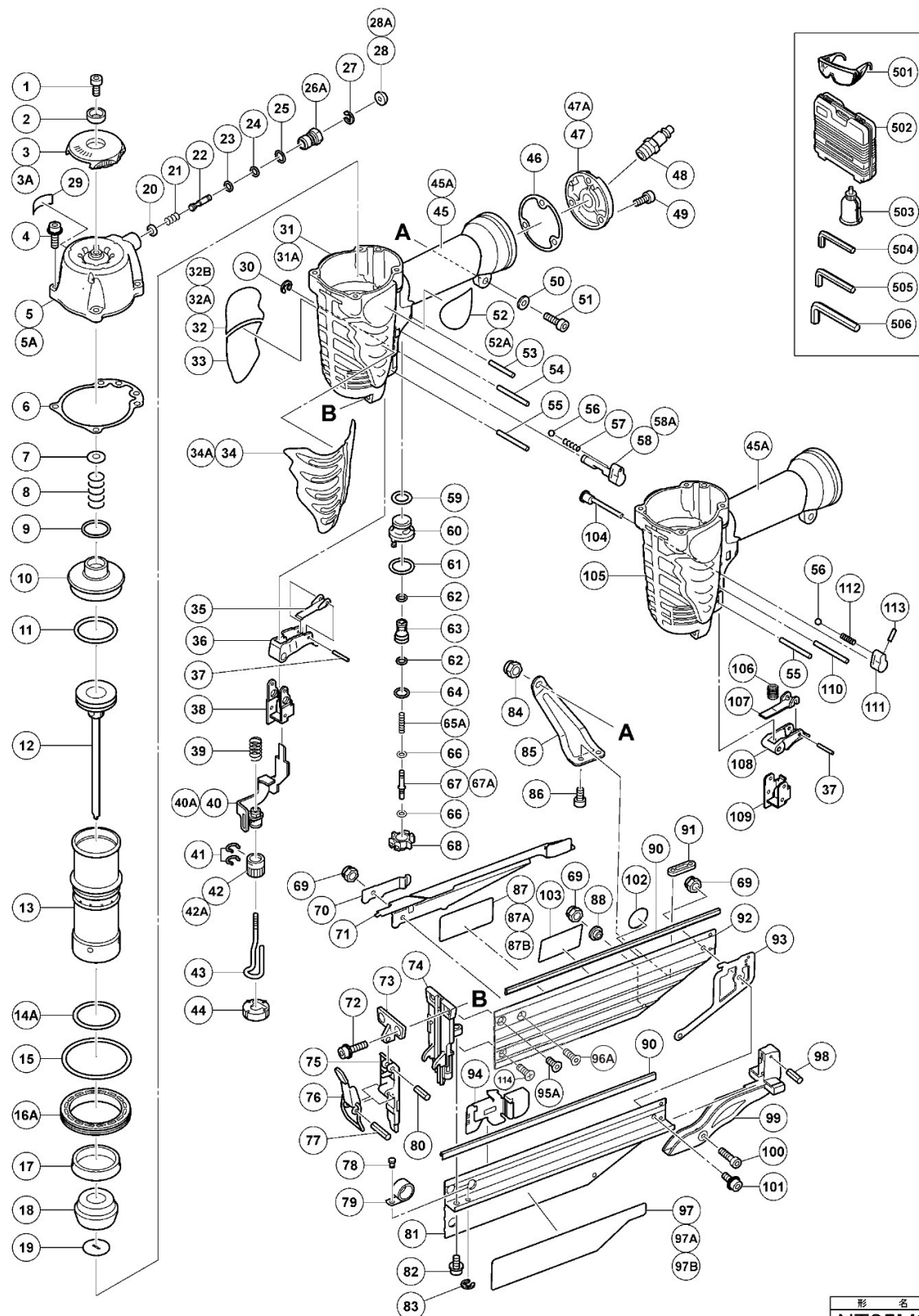


PNEUMATIC TOOL PARTS LIST

■ FINISH NAILER
Model NT 65M2

2014 • 03 • 11
(E2a)



PARTS

NT65M2

ITEM NO.	CODE NO.	DESCRIPTION	NO. USED	REMARKS
1	949657	HEX. SOCKET HD. BOLT M6X12 (10 PCS.)	1	
2	880515	PLATE	1	
3	885673	TOP COVER	1	(GLAY)
3A	886740	TOP COVER	1	(BLACK) FOR USA.CAN.MODEL (S)
4	885637	HEX. SOCKET HD. BOLT (W/SP.WASHER) M5X25	4	
5	885671	EXHAUST COVER	1	(BLACK)
5A	886739	EXHAUST COVER	1	(SILVER GREEN) FOR USA.CAN.MODEL (S)
6	885672	GASKET	1	
7	882914	HEAD BUMPER	1	
8	882913	HEAD VALVE SPRING	1	
9	883992	O-RING (I.D. 20.8)	1	
10	882927	HEAD VALVE (A)	1	
11	885668	O-RING (I.D 31.7)	1	
12	885667	PISTON	1	
13	885663	CYLINDER	1	
14A	880362	O-RING (S-44)	1	
15	885665	O-RING (I.D 59.6)	1	
16A	885664	CYLINDER PLATE	1	
17	885666	CYLINDER RING	1	
18	885669	PISTON BUMPER	1	
19	885670	BUMPER SHEET	1	
20	884338	VALVE PACKING	1	
21	881900	SPRING	1	
22	884333	PLUNGER	1	
23	881715	O-RING (S3)	1	
24	873093	O-RING (1AP-3)	1	
25	987105	O-RING (S-10)	1	
26A	887150	VALVE BUSHING	1	
27	968643	RETAINING RING (E-TYPE) FOR D4 SHAFT	1	
28	884334	KNOB	1	(GREEN)
28A	886743	KNOB	1	(BLACK) FOR USA.CAN.MODEL (S)
29		CAUTION PLATE	1	
30	955479	RETAINING RING (E-TYPE) FOR D6 SHAFT	1	
31	885662	BODY ASS'Y	1	INCLUD.45 (BLACK)
31A	886738	BODY ASS'Y	1	INCLUD.45A (SILVER GREEN) FOR USA.CAN
32		NAME PLATE	1	
32A		NAME PLATE	1	FOR MODEL (S) USA.CAN.AUS
32B		NAME PLATE	1	FOR MODEL (S) EUROPE
33		NAME PLATE (B)	1	
34	885675	PROTECTOR	1	(SILVER)
34A	886741	PROTECTOR	1	(BLACK) FOR USA.CAN.MODEL (S)
35	885689	TRIGGER ARM (C)	1	
36	885657	TRIGGER (C) ASS'Y	1	INCLUD.35.37
37	881951	ROLL PIN D2.5X16	1	
38	885640	PUSHING LEVER GUIDE	1	
39	885638	PUSHING LEVER SPRING	1	
40	885639	PUSHING LEVER (B)	1	
40A	887700	PUSHING LEVER (B)	1	FOR MODEL (S)
41	881765	RATCHET SPRING	2	
42	884325	ADJUSTER	1	(GREEN)
42A	886742	ADJUSTER	1	(BLACK) FOR USA.CAN.MODEL (S)
43	885688	PUSHING LEVER (A)	1	
44	881751	NOSE CAP (A)	1	
45		GRIP RUBBER (A) (GREEN)	1	SUPPLIED WITH ITEM NO.601.602
45A		GRIP RUBBER (A) (BLACK)	1	SUPPLIED WITH ITEM NO.601.602 FOR USA.CAN.MODEL (S)
46	884342	GASKET (B)	1	
47	885674	CAP (A)	1	(BLACK)
47A	884343	CAP (A)	1	(SILVER GREEN) FOR USA.CAN.MODEL (S)

Parts

NT65M2

ITEM NO.	CODE NO.	DESCRIPTION	NO. USED	REMARKS
48		AIR PLUG NPT 1/4	1	
49	949821	HEX. SOCKET HD. BOLT M5X16 (10 PCS.)	3	
50	885661	WASHER	1	
51	949757	HEX. SOCKET HD. BOLT M5X20 (10 PCS.)	1	
52		HITACHI LABEL (GREEN)	1	
52A		HITACHI LABEL (BLACK)	1	FOR USA.CAN.MODEL (S)
53	949539	ROLL PIN D3X25 (10 PCS.)	1	
54	884975	ROLL PIN D3X32	1	
55	949866	ROLL PIN D3X30 (10 PCS.)	1	
56	959155	STEEL BALL D3.97 (10 PCS.)	1	
57	982454	SPRING (C)	1	
58	885658	CHANGE KNOB (C)	1	(GREEN)
58A	886265	CHANGE KNOB (C)	1	(BLACK) FOR USA.CAN
59	877763	FEED PISTON O-RING (I.D. 14)	1	
60	884963	VALVE BUSHING (B)	1	
61	873570	O-RING (P-18)	1	
62	676531	O-RING (P-7)	2	
63	884964	VALVE PISTON	1	
64	872654	O-RING (1AP-10)	1	
65A	887178	PLUNGER SPRING	1	
66	878888	O-RING (I.D. 1.8)	2	
67	884965	PLUNGER	1	
67A	887679	PLUNGER	1	FOR MODEL (S)
68	884962	VALVE BUSHING (A)	1	
69	876465	NYLON NUT M4	3	
70	885646	COVER PLATE	1	
71	885648	MAGAZINE COVER	1	
72	885637	HEX. SOCKET HD. BOLT (W/SP.WASHER) M5X25	2	
73	885635	GUIDE PLATE (B)	1	
74	885636	BLADE GUIDE	1	
75	885634	GUIDE PLATE (A)	1	
76	884323	LOCK LEVER	1	
77	949685	ROLL PIN D3X20 (10 PCS.)	1	
78	885656	PIN	1	
79	885655	RIBBON SPRING	1	
80	949770	ROLL PIN D4X14 (10 PCS.)	1	
81	885641	MAGAZINE (A)	1	
82	885652	HEX. SOCKET HD. BOLT (W/SP.WASHER) M5X12	1	
83	872971	RETAINING RING (E-TYPE) FOR D3 SHAFT	1	
84	877371	NYLON NUT M5	1	
85	885659	HANDLE ARM	1	
86	949812	HEX. SOCKET HD. BOLT M4X10 (10 PCS.)	2	
48		AIR PLUG NPT 1/4	1	
49	949821	HEX. SOCKET HD. BOLT M5X16 (10 PCS.)	3	
50	885661	WASHER	1	
51	949757	HEX. SOCKET HD. BOLT M5X20 (10 PCS.)	1	
52		HITACHI LABEL (GREEN)	1	
52A		HITACHI LABEL (BLACK)	1	FOR USA.CAN.MODEL (S)
53	949539	ROLL PIN D3X25 (10 PCS.)	1	
54	884975	ROLL PIN D3X32	1	
55	949866	ROLL PIN D3X30 (10 PCS.)	1	
56	959155	STEEL BALL D3.97 (10 PCS.)	1	
57	982454	SPRING (C)	1	
58	885658	CHANGE KNOB (C)	1	(GREEN)
58A	886265	CHANGE KNOB (C)	1	(BLACK) FOR USA.CAN
59	877763	FEED PISTON O-RING (I.D. 14)	1	
60	884963	VALVE BUSHING (B)	1	
61	873570	O-RING (P-18)	1	
62	676531	O-RING (P-7)	2	
63	884964	VALVE PISTON	1	

Parts

NT65M2

ITEM NO.	CODE NO.	DESCRIPTION	NO. USED	REMARKS
64	872654	O-RING (1AP-10)	1	
65A	887178	PLUNGER SPRING	1	
66	878888	O-RING (I.D. 1.8)	2	
67	884965	PLUNGER	1	
67A	887679	PLUNGER	1	FOR MODEL (S)
68	884962	VALVE BUSHING (A)	1	
69	876465	NYLON NUT M4	3	
70	885646	COVER PLATE	1	
71	885648	MAGAZINE COVER	1	
72	885637	HEX. SOCKET HD. BOLT (W/SP.WASHER) M5X25	2	
73	885635	GUIDE PLATE (B)	1	
74	885636	BLADE GUIDE	1	
75	885634	GUIDE PLATE (A)	1	
76	884323	LOCK LEVER	1	
77	949685	ROLL PIN D3X20 (10 PCS.)	1	
78	885656	PIN	1	
79	885655	RIBBON SPRING	1	
80	949770	ROLL PIN D4X14 (10 PCS.)	1	
81	885641	MAGAZINE (A)	1	
82	885652	HEX. SOCKET HD. BOLT (W/SP.WASHER) M5X12	1	
83	872971	RETAINING RING (E-TYPE) FOR D3 SHAFT	1	
84	877371	NYLON NUT M5	1	
85	885659	HANDLE ARM	1	
86	949812	HEX. SOCKET HD. BOLT M4X10 (10 PCS.)	2	
87		LABEL	1	
64	872654	O-RING (1AP-10)	1	
65A	887178	PLUNGER SPRING	1	
66	878888	O-RING (I.D. 1.8)	2	
67	884965	PLUNGER	1	
67A	887679	PLUNGER	1	FOR MODEL (S)
68	884962	VALVE BUSHING (A)	1	
69	876465	NYLON NUT M4	3	
70	885646	COVER PLATE	1	
71	885648	MAGAZINE COVER	1	
72	885637	HEX. SOCKET HD. BOLT (W/SP.WASHER) M5X25	2	
73	885635	GUIDE PLATE (B)	1	
74	885636	BLADE GUIDE	1	
75	885634	GUIDE PLATE (A)	1	
76	884323	LOCK LEVER	1	
77	949685	ROLL PIN D3X20 (10 PCS.)	1	
78	885656	PIN	1	
79	885655	RIBBON SPRING	1	
80	949770	ROLL PIN D4X14 (10 PCS.)	1	
81	885641	MAGAZINE (A)	1	
82	885652	HEX. SOCKET HD. BOLT (W/SP.WASHER) M5X12	1	
83	872971	RETAINING RING (E-TYPE) FOR D3 SHAFT	1	
84	877371	NYLON NUT M5	1	
85	885659	HANDLE ARM	1	
86	949812	HEX. SOCKET HD. BOLT M4X10 (10 PCS.)	2	
87		LABEL	1	
87A		LABEL	1	FOR MODEL (S) USA.CAN.AUS
87B		LABEL	1	FOR MODEL (S) EUROPE
88	885649	SLEEVE	1	
90	885643	NAIL RAIL	2	
91	885660	ARM PLATE	1	
92	885642	MAGAZINE (B)	1	
93	885644	SPACER	1	
94	885654	NAIL FEEDER	1	
95A	887680	SEAL LOCK FLAT HD. SCREW M4X6	1	

STANDARD ACCESSORIES

NT65M2

ITEM NO.	CODE NO.	DESCRIPTION	NO. USED	REMARKS
501	875769	SAFETY GLASSES	1	
502	885676	CASE	1	
503	877153	PNEUMATIC TOOL LUBRICANT (30CC)	1	FOR EUROPE
504	943277	HEX. BAR WRENCH 3MM	1	FOR EUROPE
505	944458	HEX. BAR WRENCH 4MM	1	FOR EUROPE
506	944459	HEX. BAR WRENCH 5MM	1	FOR EUROPE

OPTIONAL ACCESSORIES

ITEM NO.	CODE NO.	DESCRIPTION	NO. USED	REMARKS
601	881768	GRIP TAPE (A)	1	
602	880407	TAPE	2	
603	885914	O-RING KIT	1	INCLUD.604-610
604	885672	GASKET	1	
605	883992	O-RING (I.D. 20.8)	1	
606	885668	O-RING (I.D 31.7)	1	
607A	880362	O-RING (S-44)	1	
608	885665	O-RING (I.D 59.6)	1	
609	885666	CYLINDER RING	1	
610		HANDLING INSTRUCTION	1	
611	887916	SINGLE SEQUENTIAL ACTUATION MECHANISM KIT	1	FOR MODEL (S) EUROPE.AUS

