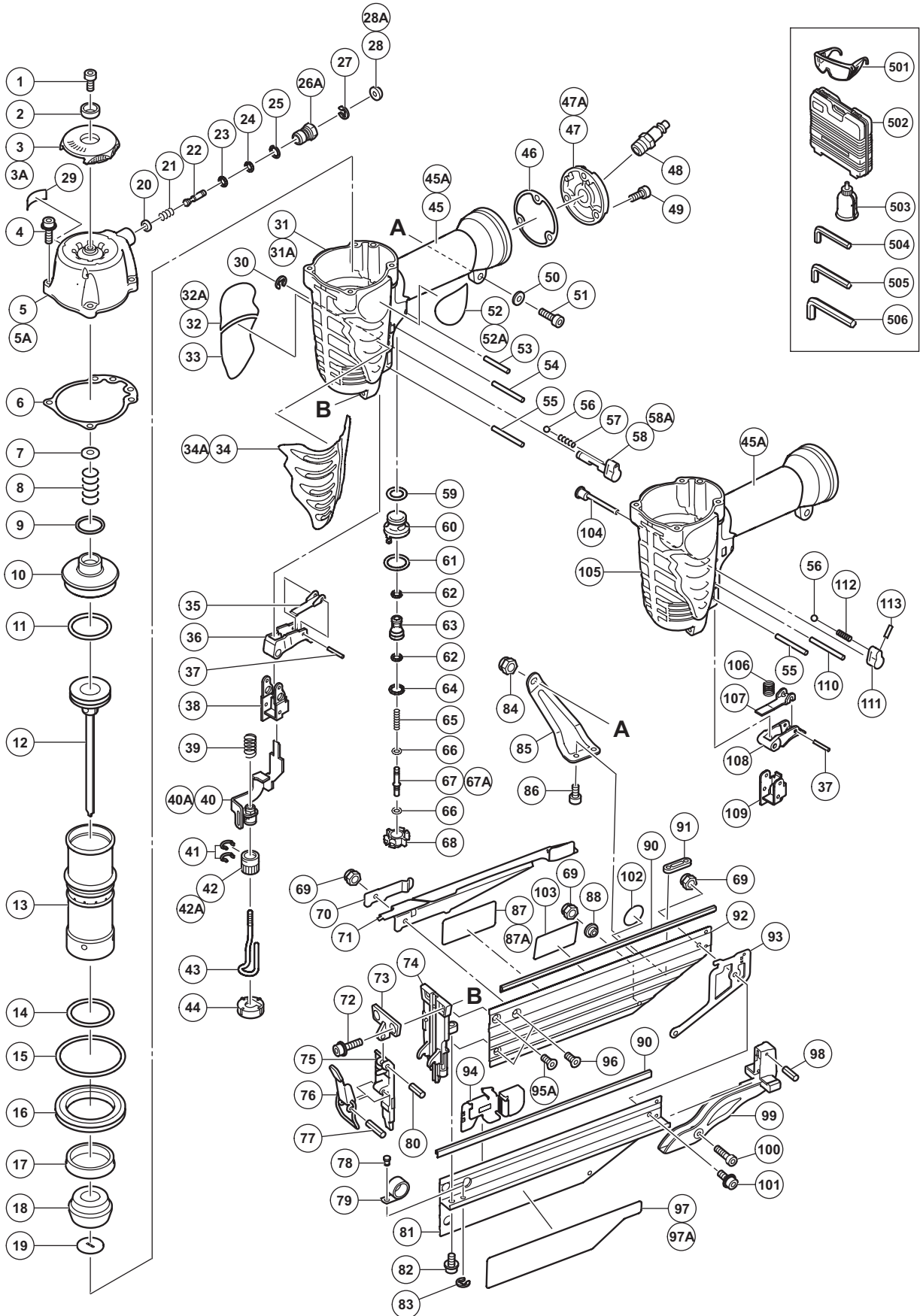


PNEUMATIC TOOL PARTS LIST

■ FINISH NAILER
Model NT 65M2

2011·1·25
(E2)



PARTS

NT 65M2

ITEM NO.	CODE NO.	DESCRIPTION	NO. USED	REMARKS
1	949-657	HEX. SOCKET HD. BOLT M6 X 12 (10 PCS.)	1	
2	880-515	PLATE	1	
* 3	885-673	TOP COVER	1	(GLAY)
* 3A	886-740	TOP COVER	1	(BLACK) FOR USA, CAN
4	885-637	HEX. SOCKET HD. BOLT (W/SP.WASHER) M5 X 25	4	
* 5	885-671	EXHAUST COVER	1	(BLACK)
* 5A	886-739	EXHAUST COVER	1	(SILVER GREEN) FOR USA, CAN
6	885-672	GASKET	1	
7	882-914	HEAD BUMPER	1	
8	882-913	HEAD VALVE SPRING	1	
9	883-992	O-RING (I.D. 20.8)	1	
10	882-927	HEAD VALVE (A)	1	
11	885-668	O-RING (I.D 31.7)	1	
12	885-667	PISTON	1	
13	885-663	CYLINDER	1	
14A	880-362	O-RING (S-44)	1	
15	885-665	O-RING (I.D 59.6)	1	
16	885-664	CYLINDER PLATE	1	
17	885-666	CYLINDER RING	1	
18	885-669	PISTON BUMPER	1	
19	885-670	BUMPER SHEET	1	
20	884-338	VALVE PACKING	1	
21	881-900	SPRING	1	
22	884-333	PLUNGER	1	
23	881-715	O-RING (S3)	1	
24	873-093	O-RING (1AP-3)	1	
25	987-105	O-RING (S-10)	1	
26A	887-150	VALVE BUSHING	1	
27	968-643	RETAINING RING (E-TYPE) FOR D4 SHAFT	1	
* 28	884-334	KNOB	1	(GREEN)
* 28A	886-743	KNOB	1	(BLACK) FOR USA, CAN
29		CAUTION PLATE	1	
* 30	955-479	RETAINING RING (E-TYPE) FOR D6 SHAFT	1	
* 31	885-662	BODY ASS'Y	1	INCLUD. 45 (BLACK)
* 31A	886-738	BODY ASS'Y	1	INCLUD. 45A (SILVER GREEN) FOR USA, CAN
* 32		NAME PLATE	1	
* 32A		NAME PLATE	1	FOR MODEL (S)
33		NAME PLATE (B)	1	
* 34	885-675	PROTECTOR	1	(SILVER)
* 34A	886-741	PROTECTOR	1	(BLACK) FOR USA, CAN
* 35	885-689	TRIGGER ARM (C)	1	
* 36	885-657	TRIGGER (C) ASS'Y	1	INCLUD. 35, 37
37	881-951	ROLL PIN D2.5 X 16	1	
* 38	885-640	PUSHING LEVER GUIDE	1	
39	885-638	PUSHING LEVER SPRING	1	
* 40	885-639	PUSHING LEVER (B)	1	
* 40A	887-700	PUSHING LEVER (B)	1	FOR MODEL (S)
41	881-765	RATCHET SPRING	2	
* 42	884-325	ADJUSTER	1	(GREEN)
* 42A	886-742	ADJUSTER	1	(BLACK) FOR USA, CAN

PARTS

NT 65M2

ITEM NO.	CODE NO.	DESCRIPTION	NO. USED	REMARKS
43	885-688	PUSHING LEVER (A)	1	
44	881-751	NOSE CAP (A)	1	
* 45		GRIP RUBBER (A) (GREEN)	1	SUPPLIED WITH ITEM NO. 601, 602
* 45A		GRIP RUBBER (A) (BLACK)	1	SUPPLIED WITH ITEM NO. 601, 602
				FOR USA, CAN
46	884-342	GASKET (B)	1	
* 47	885-674	CAP (A)	1	(BLACK)
* 47A	884-343	CAP (A)	1	(SILVER GREEN) FOR USA, CAN
48		AIR PLUG NPT 1/4	1	
49	949-821	HEX. SOCKET HD. BOLT M5 X 16 (10 PCS.)	3	
50	885-661	WASHER	1	
51	949-757	HEX. SOCKET HD. BOLT M5 X 20 (10 PCS.)	1	
* 52		HITACHI LABEL (GREEN)	1	
* 52A		HITACHI LABEL (BLACK)	1	FOR USA, CAN
53	949-539	ROLL PIN D3 X 25 (10 PCS.)	1	
54	884-975	ROLL PIN D3 X 32	1	
55	949-866	ROLL PIN D3 X 30 (10 PCS.)	1	
56	959-155	STEEL BALL D3.97 (10 PCS.)	1	
* 57	982-454	SPRING (C)	1	
* 58	885-658	CHANGE KNOB (C)	1	(GREEN)
* 58A	886-265	CHANGE KNOB (C)	1	(BLACK) FOR USA, CAN
59	877-763	FEED PISTON O-RING (I.D. 14)	1	
60	884-963	VALVE BUSHING (B)	1	
61	873-570	O-RING (P-18)	1	
62	676-531	O-RING (P-7)	2	
63	884-964	VALVE PISTON	1	
64	872-654	O-RING (1AP-10)	1	
65A	887-178	PLUNGER SPRING	1	
66	878-888	O-RING (I.D. 1.8)	2	
* 67	884-965	PLUNGER	1	
* 67A	887-679	PLUNGER	1	FOR MODEL (S)
68	884-962	VALVE BUSHING (A)	1	
69	876-465	NYLON NUT M4	3	
70	885-646	COVER PLATE	1	
71	885-648	MAGAZINE COVER	1	
72	885-637	HEX. SOCKET HD. BOLT (W/SP.WASHER) M5 X 25	2	
73	885-635	GUIDE PLATE (B)	1	
74	885-636	BLADE GUIDE	1	
75	885-634	GUIDE PLATE (A)	1	
76	884-323	LOCK LEVER	1	
77	949-685	ROLL PIN D3 X 20 (10 PCS.)	1	
78	885-656	PIN	1	
79	885-655	RIBBON SPRING	1	
80	949-770	ROLL PIN D4 X 14 (10 PCS.)	1	
81	885-641	MAGAZINE (A)	1	
82	885-652	HEX. SOCKET HD. BOLT (W/SP.WASHER) M5 X 12	1	
83	872-971	RETAINING RING (E-TYPE) FOR D3 SHAFT	1	
84	877-371	NYLON NUT M5	1	
85	885-659	HANDLE ARM	1	
86	949-812	HEX. SOCKET HD. BOLT M4 X 10 (10 PCS.)	2	

STANDARD ACCESSORIES

NT 65M2

ITEM NO.	CODE NO.	DESCRIPTION	NO. USED	REMARKS	
	501	875-769	SAFETY GLASSES	1	
	502	885-676	CASE	1	
*	503	877-153	PNEUMATIC TOOL LUBRICANT (30CC)	1	FOR EUROPE
*	504	943-277	HEX. BAR WRENCH 3MM	1	FOR EUROPE
*	505	944-458	HEX. BAR WRENCH 4MM	1	FOR EUROPE
*	506	944-459	HEX. BAR WRENCH 5MM	1	FOR EUROPE

OPTIONAL ACCESSORIES

ITEM NO.	CODE NO.	DESCRIPTION	NO. USED	REMARKS	
	601	881-768	GRIP TAPE (A)	1	
	602	880-407	TAPE	2	
	603	885-914	O-RING KIT	1	INCLUD. 604-610
	604	885-672	GASKET	1	
	605	883-992	O-RING (I.D. 20.8)	1	
	606	885-668	O-RING (I.D. 31.7)	1	
	607	885-690	O-RING (S-44)	1	
	608	885-665	O-RING (I.D. 59.6)	1	
	609	885-666	CYLINDER RING	1	
	610		HANDLING INSTRUCTION	1	

