

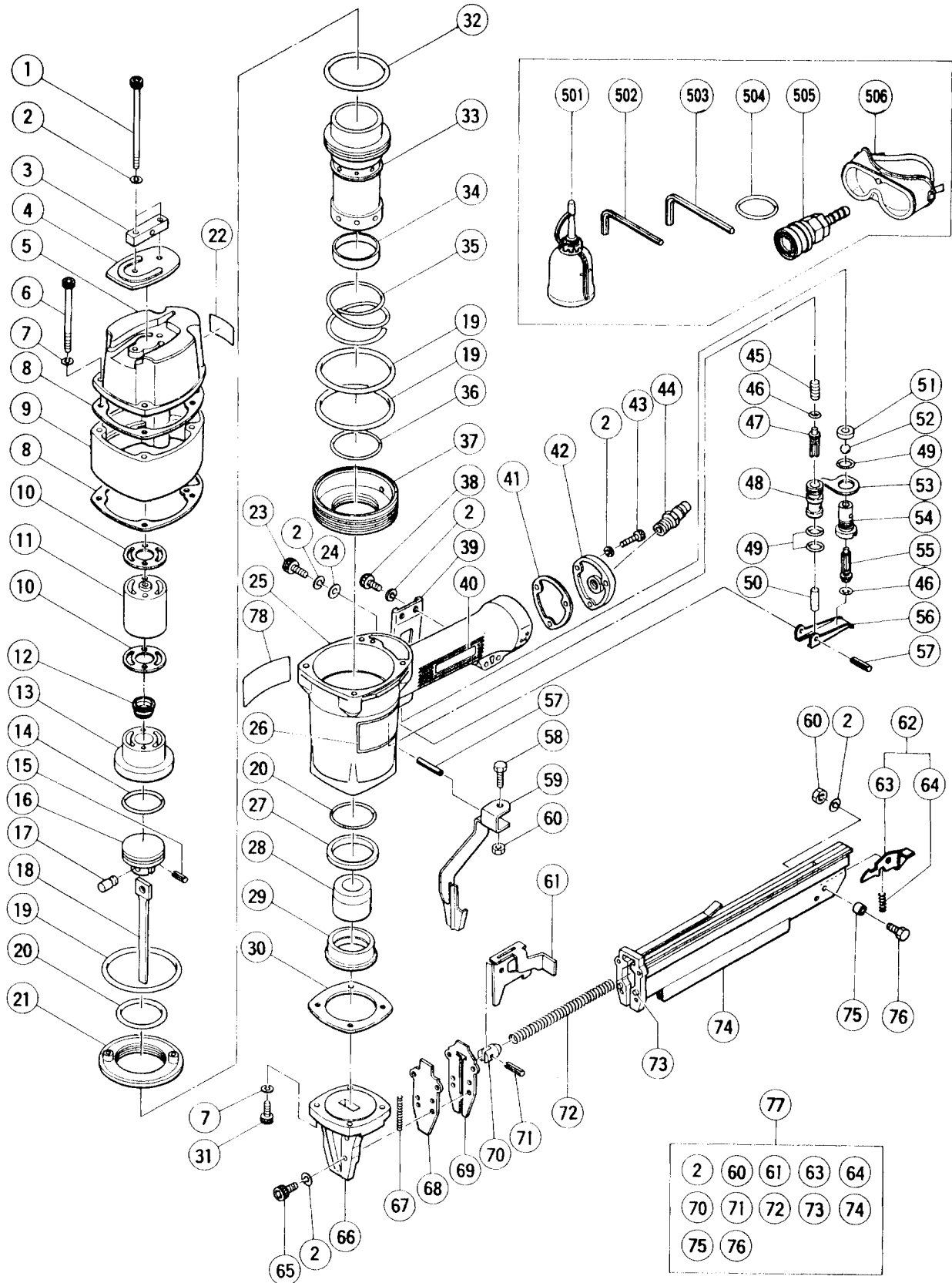
PNEUMATIC TOOL PARTS LIST

■ T - NAILER

1992 · 6 · 30

Model NT 65AB

(E2)



PARTS

NT 65AB

ITEM NO.	CODE NO.	DESCRIPTION	NO. USED	REMARKS
1	876-607	HEX. SOCKET HD. BOLT M5X90	2	
2	949-454	SPRING WASHER M5 (10 PCS.)	13	
3	876-618	HANGER	1	
4	876-444	TOP COVER	1	
5	876-621	EXHAUST COVER (C)	1	
6	876-605	HEX. SOCKET HD. BOLT M6X70	4	
7	949-455	SPRING WASHER M6 (10 PCS.)	8	
8	876-441	PACKING (B)	2	
9	876-622	UPPER COVER	1	
10	876-749	PACKING (G)	2	
11	876-606	EXHAUST PIECE	1	
12	878-417	EXHAUST VALVE	1	
13	876-442	HEAD CAP (C)	1	
14	931-835	O - RING (P - 36)	1	
15	949-861	ROLL PIN D2X12 (10 PCS.)	1	
16	876-602	PISTON	1	
17	875-613	BIT PIN	1	
18	876-603	DRIVE BIT	1	
19	874-104	CYLINDER O - RING (I.D 68.3MM)	3	
20	875-602	CYLINDER O - RING (I.D 50.9MM)	2	
21	876-435	CYLINDER PLATE	1	
* 22		CAUTION PLATE	1	FOR USA,EUROPE
23	877-839	SEAL LOCK HEX. SOCKET HD. BOLT M5X10	1	
24	949-431	BOLT WASHER M5 (10 PCS.)	2	
* 25	876-623	BODY CAP ASS'Y	1	INCLUD.41,42
* 25	877-062	BODY CAP ASS'Y	1	INCLUD.41,42 FOR USA,EUROPE
26		NAME PLATE	1	
27	876-733	CYLINDER DAMPER	1	
28	876-601	PISTON DAMPER	1	
29	876-600	DAMPER RING	1	
30	876-449	PACKING (A)	1	
31	949-687	HEX. SOCKET HD. BOLT M6X28 (10 PCS.)	4	
32	877-312	CYLINDER O - RING (I.D 63.1MM)	1	
33	876-732	CYLINDER	1	
34	876-434	CYLINDER RING	1	
35	875-605	CYLINDER SPRING	1	
36	876-433	CYLINDER O - RING B (I.D 55.9MM)	1	
37	876-731	CYLINDER GUIDE	1	
38	949-820	HEX. SOCKET HD. BOLT M5X15 (10 PCS.)	2	
39	876-616	HANDLE ARM	1	
40	950-565	HITACHI LABEL	1	
41	877-331	PACKING (D)	1	
* 42	877-386	CAP	1	
* 42	877-367Z	CAP	1	FOR USA,EUROPE
43	949-757	HEX. SOCKET HD. BOLT M5X20 (10 PCS.)	3	
* 44	874-782	AIR PLUG PT 1/4	1	
* 44	872-035	DUST CAP	1	FOR USA,EUROPE
45	875-643	PLUNGER SPRING	1	
46	874-820	PLUNGER O - RING	2	
47	878-122	PLUNGER (A)	1	
48	878-266	VALVE BUSHING	1	

*: ALTERNATIVE PARTS

