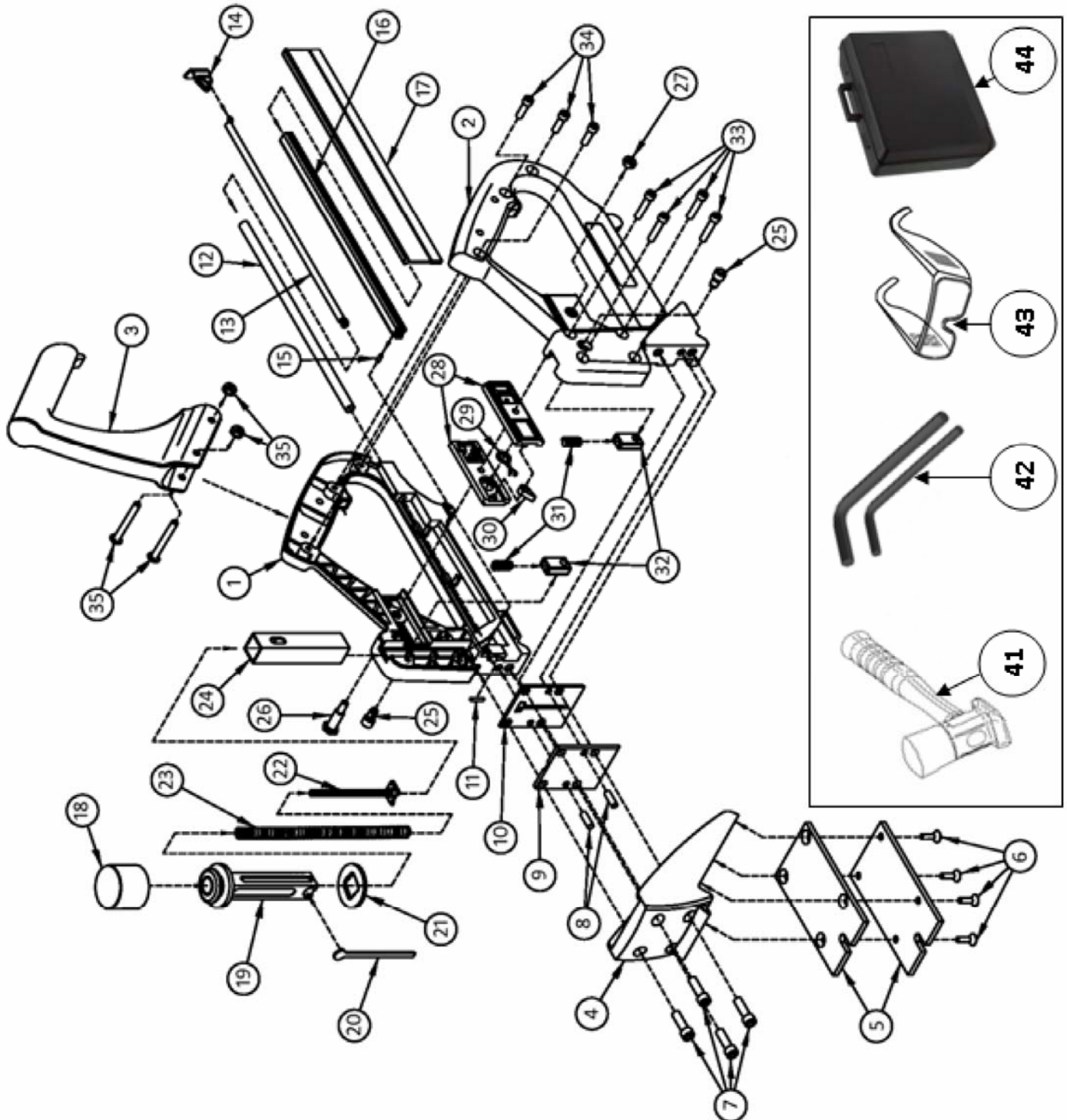


FLOORING TOOL PARTS LIST

■ 2" FLOORING T CLEAT NAILER
Model NT50YF

2009 • 07 • 27
(E1)



Parts List

NT50YF

Item #	Code #	DESCRIPTION	NO USED	Remarks
1	330276	Body - R.H.		
2	330277	Body - L.H.		
3	330278	Extension Handle (Includes #35)		
4		Tongue Nailing Shoe (See Ref. #36)		
5	330280	Tongue Nailing Shoe Base (2 ea.)		
6	330281	Tongue Nailing Shoe Base Screws (4 ea.)		
7	330285	Shoe Screws (4 ea.)		
8	330286	Wear Plate / Shear Plate Dowels (2 ea.)		
9	330287	Wear Plate		
10	330288	Shear Plate		
11	330289	Pusher Spring Roll Pin 1/8 x 5/8		
12		Pusher Spring Tube (See Ref. #39)		
13	330290	Pusher Spring		
14	330291	Connector		
15	330292	Rail Spring Pin 1/8 x 3/8		
16	330293	Rail		
17	330294	Pusher		
18	330295	Rubber Ram Cup		
19	330296	Ram (Includes #18, 21, 23)		
20	330297	Driver Blade		
21	330298	Ram Washer		
22	330299	Ram Spring Guide		
23	330300	Ram Spring		
24	330301	Ram Guide		
25	330302	Ram Stop Screws (2 ea.)		
26	330303	Shoulder Screw (Includes #27)		
27		Shoulder Screw Nut (See Ref. #26)		
28	330305	Pawl Housing Set		
29	330306	Pawl Spring		
30	330307	Pawl		
31	330308	Ram Stop Springs (2 ea.)		
32	330309	Ram Stop Block		
33	330310	Nailer Body Screws (4 ea.)		
34	330311	Body Handle Screws (3 ea.)		
35	330312	Extension Handle Fasteners		
36	330316	Tongue Nailing Shoe Assembly (Includes #4, 5, 6)		
37		Spare Parts Package (Includes #21, 23) (See Ref. #42)		
38	330321	Pawl Housing Assembly (Includes #28, #29, 30)		
39	330322	Pusher Spring Tube Assembly (Includes #12, 13, 14)		
40	330323	Starter Parts Kit (Includes #9, 10, 17, 18, 20, 21, 22, 23, 29, 30)		
41	330319	Hammer		
42	330324	Wrench Set (service parts kit)		
43	875769	Safety Glasses		
44	330325	Carrying Case		
45	330626	Cap — Hammer — Rubber		
46	330627	Handle — Hammer w/ Wedge		
47	330628	Hammer Head — Machined		
48				
49				
50				