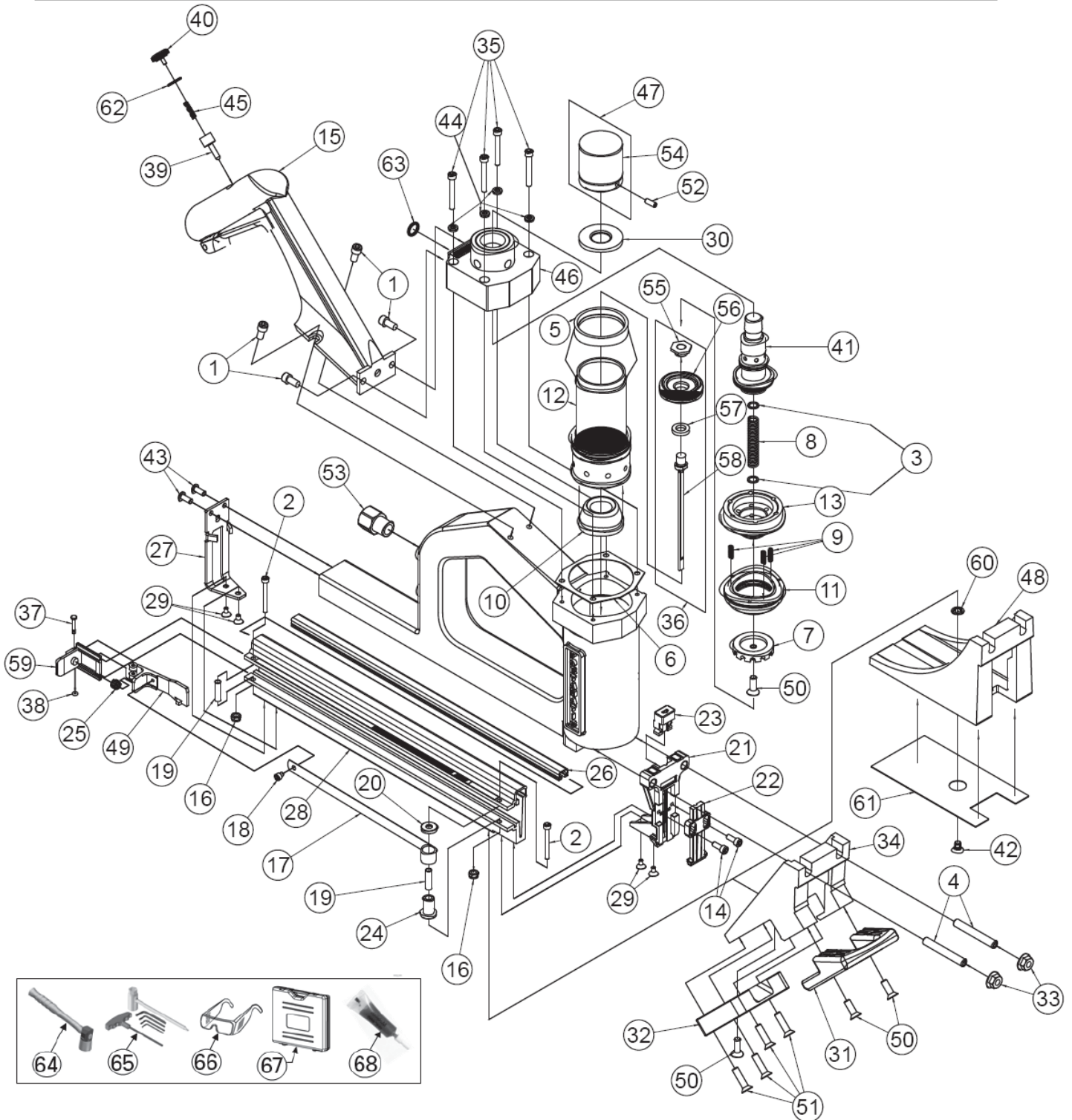


PNEUMATIC TOOL PARTS LIST

■ 2" FLOORING T CLEAT NAILER
Model NT50AGF

2009 • 07 • 28
(E1)



Parts List

NT50AGF

Item #	Code #	DESCRIPTION	NO USED	Remarks
1	330391	Screw (Socket Cap 1/4-20 x 1/2")	4	
2	330392	Screws (Socket Cap 8-32 x 1-1/5")	2	
3	330393	Washer	2	
4	330394	Screw (Socket Set 5/16-18 x 2-1/4")	2	
5	330395	Cylinder Cushion Ring		
6	330396	Head Gasket		
7	330397	Cylinder Exhaust Valve		
8	330398	Spring - Return		
9	330399	Spring - Discharge	3	
10	330400	Piston Cushion		
11	330401	Discharge Valve & O-Rings		
12	330402	Cylinder & O-Rings		
13	330403	Valve Body & O-Ring		
14	330404	Gate Screws		
15	330405	Extension Handle Assembly w/Safety (Includes 39,40,45)		
16	330406	Nut – Magazine / Standoff Screws (Nyloc 8-32)	2	
17	330407	Spring - Constant Force & Screw (Ref 18)		
18	330408	Screw – Constant Force Spring (Socket Cap 8-32 x 3/16")		
19	330409	Magazine Standoff		
20	330410	Spindle Cap		
21	330411	Guide Assembly (Includes 14,22)		
22	330412	Gate		
23	330413	Restrictor Plate		
24	330414	Spindle – Constant Force Spring		
25	330415	Spring – Compression – Pusher Finger / Pusher Bracket		
26	330416	Rail		
27	330417	Magazine Retainer Bracket		
28	330418	Magazine		
29	330419	Screws (Socket Flat Head 10-32 x 3/8")	4	
30	330420	Ram Washer		
31	330421	Shoe Base Pad – 3/4" Flooring		
32	330422	Shoe Base – 3/4" Flooring		
33	330423	Flange Nut – Shoe / Body (Serrated Flange Nut 5/16-18)	2	
34	330424	Shoe - Angled		
35	330425	Screws (Socket Cap 10-24 x 1-1/2")W/4 Washers (Ref 44)	4	
36	330426	Driver Assembly (Includes 55,56,57,58, & O-Ring)		
37	330427	Pusher Pivot Pin (Includes 38)		
38	330428	Lock Ring – Pusher Pivot Pin		
39	330429	Safety Stem		
40	330430	Cover – Safety		
41	330431	Main Valve Assembly & O-Rings		
42	330432	Screw (Machine Flat Head Phillips 1/4-20 x 3/8")		
43	330433	Screws (Socket Button Head 10-32 x 5/16")	2	
44	330434	Washers – Valve Housing Screws	4	
45	330435	Spring – Safety		
46	330436	Valve Housing Assembly		
47	330437	Ram Head Assembly w/Cap & Screw (Ref 52 & 54)		
48	330438	Face Nailing Shoe		
49	330439	Pusher Finger		
50	330440	Screws (Machine Flat Head Phillips 1/4-20 x 3/4")	4	

