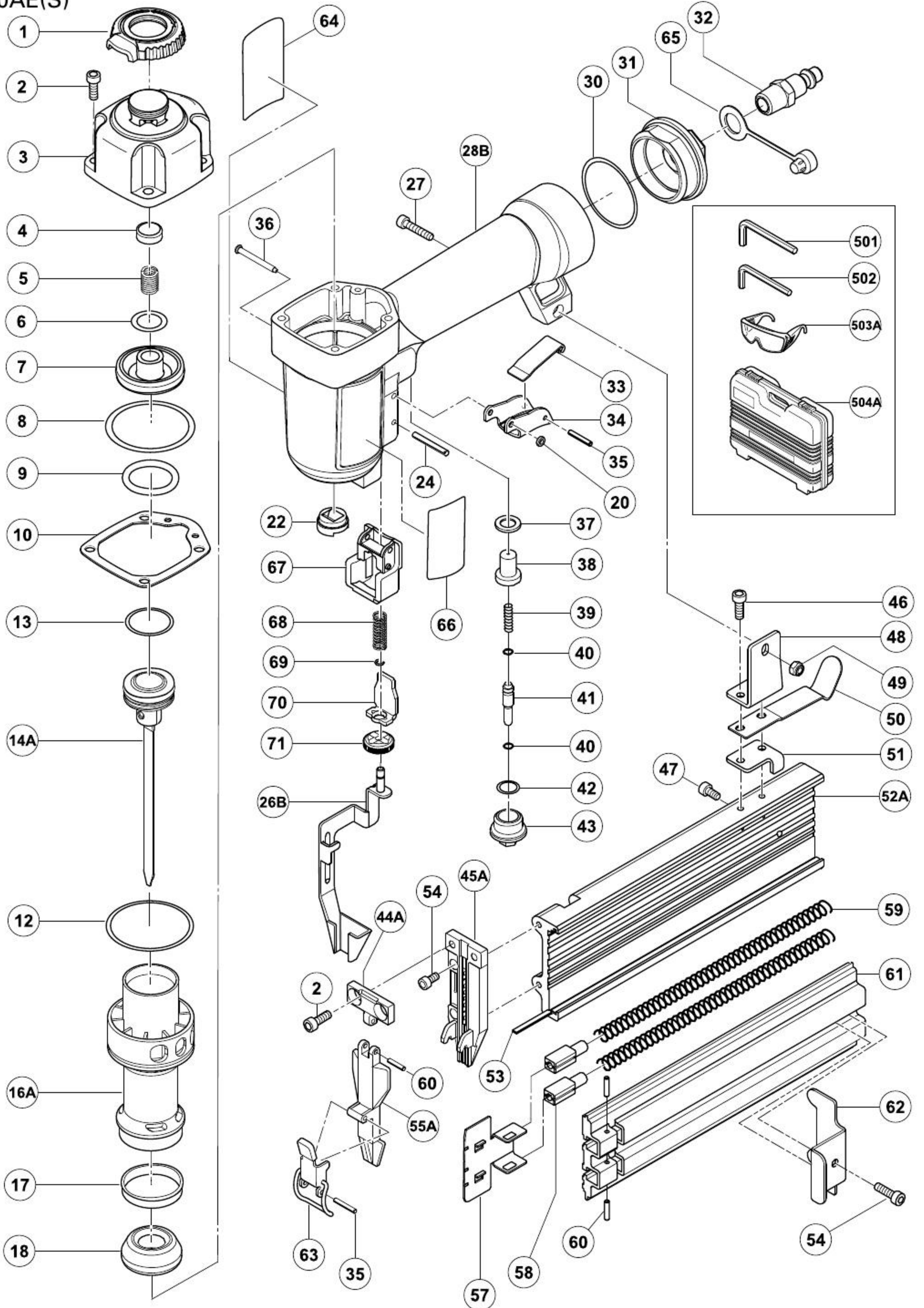


NT50AE(S)



NT50AE(S)

Item No.	Code No.	Part Name	Q'ty
1	882-270	Deflector	1
2	882-271	Bolt M5 x 20	6
3	882-272	Cap	1
4	882-273	Seal	1
5	882-274	Spring	1
6	882-275	O-Ring (I.D. 13.8)	1
7	882-276	Hd. Valve Piston	1
8	882-277	O-Ring (I.D. 31.8)	1
9	882-278	O-Ring (I.D. 23)	1
10	882-279	Packing	1
12	882-281	O-Ring (I.D. 43)	1
13	882-282	O-Ring (I.D. 21.7)	1
14A	882-340	Driver Unit	1
16A	882-333	Cylinder	1
17	882-286	Cylinder Ring	1
18	882-287	Bumper	1
20	882-296	Ring	1
22	882-288	Joint Guide	1
24	882-306	Spring Pin D3 x 25	1
26B	882-341	Safety	1
27	882-314	Hex. Socket Hd. Bolt M4 x 16	1
28B	885-049	Body	1
30	882-302	O-Ring (I.D. 37)	1
31	882-303	End Cap	1
32	882-304	Air Plug	1
33	882-297	Safety	1
34	882-298	Trigger	1
35	882-299	Spring Pin D2.5 x 16	2
36	882-300	Stepped Pin	1
37	882-289	Seal	1
38	882-290	Trigger Valve Head	1
39	882-291	Spring	1
40	882-293	O-Ring (I.D. 2.5)	2
41	882-292	Trigger Valve Stem	1
42	882-294	O-Ring (I.D. 13)	1
43	882-295	Trigger Valve Guide	1
44A	882-335	Driver Guide Cover (B)	1
45A	882-336	Driver Guide	1
46	882-315	Bolt M4 x 12	2
47	882-328	Bolt M4 x 8	1
48	882-317	Fixed Plate	1
49	882-316	Lock Nut M4	1
50	882-318	Stopper	1

Item No.	Code No.	Part Name	Q'ty
51	882-319	Stopper	1
52A	882-342	Magazine Unit (A)	1
53	882-321	Flat Bar	1
54	882-311	Hex. Socket Hd. Bolt M4 x 14	4
55A	882-337	Guide Plate (A)	1
57	992-324	Pusher	1
58	882-323	Shaft	2
59	882-322	Spring	2
60	882-327	Spring Pin D2.5 x 12	3
61	882-326	Magazine Unit (B)	1
62	882-325	Stopper	1
63	882-338	Rock Lever	1
64	—	Warning Label	1
65	885-050	Dust Cover	1
66	—	Nameplate	1
67	885-065	Safety Guide	1
68	885-064	Spring	1
69	885-072	Ring	1
70	885-071	Safety(B)	1
71	885-073	Adjuster	1
501	944-458	Allen Wrench 4MM	1
502	943-277	Allen Wrench 3MM	1
503A	875-769	Eye Protector	1
504A	882-343	Plastic Case	1

Parts are subject to change without any obligation on the part of the HITACHI due to improvements.