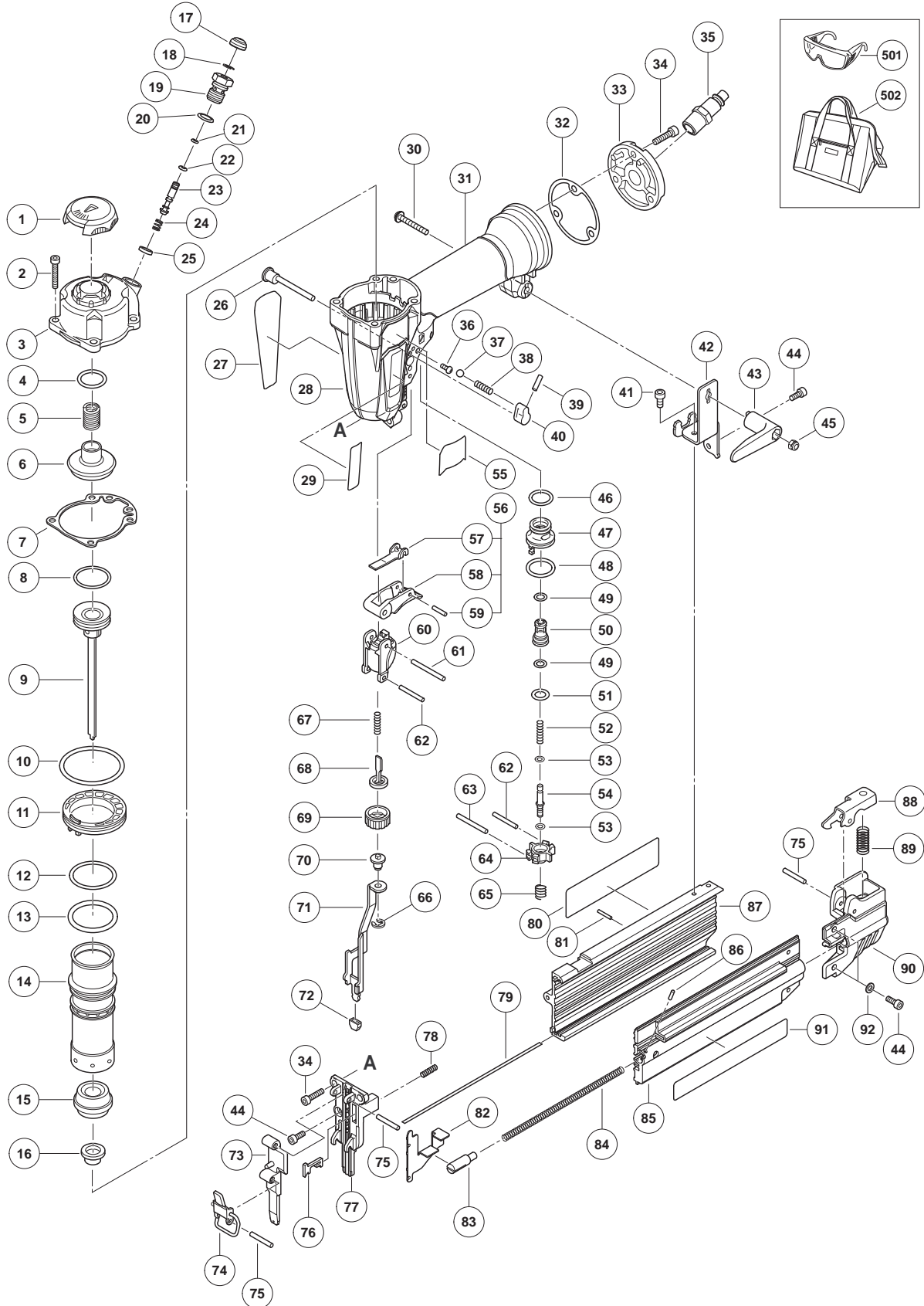


PNEUMATIC TOOL PARTS LIST

BRAD NAILER Model NT 50A5

2018-6-27
(E1)



PARTS

NT 50A5

ITEM NO.	CODE NO.	DESCRIPTION	NO. USED	REMARKS
1	886197	TOP COVER	1	
2	949757	HEX. SOCKET HD. BOLT M5 X 20 (10 PCS.)	4	
3	889494	EXHAUST COVER	1	
4	878600	HEAD VALVE O-RING	1	
5	880190	HEAD VALVE SPRING	1	
6	880410	HEAD VALVE (A)	1	
7	885868	GASKET	1	
8	886068	O-RING (P22.4)	1	
9	885870	PISTON	1	
10	885871	O-RING (I.D 44.7)	1	
11	885872	CYLINDER PLATE	1	
12	301684	O-RING (S-30)	1	
13	986374	O-RING (P-32)	1	
14	885873	CYLINDER	1	
15	885874	PISTON BUMPER	1	
16	885875	BUMPER PIECE	1	
17	886743	KNOB	1	
18	968643	RETAINING RING (E-TYPE) FOR D4 SHAFT	1	
19	887150	VALVE BUSHING	1	
20	987105	O-RING (S-10)	1	
21	881715	O-RING (S3)	1	
22	873093	O-RING (1AP-3)	1	
23	884333	PLUNGER	1	
24	887177	SPRING	1	
25	884338	VALVE PACKING	1	
26	888798	CHANGE ROD (D)	1	
27	889538	LABEL	1	
28	889493	BODY ASS'Y	1	INCLUD.31
* 29	889535	BRAND LABEL	1	FOR HITACHI
* 29	889540	BRAND LABEL	1	FOR METABOHPPT
30	887138	MACHINE SCREW (W/WASHER) M5 X 40 (BLACK)	1	
31		GRIP RUBBER	1	SUPPLIED WITH ITEM NO.601,602
32	887171	GASKET (B)	1	
33	886734	CAP (A)	1	
34	949821	HEX. SOCKET HD. BOLT M5 X 16 (10 PCS.)	5	
35	890047	AIR PLUG NPT 1/4	1	
36	949202	MACHINE SCREW M3 X 6 (10 PCS.)	1	
37	959155	STEEL BALL D3.97 (10 PCS.)	1	
38	887673	SPRING	1	
39	887458	ROLL PIN D3 X 10 (10 PCS.)	1	
40	887684	CHANGE KNOB (D)	1	
41	878614	NYLOCK HEX. SOCKET HD. BOLT M4 X 8	2	
42	889486	HANDLE ARM	1	
43	886940	HOOK	1	
44	880413	NYLOCK HEX. SOCKET HD. BOLT M4 X 10	4	
45	877371	NYLON NUT M5	1	
46	877763	FEED PISTON O-RING (I.D. 14)	1	
47	884963	VALVE BUSHING (B)	1	
48	873570	O-RING (P-18)	1	
49	889335	O-RING (P-7)	2	

PARTS

NT 50A5

ITEM NO.	CODE NO.	DESCRIPTION	NO. USED	REMARKS
50	884964	VALVE PISTON	1	
51	889495	O-RING (1AP-10)	1	
52	887178	PLUNGER SPRING	1	
53	878888	O-RING (I.D. 1.8)	2	
54	887679	PLUNGER	1	
* 55	889537	NAME PLATE	1	FOR HITACHI
* 55	889536	NAME PLATE	1	FOR METABOHPT
56	887756	TRIGGER (D) ASS'Y	1	INCLUD.57-59
57	887755	TRIGGER ARM (D)	1	
58	887695	TRIGGER (D)	1	
59	881951	ROLL PIN D2.5 X 16	1	
60	887686	PUSHING LEVER GUIDE (D)	1	
61	887675	ROLL PIN D3 X 35	1	
62	887621	ROLL PIN D3 X 25	2	
63	371080	ROLL PIN D3 X 32	1	
64	884962	VALVE BUSHING (A)	1	
65	887752	TRIGGER ARM SPRING	1	
66	872971	RETAINING RING (E-TYPE) FOR D3 SHAFT	1	
67	885881	PUSHING LEVER SPRING (A)	1	
68	889331	PUSHING LEVER (D)	1	
69	886736	ADJUSTER	1	
70	889485	PUSHING LEVER (B)	1	
71	889484	PUSHING LEVER (A)	1	
72	885887	NOSE CAP	2	
73	889483	GUIDE PLATE	1	
74	885889	LOCK LEVER	1	
75	949518	ROLL PIN D3 X 18 (10 PCS.)	3	
76	889542	LOCK PLATE	1	
77	889482	BLADE GUIDE	1	
78	886305	LOCK SPRING	1	
79	889489	NAIL PLATE	1	
80	889541	WARNING LABEL	1	
81	889488	ROLL PIN D1.6	1	
82	889491	NAIL FEEDER	1	
83	889534	FEED PISTON	1	
84	885900	FEED SPRING	1	
85	889490	MAGAZINE COVER ASS'Y	1	INCLUD.86
86	878791	ROLL PIN D2.5 X 12	1	
87	889487	MAGAZINE ASS'Y	1	INCLUD.81
88	885894	STOP LEVER	1	
89	885895	SPRING	1	
90	889492	MAGAZINE PROTECTOR	1	
91	889539	LABEL (A)	1	
92	949423	WASHER M4 (10 PCS.)	2	

STANDARD ACCESSORIES

NT 50A5

ITEM NO.	CODE NO.	DESCRIPTION	NO. USED	REMARKS	
501	875769	PROTECTIVE GLASSES	1		
* 502	372210	TOOL BAG	1	FOR HITACHI	
* 502	372210M	TOOL BAG	1	FOR METABOHPT	

OPTIONAL ACCESSORIES

ITEM NO.	CODE NO.	DESCRIPTION	NO. USED	REMARKS	
601	881768	GRIP TAPE (A)	1		
602	888213	TAPE (2 PCS.)	2		