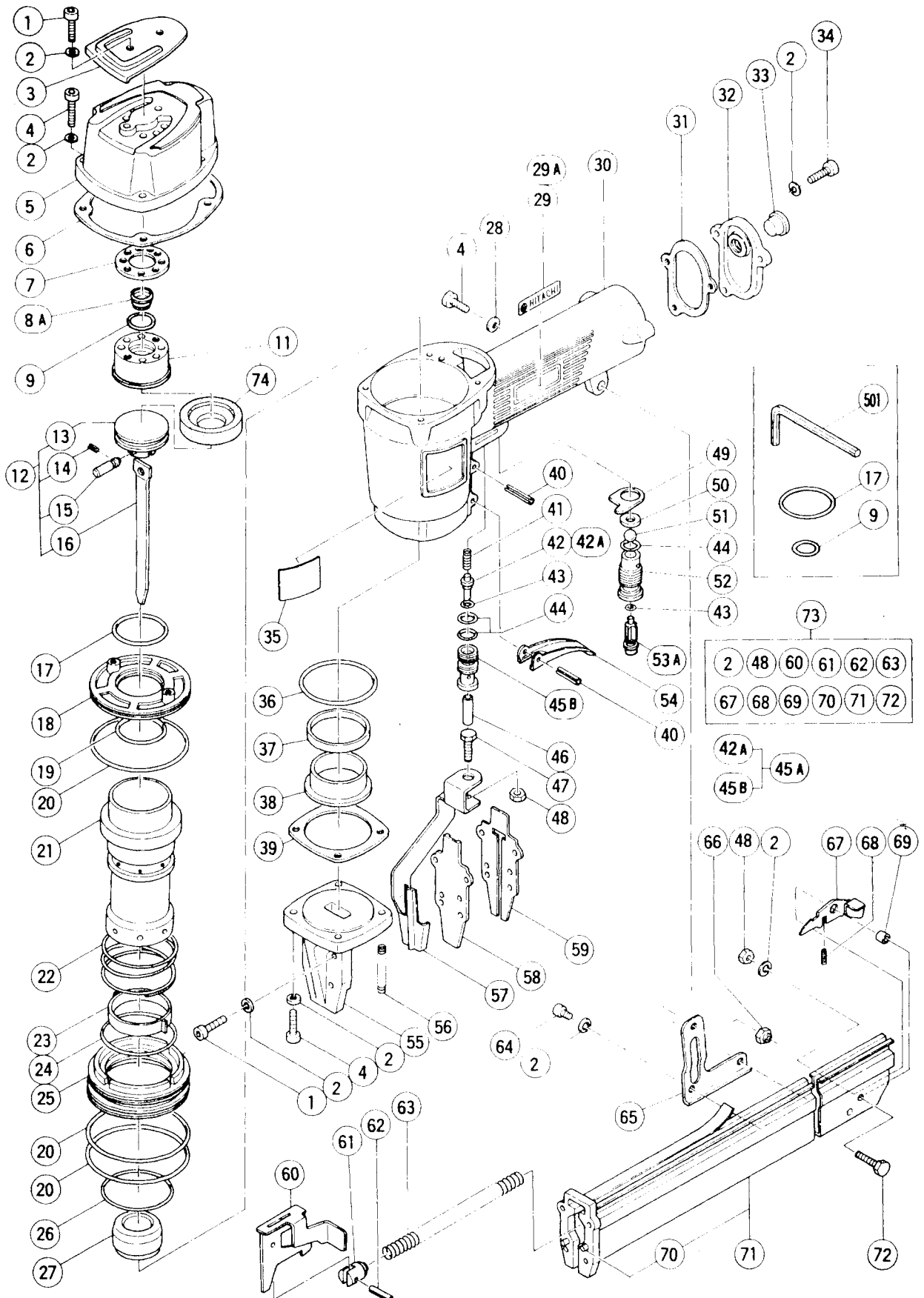


PNEUMATIC TOOL PARTS LIST

■ NAILER

1990 · 12 · 20

Model NT 50A
(E4)


PARTS

NT 50A

ITEM NO.	CODE NO.	DESCRIPTION	NO. USED	REMARKS
1	949-662	HEX. SOCKET HD. BOLT M5X25 (10 PCS.)	6	
2	949-454	SPRING WASHER M5 (10 PCS.)	20	
3	876-179	TOP COVER	1	
4	949-757	HEX. SOCKET HD. BOLT M5X20 (10 PCS.)	9	
5	877-128	EXHAUST COVER	1	
6	876-176	PACKING (B)	1	
7	876-178	PACKING (C)	1	
8A	878-417	EXHAUST VALVE	1	
9	872-821	VALVE O - RING	2	TILL 3.1988
11	877-129	HEAD CAP ASS'Y	1	INCLUD.74
12	878-055	PISTON ASS'Y	1	INCLUD.13 - 16
13	876-214	PISTON	1	
14	949-861	ROLL PIN D2X12 (10 PCS.)	1	
15	876-255	BIT PIN	1	
16	878-056	DRIVE BIT	1	
17	876-174	PISTON O - RING	2	
18	876-168	CYLINDER PLATE	1	
19	877-126	CYLINDER O - RING (D)	1	
20	876-161	O - RING (S - 65)	3	
21	876-632	CYLINDER	1	
22	876-172	CYLINDER SPRING	1	
23	876-167	CYLINDER RING	1	
24	877-123	CYLINDER O - RING (A)	1	
25	877-122	CYLINDER GUIDE	1	
26	877-124	CYLINDER O - RING (B)	1	
27	876-171	PISTON DAMPER	1	
28	876-205	WASHER	1	
29	950-565	HITACHI LABEL	1	TILL 7.1986
29A	957-561	HITACHI LABEL	1	SINCE 8.1986
30	878-020	BODY (B)	1	
31	877-131	PACKING (D)	1	
32	876-714P	CAP	1	
33	872-035	DUST CAP	1	
34	949-821	HEX. SOCKET HD. BOLT M5X16 (10 PCS.)	3	
35		NAME PLATE	1	
36	877-125	CYLINDER O - RING (C)	1	
37	876-169	CYLINDER DAMPER	1	
38	876-633	DAMPER RING	1	
39	876-184	PACKING (A)	1	
40	949-866	ROLL PIN D3X30 (10 PCS.)	2	
41	875-643	PLUNGER SPRING	1	
42	876-739	SAFETY PLUNGER (A)	1	TILL 7.1986
42A	878-122	PLUNGER (A)	1	SINCE 8.1986
43	874-820	PLUNGER O - RING	2	
44	875-638	O - RING (S - 12)	3	
45A	876-764	VALVE BUSHING ASS'Y	1	INCLUD.42A,45B TILL 7.1986
45B	878-266	VALVE BUSHING	1	SINCE 8.1986
46	875-642	SAFETY PLUNGER (B)	1	
47	875-650	SAFETY BOLT	1	
48	949-555	NUT M5 (10 PCS.)	2	
49	875-644	VALVE PLATE	1	

*: ALTERNATIVE PARTS

12 - 90

