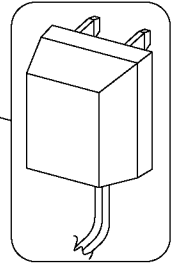
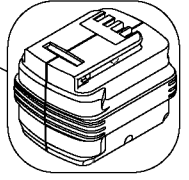


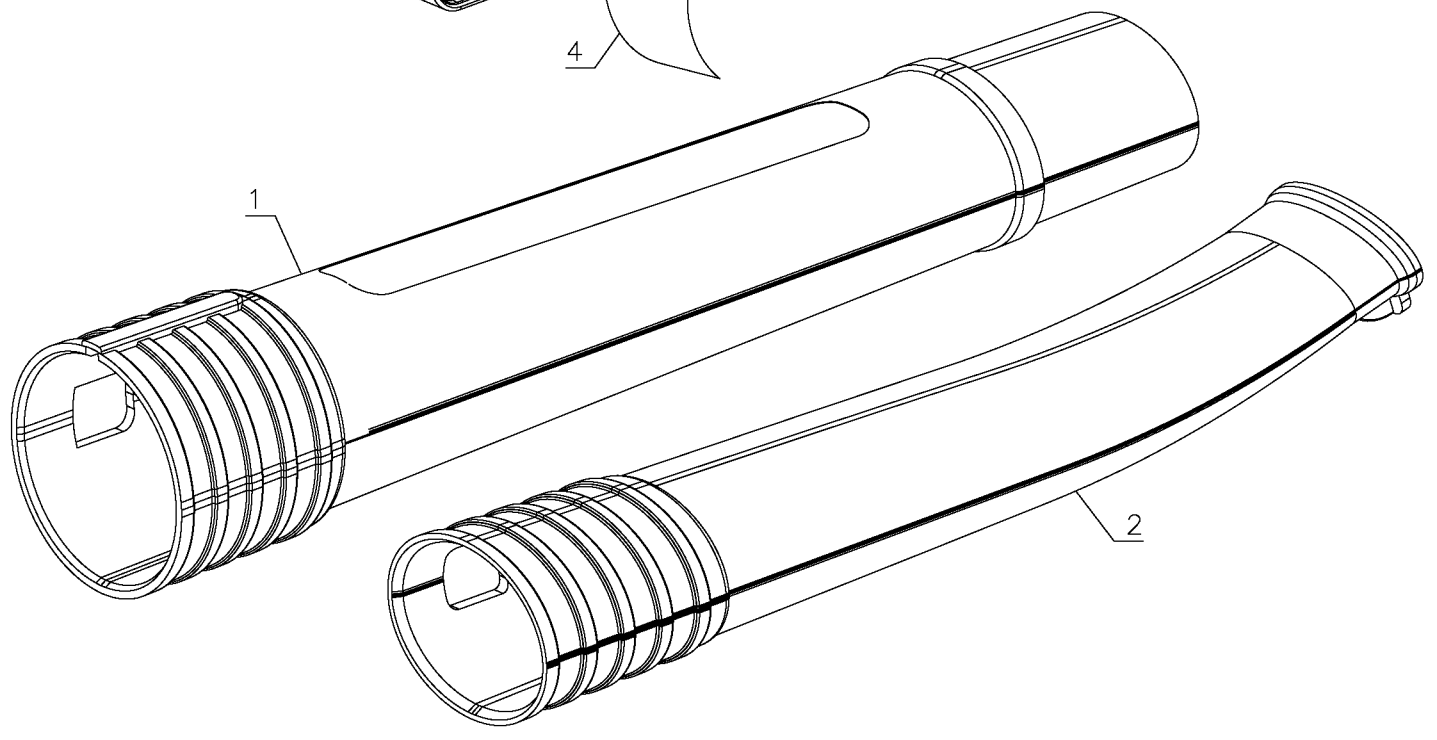
871



866



DATE CODE



## Parts List for NSW18 Type 1

Item Number	Part Number	Description	Qty Required
1	90571365	TUBE, UPPER	1
2	90571366	BLOWER TUBE	1
3	90571112	BLOWER ASSY	1
4	90574536	NAME PLATE	1
866	90555391	BATTERY CAP	1
866	90571604	BATTERY PACK	1
871	90571729-01	CHARGER	1