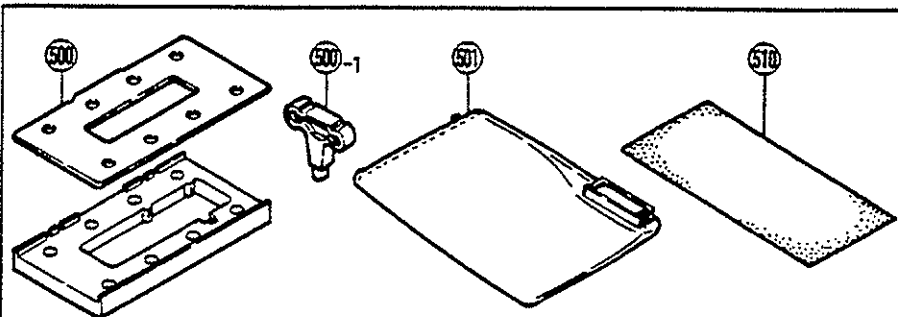
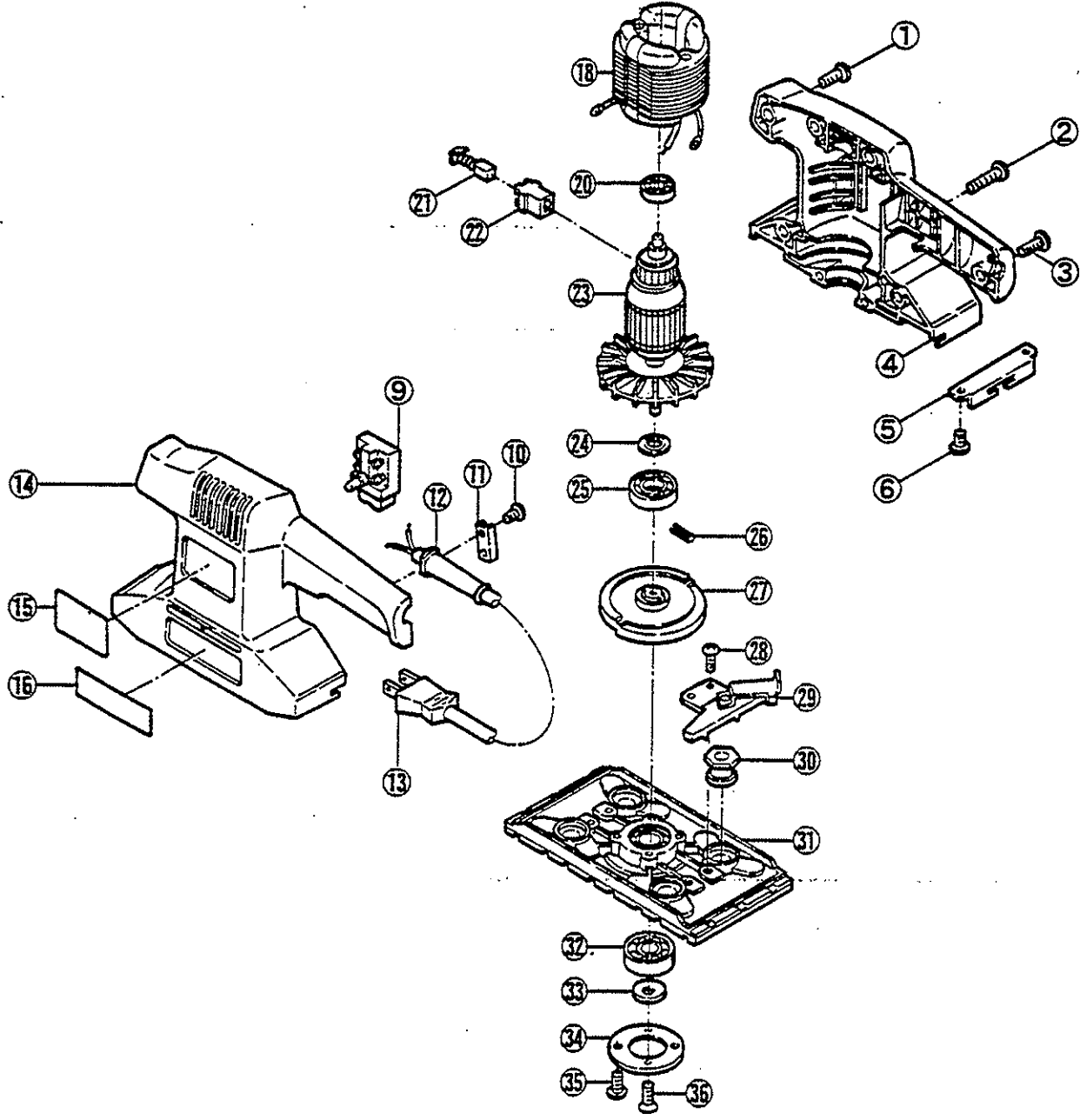


SANDER

NS-40



PARTS LIST FOR AFTER SALES SERVICE MODEL NS40

PART NO.	DESCRIPTION	QTY	REF	PART NO.	DESCRIPTION	QTY
1	9060425 TAPPING SCREW (B) M4X25	5	26	9403016	SPRING PIN	1
2	9060455 TAPPING SCREW (B) M4X55	2	27	6320094	BALANCE WEIGHT	1
3	9060420 TAPPING SCREW (B) M4X20	1	28	9020406	PHILLIPS PAN SCREW M4X6	4
4	6800703 HOUSING (B)	1	29	6090133	CLAMPER	2
5	6150728 REINFORCEMENT PLATE	2	30	6370106	FOOT	4
6	9060410 TAPPING SCREW (B) M4X10	4	31	6010162	RUBBER PAD	1
9	6550104 TRIGGER SWITCH	1	32	1750001	BALL BEARING #6202LLU	1
10	9060416 TAPPING SCREW (B) M4X16	2	33	6900248	COLLAR	1
11	6560067 CORD CLAMP	1	34	6370320	BEARING CLAMP	1
12	6560131 CORD HOLDER	1	35	9020410	PHILLIPS PAN SCREW M4X10	4
13	6520331 CORD ASS'Y AWG#18X2X2	1	36	6130043	PHILLIPS FLAT SCREW M5X10	1
14	6800699 HOUSING (A)	1	—	6560020	TERMINAL	2
15	6920303 "RYOBI" MARK	1	—	6560051	SPRING CONNECTOR	1
16	6911265 NAME PLATE	1				
18	6500750 FIELD COIL	1				
STANDARD ACCESSORIES						
20	9840627 BALL BEARING #627LLB	1	500	6072543	PUNCH SET	1
21	6541143 CARBON BRUSH SET	1	500-1	6600103	PUNCH	1
22	6570096 BRUSH HOLDER	2	501	6071163	DUST BAG	1
23	6030841 ARMATURE	1	510	6610813	ABRASIVE PAPER # 60	1
24	9791029 DUST SEAL	1	—	6610823	ABRASIVE PAPER # 80	1
25	9856200 BALL BEARING #6200LLU	1	—	6610833	ABRASIVE PAPER #100	1

SERVICE NOTES:

