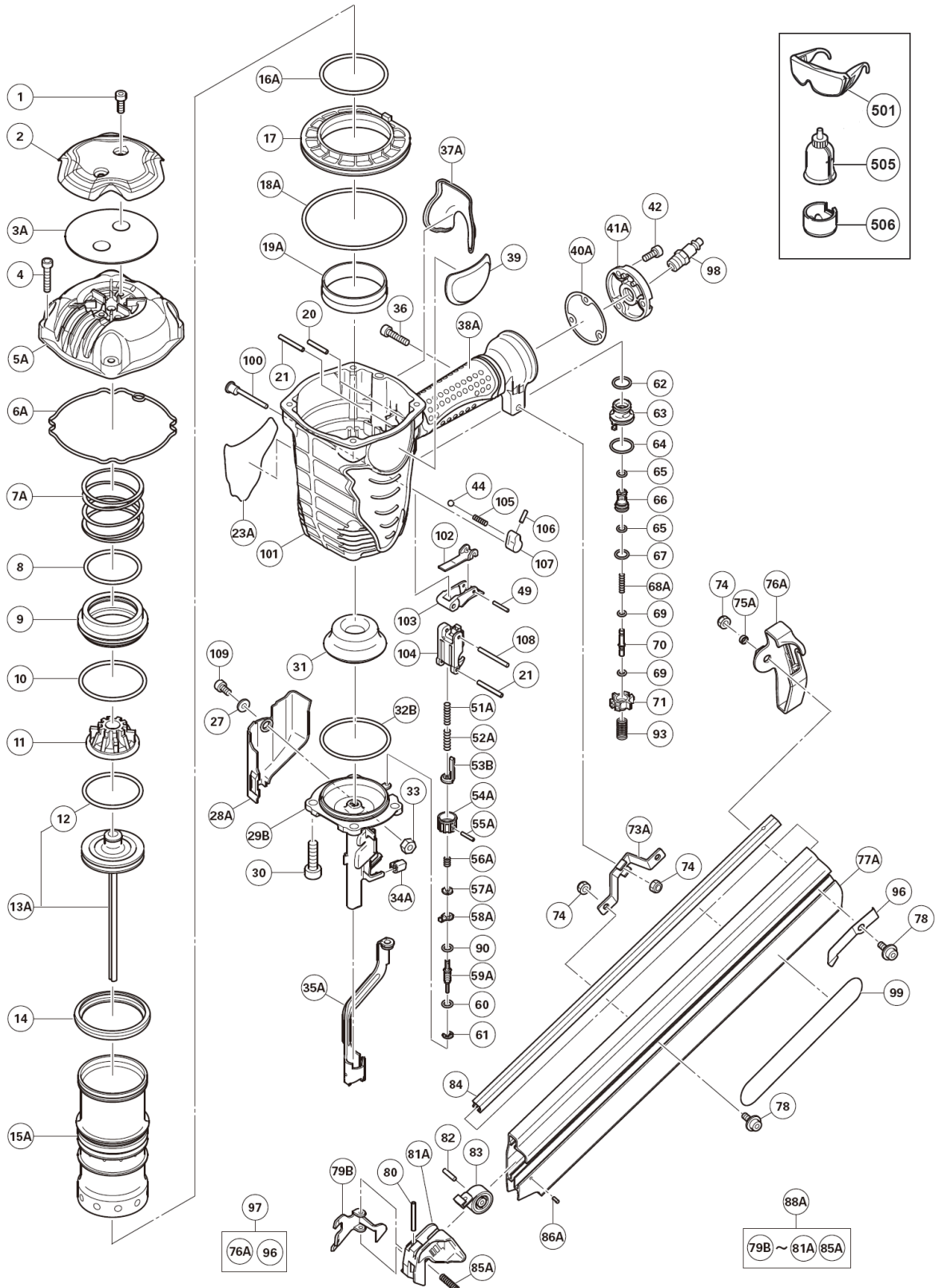


## PNEUMATIC TOOL PARTS LIST

■ STRIP NAILER  
Model NR 90AD(S1)

2016 • 03 • 23  
(E1a)



**PARTS**

NR90AD(S1)

ITEM NO.	CODE NO.	DESCRIPTION	NO. USED	REMARKS
1	888792	HEX. SOCKET HD. BOLT M6X12	2	SINCE 9.2015 FOR MODEL (S1)
2	888790	HEAD GUARD	1	SINCE 9.2015 FOR MODEL (S1)
3A	888794	SHEET	1	SINCE 9.2015 FOR MODEL (S1)
4	888793	HEX. SOCKET HD. BOLT M6X30	4	
5A	888789	EXHAUST COVER	1	SINCE 9.2015 FOR MODEL (S1)
6A	886455	GASKET (A)	1	FOR EUROPE.USA.CAN.MODEL (S1)
7A	886456	HEAD VALVE SPRING	1	FOR EUROPE.USA.CAN.MODEL (S1)
8	884947	O-RING (I.D 49.4)	1	
9	884946	HEAD VALVE	1	
10	884948	O-RING (I.D 59.4)	1	
11	884950	EXHAUST VALVE RUBBER	1	
12	884958	PISTON O-RING	1	
13A	885917	PISTON ASS'Y	1	INCLUD.12
14	884945	VALVE RUBBER	1	
15A	886457	CYLINDER	1	
16A	886480	O-RING (I.D 59.6)	1	FOR EUROPE.USA.CAN.MODEL (S1)
17	884944	CYLINDER PLATE	1	
18A	886481	O-RING (I.D 94.6)	1	FOR EUROPE.USA.CAN.MODEL (S1)
19A	886483	CYLINDER RING	1	FOR EUROPE.USA.CAN.MODEL (S1)
20	949539	ROLL PIN D3X25 (10 PCS.)	1	
21	884975	ROLL PIN D3X32	2	
23A		NAME PLATE	1	FOR MODEL (S1)
27	876205	WASHER	1	
28A	886874	PUSH LEVER COVER (A)	1	FOR EUROPE.USA.CAN.MODEL (S1)
29B	887663	NOSE	1	FOR MODEL (S1)
30	306437	NYLOCK HEX. SOCKET HD. BOLT M8X30	4	
31	884959	PISTON BUMPER	1	
32B	886482	O-RING (I.D 60)	1	FOR EUROPE.USA.CAN.MODEL (S1)
33	877371	NYLON NUT M5	1	
34A	886458	NOSE RUBBER	2	FOR EUROPE.USA.CAN.MODEL (S1)
35A	886865	PUSHING LEVER (A)	1	FOR EUROPE.USA.CAN.MODEL (S1)
36	949670	HEX. SOCKET HD. BOLT M6X22 (10 PCS.)	1	
37A	886260	GRIP RUBBER (B)	1	FOR EUROPE.USA.CAN.MODEL (S1)
38A		GRIP RUBBER (A)	1	USE ITEM NO.601.602A FOR USA.CAN.MODEL (S1)
39	888713	HITACHI LABEL	1	
40A	884342	GASKET (B)	1	FOR EUROPE.USA.CAN.MODEL (S1)
41A	881949	CAP	1	FOR EUROPE.USA.CAN.MODEL (S1)
42	949821	HEX. SOCKET HD. BOLT M5X16 (10 PCS.)	3	
44	959155	STEEL BALL D3.97 (10 PCS.)	1	
49	881951	ROLL PIN D2.5X16	1	
51A	886861	PUSH LEVER SPRING (B)	1	FOR USA.CAN.AUS (MODEL (S1))
52A	886860	PUSH LEVER SPRING (A)	1	FOR USA.CAN.AUS (MODEL (S1))
53B	887664	PUSHING LEVER (D)	1	FOR MODEL (S)
54A	886872	ADJUSTER	1	FOR EUROPE.USA.CAN.MODEL (S1)
55A	886873	ROLL PIN D2X16	1	FOR EUROPE.USA.CAN.MODEL (S1)
56A	886870	ADJUSTER SPRING	1	FOR EUROPE.USA.CAN.MODEL (S1)
57A	886869	ADJUSTER PLATE (C)	1	FOR EUROPE.USA.CAN.MODEL (S1)
58A	886868	ADJUSTER PLATE (A)	1	FOR EUROPE.USA.CAN.MODEL (S1)
59A	886866	PUSH LEVER (B)	1	FOR EUROPE.USA.CAN.MODEL (S1)
60	872822	O-RING (S-5)	1	
61	872971	RETAINING RING (E-TYPE) FOR D3 SHAFT	1	
62	877763	FEED PISTON O-RING (I.D. 14)	1	
63	884963	VALVE BUSHING (B)	1	
64	873570	O-RING (P-18)	1	
65	676531	O-RING (P-7)	2	
66	884964	VALVE PISTON	1	
67	872654	O-RING (1AP-10)	1	
68A	887178	PLUNGER SPRING	1	FOR EUROPE.USA.CAN.MODEL (S1)
69	878888	O-RING (I.D. 1.8)	2	



