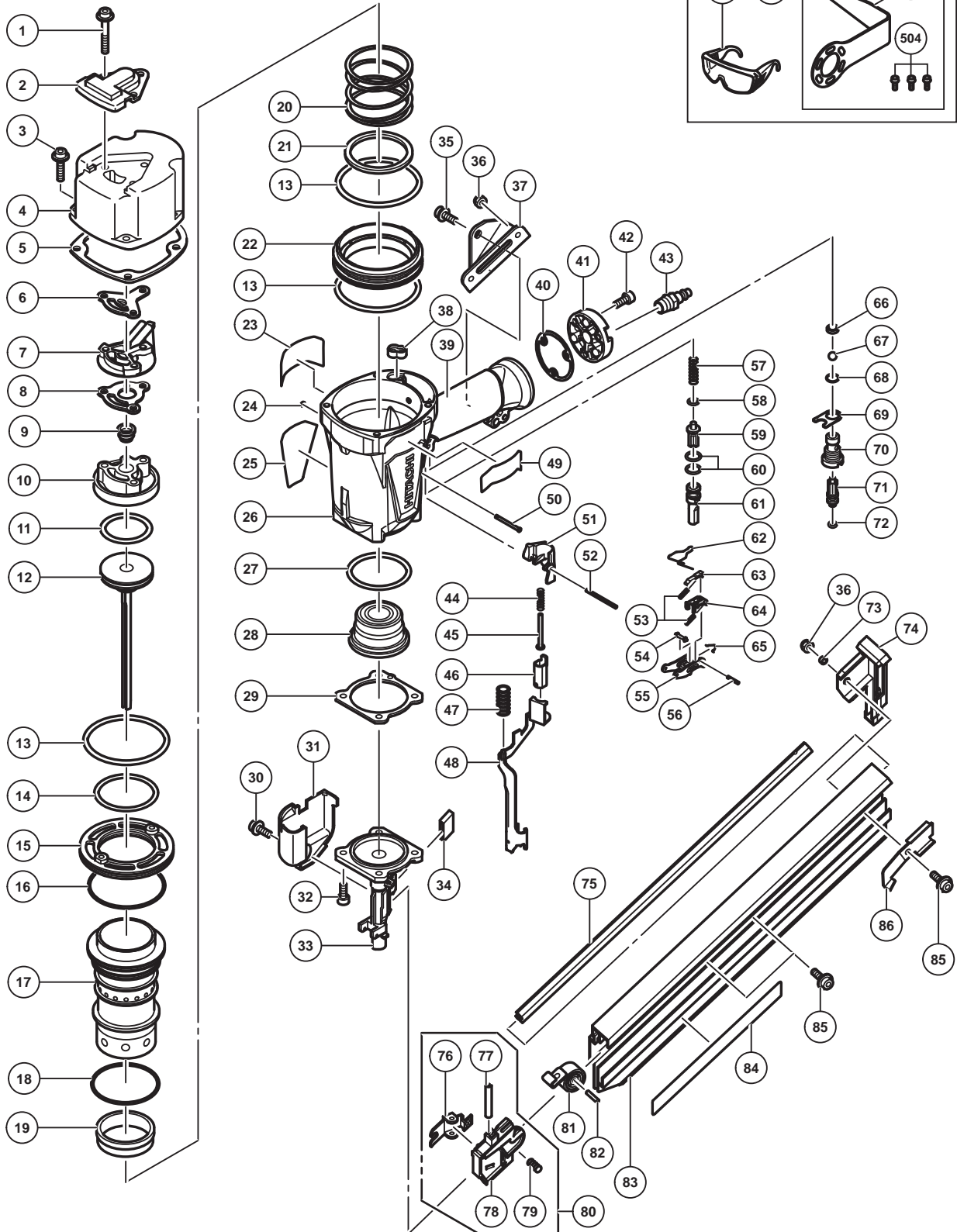


PNEUMATIC TOOL PARTS LIST

STRIP NAILER
Model NR 83AA5

2016-11-29
(E1)



PARTS

NR 83AA5

ITEM NO.	CODE NO.	DESCRIPTION	NO. USED	REMARKS
1	883509	HEX. SOCKET HD. BOLT (W/FLANGE) M6 X 45	3	
2	877330	TOP COVER	1	
3	883507	HEX. SOCKET HD. BOLT (W/SP.WASHER) M6 X 25	4	
4	877324	EXHAUST COVER	1	
5	877325	GASKET (B)	1	
6	877329	GASKET (F)	1	
7	877328	EXHAUST PIECE	1	
8	877854	GASKET (C)	1	
9	887774	EXHAUST VALVE	1	
10	877307	HEAD CAP AND GASKET SET	1	INCLUD.8
11	877368	O-RING (1AP-48)	1	
12	883510	PISTON	1	
13	889112	O-RING	3	
14	877312	CYLINDER O-RING (I.D 63.1)	1	
15	877318	CYLINDER PLATE	1	
16	877313	CYLINDER O-RING (I.D 79.3)	1	
17	889086	CYLINDER	1	
18	877314	CYLINDER O-RING (I.D 69.3)	1	
19	886483	CYLINDER RING	1	
20	877321	CYLINDER SPRING	1	
21	877322	BASE WASHER	1	
22	889087	CYLINDER GUIDE	1	
23	889107	LABEL	1	
24	889216	SHAFT RING	1	
25	889106	WARNING LABEL	1	
26	889085	BODY ASS'Y	1	INCLUD.39
27	877315	CYLINDER O-RING (I.D 63.9)	1	
28	883511	PISTON BUMPER (B)	1	
29	877334	GASKET (A)	1	
30	882974	NYLOCK BOLT (W/FLANGE) M6 X 12	1	
31	883493	GUARD	1	
32	883492	NYLOCK HEX. SOCKET HD. BOLT M8 X 22	4	
33	887775	NOSE	1	
34	883491	NOSE RUBBER	1	
35	883505	NYLOCK BOLT (W/FLANGE) M8 X 16	1	
36	888796	NYLON NUT M6	3	
37	883504	HANDLE ARM	1	
38	877327	GASKET (G)	1	
39		GRIP RUBBER	1	SUPPLIED WITH ITEM NO.601,602
40	889080	GASKET (H)	1	
41	889079	CAP (B)	1	
42	949658	HEX. SOCKET HD. BOLT M5 X 18 (10 PCS.)	3	
43	887863	AIR PLUG NPT 3/8	1	
44	889103	PLUNGER (B) SPRING	1	
45	889102	PLUNGER (B)	1	
46	889099	PUSHING LEVER (C)	1	
47	884117	SPRING	1	
48	889126	PUSHING LEVER	1	
49		NAME PLATE	1	
50	889096	TRIGGER PIN	1	

PARTS

NR 83AA5

ITEM NO.	CODE NO.	DESCRIPTION	NO. USED	REMARKS	
51	889100	VALVE GUARD	1		
52	887852	ROLL PIN D3 X 45	1		
53	889094	TRIGGER ARM SPRING	2		
54	889093	CHANGE ROD	1		
55	889091	TRIGGER	1		
56	887856	ROLL PIN D2.5	1		
57	886725	PLUNGER SPRING	1		
58	874436	O-RING (P-4)	1		
59	884113	PLUNGER (A)	1		
60	884112	O-RING (I.D 10.7)	2		
61	889088	VALVE BUSHING (A)	1		
62	889089	TRIGGER SPRING	1		
63	889092	TRIGGER ARM	1		
64	889095	CHANGE STOPPER	1		
65	889081	LOCK PIN	1		
66	888151	VALVE PACKING	1		
67	875645	URETHANE BALL (C) D7.14	1		
68	875638	O-RING (S-12)	1		
69	889110	VALVE PLATE	1		
70	889225	TRIGGER VALVE BUSHING	1		
71	889098	TRIGGER PLUNGER	1		
72	887840	O-RING	1		
73	883499	SLEEVE	1		
74	883497	MAGAZINE COVER	1		
75	883496	NAIL RAIL	1		
76	883502	NAIL FEEDER (A)	1		
77	949688	ROLL PIN D4 X 40 (10 PCS.)	1		
78	883501	NAIL FEEDER (B)	1		
79	883441	FEEDER SPRING	1		
80	883500	NAIL FEEDER ASS'Y	1	INCLUD.76-79	
81	883503	RIBBON SPRING	1		
82	943364	NEEDLE ROLLER D4 X 20	1		
83	883495	MAGAZINE	1		
84		LABEL (A)	1		
85	984443	HEX. SOCKET HD. BOLT (W/FLANGE) M6 X 12	3		
86	883498	NAIL STOPPER	1		

