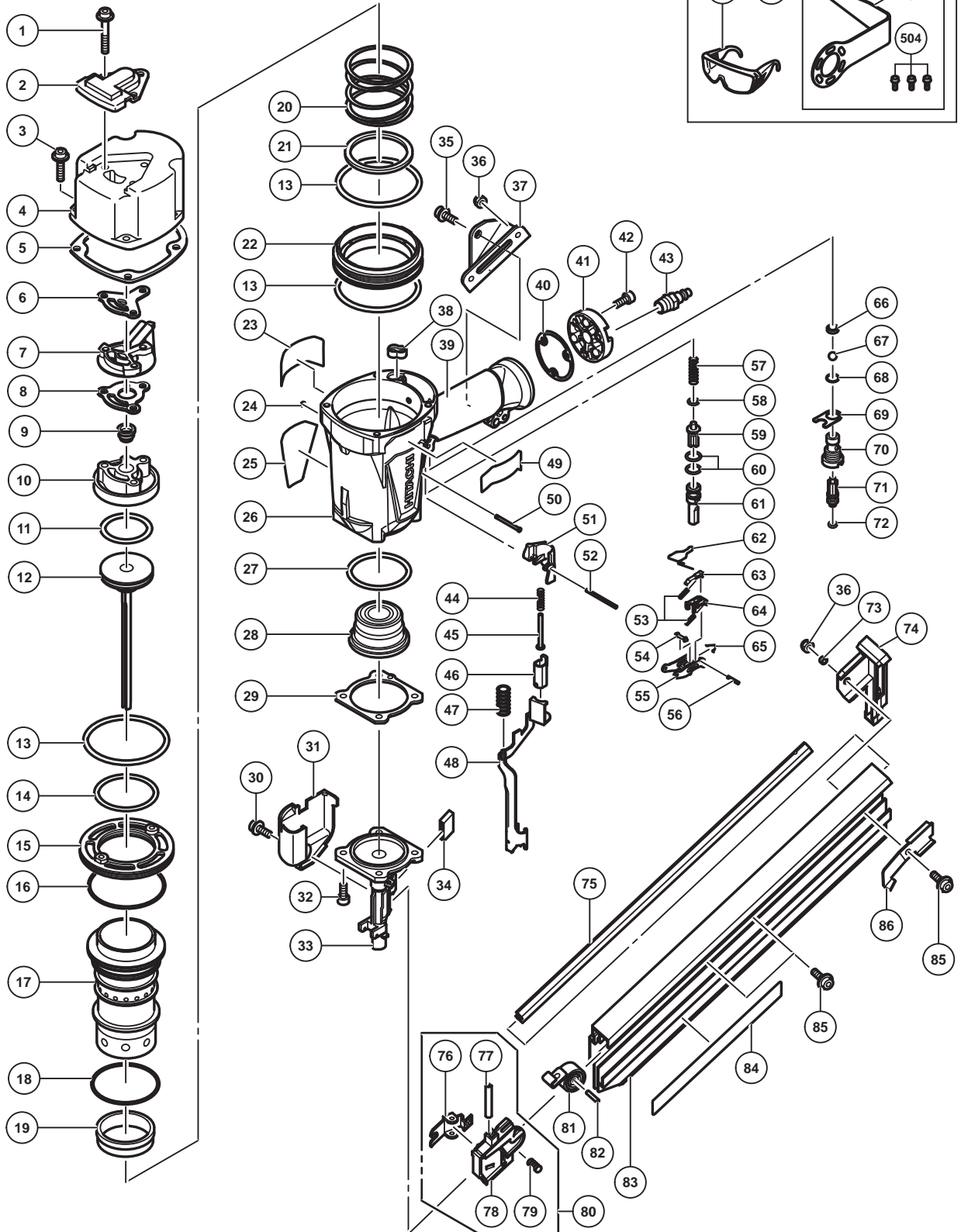


PNEUMATIC TOOL PARTS LIST

STRIP NAILER
Model NR 83AA5

2016-11-29
(E1)



PARTS

NR 83AA5

ITEM NO.	CODE NO.	DESCRIPTION	NO. USED	REMARKS
1	883509	HEX. SOCKET HD. BOLT (W/FLANGE) M6 X 45	3	
2	877330	TOP COVER	1	
3	883507	HEX. SOCKET HD. BOLT (W/SP.WASHER) M6 X 25	4	
4	877324	EXHAUST COVER	1	
5	877325	GASKET (B)	1	
6	877329	GASKET (F)	1	
7	877328	EXHAUST PIECE	1	
8	877854	GASKET (C)	1	
9	887774	EXHAUST VALVE	1	
10	877307	HEAD CAP AND GASKET SET	1	INCLUD.8
11	877368	O-RING (1AP-48)	1	
12	883510	PISTON	1	
13	889112	O-RING	3	
14	877312	CYLINDER O-RING (I.D 63.1)	1	
15	877318	CYLINDER PLATE	1	
16	877313	CYLINDER O-RING (I.D 79.3)	1	
17	889086	CYLINDER	1	
18	877314	CYLINDER O-RING (I.D 69.3)	1	
19	886483	CYLINDER RING	1	
20	877321	CYLINDER SPRING	1	
21	877322	BASE WASHER	1	
22	889087	CYLINDER GUIDE	1	
23	889107	LABEL	1	
24	883405	O-RING (I.D 1.8)	1	
25	889106	WARNING LABEL	1	
26	889085	BODY ASS'Y	1	INCLUD.39
27	877315	CYLINDER O-RING (I.D 63.9)	1	
28	883511	PISTON BUMPER (B)	1	
29	877334	GASKET (A)	1	
30	882974	NYLOCK BOLT (W/FLANGE) M6 X 12	1	
31	883493	GUARD	1	
32	883492	NYLOCK HEX. SOCKET HD. BOLT M8 X 22	4	
33	887775	NOSE	1	
34	883491	NOSE RUBBER	1	
35	883505	NYLOCK BOLT (W/FLANGE) M8 X 16	1	
36	888796	NYLON NUT M6	3	
37	883504	HANDLE ARM	1	
38	877327	GASKET (G)	1	
39		GRIP RUBBER	1	SUPPLIED WITH ITEM NO.601,602
40	889080	GASKET (H)	1	
41	889079	CAP (B)	1	
42	949658	HEX. SOCKET HD. BOLT M5 X 18 (10 PCS.)	3	
43	887863	AIR PLUG NPT 3/8	1	
44	889103	PLUNGER (B) SPRING	1	
45	889102	PLUNGER (B)	1	
46	889099	PUSHING LEVER (C)	1	
47	884117	SPRING	1	
48	889126	PUSHING LEVER	1	
49		NAME PLATE	1	
50	889096	TRIGGER PIN	1	

