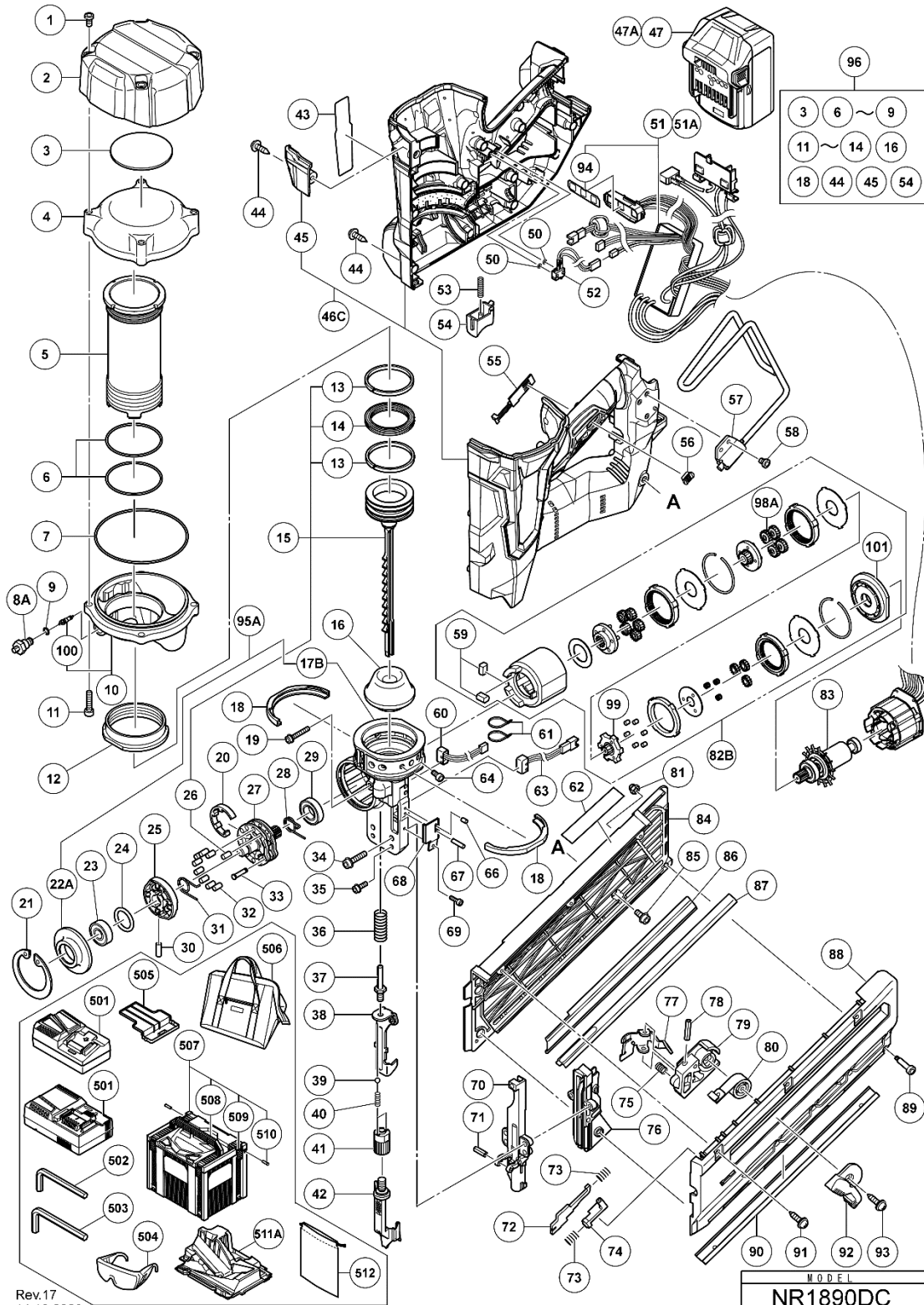


ELECTRIC TOOL PARTS LIST

CORDLESS STRIP NAILER
Model NR 1890DCS

2021 • 05 • 25
(E2)



Rev.17
14.10.2020

MODEL
NR1890DC

PARTS

NR1890DCS

ITEM NO.	CODE NO.	DESCRIPTION	NO. USED	REMARKS
1	372298	HEX. SOCKET HD. BOLT M6	4	
2	372296	TOP COVER	1	
3	371012	RUBBER CUSHION (C)	1	
4	372337	CHAMBER COVER	1	
5	372335	CYLINDER	1	
6	372336	O-RING (I.D 55.5)	2	
7	372334	O-RING (I.D 94.5)	1	
8A	376085	CHARGE CAP	1	
9	872822	O-RING (S-5)	1	
10	372388	CHAMBER BASE ASS'Y	1	INCLUD.100
11	372338	NYLOCK BOLT M6	4	
12	372339	SPECIAL NUT M58	1	
13	372320	SLIDE RING	2	
14	372319	X-RING	1	
15	372318	PISTON ASS'Y	1	INCLUD.13.14.26
16A	377103	PISTON BUMPER	1	
17B	375366	NOSE	1	
18	372343	RUBBER CUSHION (A)	2	
19	372310	NYLOCK BOLT (W/FLANGE) M4X25	1	
20	372330	FELT (P)	1	
21	372332	RETAINING RING D52	1	
22A	372989	BEARING HOLDER	1	SINCE 2.2018
23	6000VV	BALL BEARING 6000VVCMP52L	1	
24	372329	O-RING (I.D 20.22)	1	
25	372327	POSITION DETECTOR	1	
26	372326	NEEDLE ROLLER D4.5	1	
27	372321	PIN WHEEL	1	
28	372323	WHEEL SPRING (B)	1	
29	6902VV	BALL BEARING 6902VV	1	
30	372328	NEEDLE ROLLER D3	1	
31	372322	WHEEL SPRING (A)	1	
32	372325	NEEDLE ROLLER D4	8	
33	372324	PIN (A)	1	
34	372355	NYLOCK BOLT (W/FLANGE) M5X22	2	
35	372311	NYLOCK BOLT (W/FLANGE) M4X14	2	
**36	372307	PUSHING LEVER SPRING (B)	1	FOR USA.CAN
37	372316	SPECIAL BOLT M6	1	
38	372305	PUSHING LEVER (B)	1	
39	959148	STEEL BALL D3.175 (10 PCS.)	2	
40	372315	ADJUSTER SPRING	2	
41	372314	ADJUSTER	1	
42	372308	PUSHING LEVER (A)	1	
43			1	
44	301653	TAPPING SCREW (W/FLANGE) D4X20 (BLACK)	14	
45	372297	HOUSING (C)	1	
**46C	372987M	HOUSING ASS'Y	1	INCLUD.45 FOR USA.CAN
**47	339782	BATTERY BSL 1830C (USA.CAN)	1	INCLUD.505
**47A	371751M	BATTERY BSL 36A18 (USA.CAN)	1	INCLUD.505
50	371020	O-RING (I.D 2.5)	2	
**51A	376522	WIRING ASS'Y	1	INCLUD.94 FOR USA.CAN
52	371019	SWITCH CABLE (A)	1	
53	332000	SPRING (T)	1	
54	371021	TRIGGER	1	
55	331790	LEVER (C)	1	
56	326276	LEVER (A)	1	
57	372356	HOOK	1	
58	331109	LOW HEAD HEX. SOCKET BOLT M4X8	3	
59	372342	BUMPER (B)	2	
60	372302	SENSOR (C)	1	
61	6696839	WIRE BAND	2	
**62	371107	CAUTION LABEL	1	FOR USA.CAN
63	372301	SENSOR (B)	1	INCLUD.38
64	372340	HEX. SOCKET HD. BOLT M5	1	

