

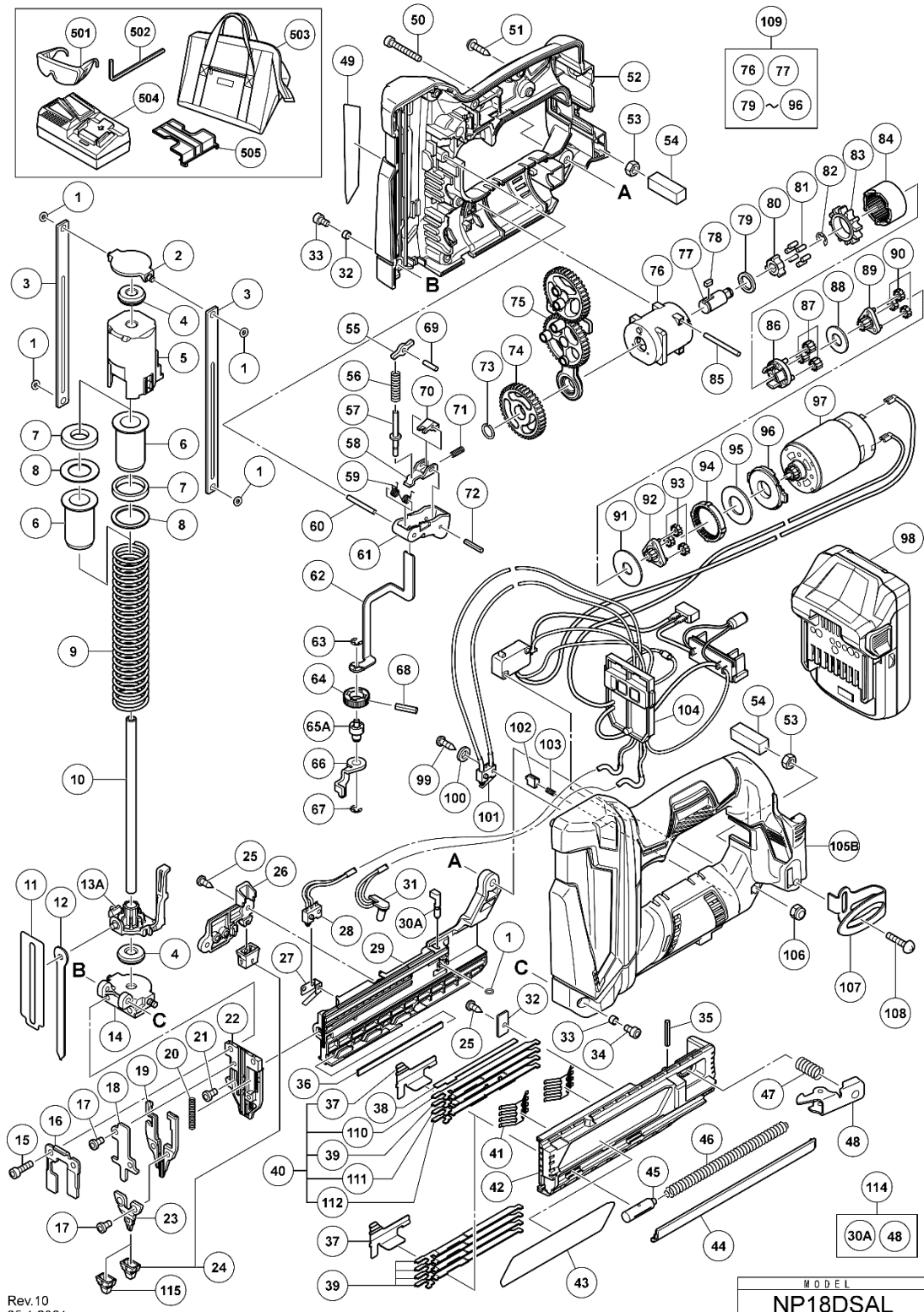
ELECTRIC TOOL PARTS LIST

CORDLESS NAILER

2022 • 07 • 22

Model NP 18DSAL

(E2)



Rev.10
25.1.2021

MODEL
NP18DSAL

PARTS

NP18DSAL

ITEM NO.	CODE NO.	DESCRIPTION	NO. USED	REMARKS
1	338981	O-RING (I.D 2.8)	5	
2	339075	TOP HOLDER	1	
3	339078	SLIDE GUIDE BAR	2	
4	370631	PLUNGER DAMPER	2	
5	339073	WEIGHT	1	
6	372869	WEIGHT SLEEVE	1	
7	372870	SPRING DAMPER (B)	1	
8	372871	DAMPER WASHER (B)	1	
9	373107	SPRING	1	
10	339095	PLUNGER SHAFT	1	
11	339088	COVER PLATE	1	
12	339087	DRIVER BLADE	1	
13A	371199	PLUNGER (A)	1	
14	370643	BOTTOM HOLDER	1	
15	949821	HEX. SOCKET HD. BOLT M5X16 (10 PCS.)	2	
16	339084	GUIDE PLATE (B)	1	
17	370899	HEX.SOCKET BOLT M4X6	4	
18	339083	GUIDE PLATE (A)	1	
19	339081	PUSHING LEVER (A)	1	
20	329133	PUSHING LEVER SPRING	1	
21	370640	LOW HEAD HEX. SOCKET BOLT M4X8	1	
22	370634	BLADE GUIDE	1	
23	339082	NOSE	1	
24	370901	NOSE CAP SET	1	
25	339108	TAPPING SCREW D3X8	3	
26	339098	SWITCH HOLDER	1	
27	335025	MICRO SWITCH HOLDER (B)	1	
28	370902	MICRO SWITCH (B)	1	
**29	373105	MAGAZINE	1	
30A	375911	STOPPER SHAFT (B)	1	SINCE 10.2019
31	370644	LED	1	
32	339107	GUIDE BAR PLATE	1	
33	370639	SLEEVE	2	
34	878614	NYLOCK HEX. SOCKET HD. BOLT M4X8	2	
35	949685	ROLL PIN D3X20 (10 PCS.)	1	
36	339101	NAIL PLATE	1	
**37	371200	NAIL FEEDER	1	
**38	373101	TOP BAR	1	
39	372728	GUIDE BAR (A)	1	
**40	373106	GUIDE BAR ASS'Y (A)	1	INCLUD.37.39.110-112 FOR USA.CAN
41	339109	SPRING PLATE	2	
**42	373104	MAGAZINE COVER	1	
43		CAUTION LABEL	1	
44	339106	FEEDER COVER PLATE	1	
45	329125	FEEDER PIECE	1	
46	339105	FEED SPRING	1	
47	370636	BUSHING SPRING (B)	1	
48	331121	STOP LEVER	1	
49		NAME PLATE	1	
50	949664	HEX. SOCKET HD. BOLT M5X30 (10 PCS.)	1	
51	313687	TAPPING SCREW (W/FLANGE) D3X16 (BLACK)	9	
52	339071	HOUSING (B)	1	
53	327002	LOCK NUT M4 (BLACK)	2	
54	331186	PACKING	2	
55	329107	SWITCH LEVER (T)	1	
56	370900	PLUNGER SPRING (B)	1	
57	339093	PLUNGER (T)	1	
58	884201	TRIGGER ARM	1	
59	329104	TRIGGER SPRING	1	
60	329103	NEEDLE ROLLER (B)	1	
61	329100	TRIGGER	1	
62	339111	PUSHING LEVER (D)	1	
63	874759	RETAINING RING (E-TYPE) FOR D2.5 SHAFT	1	
64	884221	ADJUSTER	1	
65A	376163	PUSHING LEVER (C)	1	
66	339085	PUSHING LEVER (B)	1	
67	872971	RETAINING RING (E-TYPE) FOR D3 SHAFT	1	

