

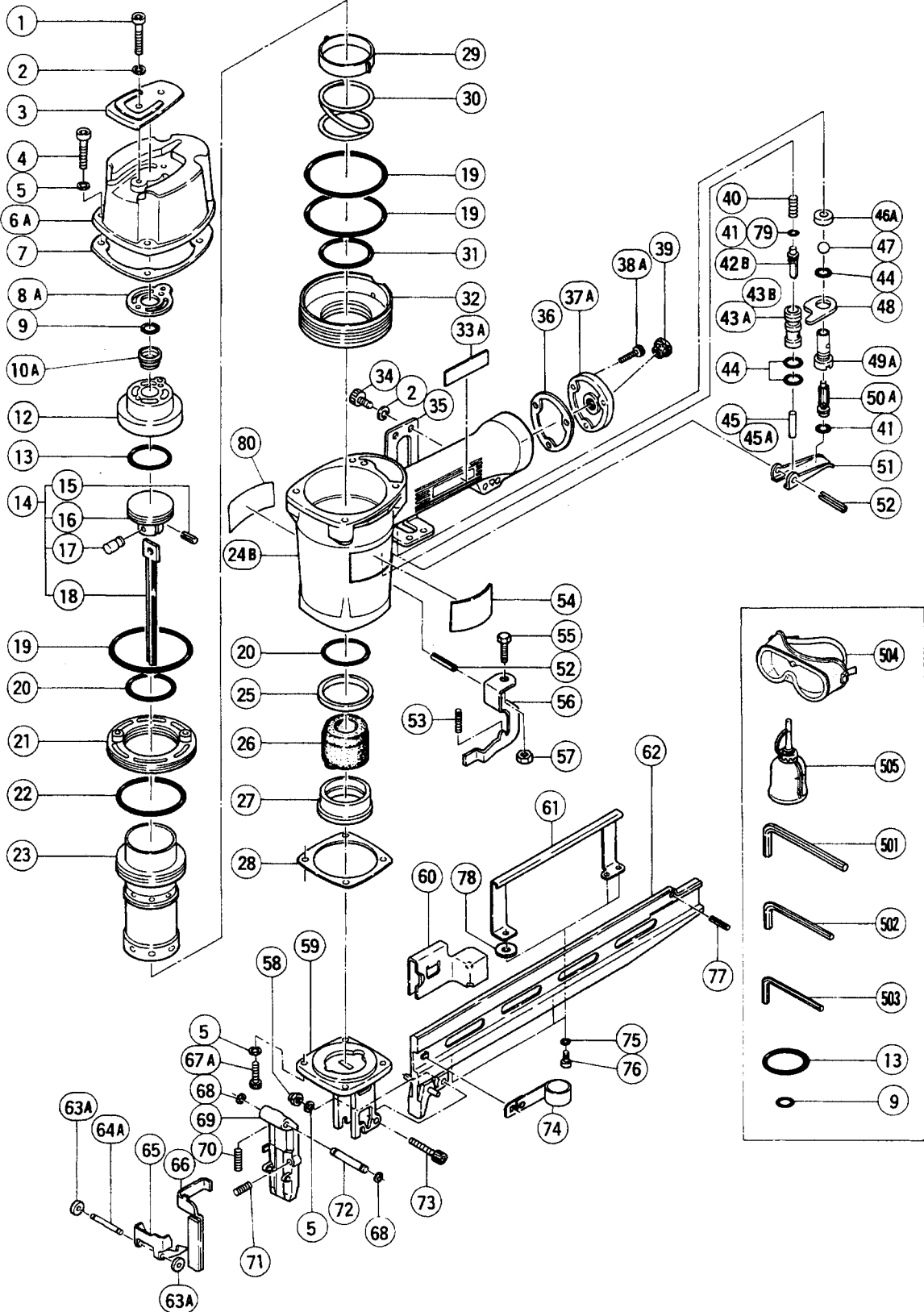
PNEUMATIC TOOL PARTS LIST

■ STAPLER

1997 · 2 · 20

Model N 5008AA STANDARD CROWN

(E6)



PARTS

N 5008AA

ITEM NO.	CODE NO.	DESCRIPTION	NO. USED	REMARKS
1	949-822	HEX. SOCKET HD. BOLT M5X35 (10 PCS.)	2	
2	949-454	SPRING WASHER M5 (10 PCS.)	4	
3	876-444	TOP COVER	1	
4	949-652	HEX. SOCKET HD. BOLT M6X25 (10 PCS.)	4	
5	949-455	SPRING WASHER M6 (10 PCS.)	9	
6A	876-440	EXHAUST COVER (C)	1	
7	876-441	GASKET (B)	1	
8A	876-749	GASKET (G)	1	
9	872-821	VALVE O - RING	2	TILL 12.1987
10A	878-417	EXHAUST VALVE	1	
12	876-442	HEAD CAP (C)	1	
13	931-835	O - RING (P - 38)	2	
14	877-860	PISTON ASS'Y	1	INCLUD.15 - 18
15	949-861	ROLL PIN D2X12 (10 PCS.)	1	
16	877-861	PISTON	1	
17	876-255	BIT PIN	1	
18	877-862	DRIVER BLADE	1	
19	874-104	CYLINDER O - RING (I.D 68.3)	3	
20	875-602	CYLINDER O - RING (I.D 50.9)	2	
21	876-435	CYLINDER PLATE	1	
22	877-312	CYLINDER O - RING (I.D 63.1)	1	
23	876-732	CYLINDER	1	
24B	877-885	BODY CAP ASS'Y	1	INCLUD.36,37A
25	876-733	CYLINDER BUMPER	1	
26	877-863	PISTON BUMPER	1	
27	876-600	BUMPER RING	1	
28	876-449	GASKET (A)	1	
29	876-434	CYLINDER RING	1	
30	875-605	CYLINDER SPRING	1	
31	876-433	CYLINDER O - RING (B) I.D 55.9	1	
32	876-731	CYLINDER GUIDE	1	
33A		HITACHI LABEL	1	
34	949-820	HEX. SOCKET HD. BOLT M5X15 (10 PCS.)	2	
35	877-878	HANDLE ARM	1	
36	877-331	GASKET (D)	1	
37A	878-311	CAP	1	
38A	949-658	HEX. SOCKET HD. BOLT M5X18 (10 PCS.)	3	
39	872-035	DUST CAP	1	
40	875-643	PLUNGER SPRING	1	
41	874-820	PLUNGER O - RING	2	TILL 4.1986
41	874-820	PLUNGER O - RING	1	SINCE 5.1986
42B	878-542	PLUNGER (A)	1	SINCE 5.1986
43A	877-880	VALVE BUSHING	1	SINCE 5.1986
43B	876-764	VALVE BUSHING ASS'Y	1	TILL 4.1986
44	875-638	O - RING (S - 12)	3	
45	875-642	SAFETY PLUNGER (B)	1	TILL 4.1986
45A	877-882	PLUNGER (B)	1	SINCE 5.1986
46A	878-734	VALVE PACKING	1	
47	875-645	URETHANE BALL (C) D7.14	1	
48	875-644	VALVE PLATE	1	
49A	877-335	TRIGGER VALVE BUSHING	1	

*: ALTERNATIVE PARTS

PARTS

N 5008AA

ITEM NO.	CODE NO.	DESCRIPTION	NO. USED	REMARKS
50A	878-121	TRIGGER PLUNGER	1	
51	876-203	TRIGGER	1	
52	949-866	ROLL PIN D3X30 (10 PCS.)	2	
53	877-871	SPRING (A)	1	
54		NAME PLATE	1	
55	875-650	SAFETY BOLT	1	
56	877-870	PUSHING LEVER (A)	1	
56	877-884	PUSHING LEVER (A)	1	FOR EUROPE
57	949-555	NUT M5 (10 PCS.)	1	
58	963-837	NYLON NUT M6	1	
59	877-864	NOSE	1	
60	877-875	STAPLE FEEDER	1	
61	877-877	MAGAZINE COVER	1	
62	877-874	STAPLE GUIDE ASS'Y	1	INCLUD.77
63A	877-826	FEEDER SHAFT RING	2	
64A	877-879	HINGE PIN (B) ASS'Y	1	INCLUD.63A
65	877-866	LOCK LEVER	1	
66	877-872	PUSHING LEVER (B)	1	
67A	877-947	NYLOCK HEX. SOCKET HD. BOLT M6X20	4	
68	673-489	RETAINING RING (E - TYPE) FOR D5 SHAFT	2	
69	877-865	BIT GUIDE	1	
70	877-873	SPRING (B)	1	
70	877-883	SPRING (C)	1	FOR EUROPE
71	877-867	LEVER SPRING	1	
72	877-868	HINGE PIN (A)	1	
73	949-661	HEX. SOCKET HD. BOLT M6X30 (10 PCS.)	1	
74	877-876	RIBBON SPRING	1	
75	949-453	SPRING WASHER M4 (10 PCS.)	3	
76	949-812	HEX. SOCKET HD. BOLT M4X10 (10 PCS.)	3	
77	949-535	ROLL PIN D3X12 (10 PCS.)	1	
78	985-661	WASHER	1	
79	877-705	PLUNGER O - RING	1	SINCE 5.1986
80		CAUTION PLATE	1	FOR EUROPE

STANDARD ACCESSORIES

ITEM NO.	CODE NO.	DESCRIPTION	NO. USED	REMARKS
501	944-459	HEX. BAR WRENCH 5MM	1	
502	944-458	HEX. BAR WRENCH 4MM	1	
503	943-277	HEX. BAR WRENCH 3MM	1	
504	875-769	EYE PROTECTOR	1	
505	877-153	PNEUMATIC TOOL LUBRICANT (30CC)	1	FOR EUROPE

OPTIONAL ACCESSORIES

ITEM NO.	CODE NO.	DESCRIPTION	NO. USED	REMARKS
601	876-762	SINGLE SHOT PARTS	1	

* : ALTERNATIVE PARTS