

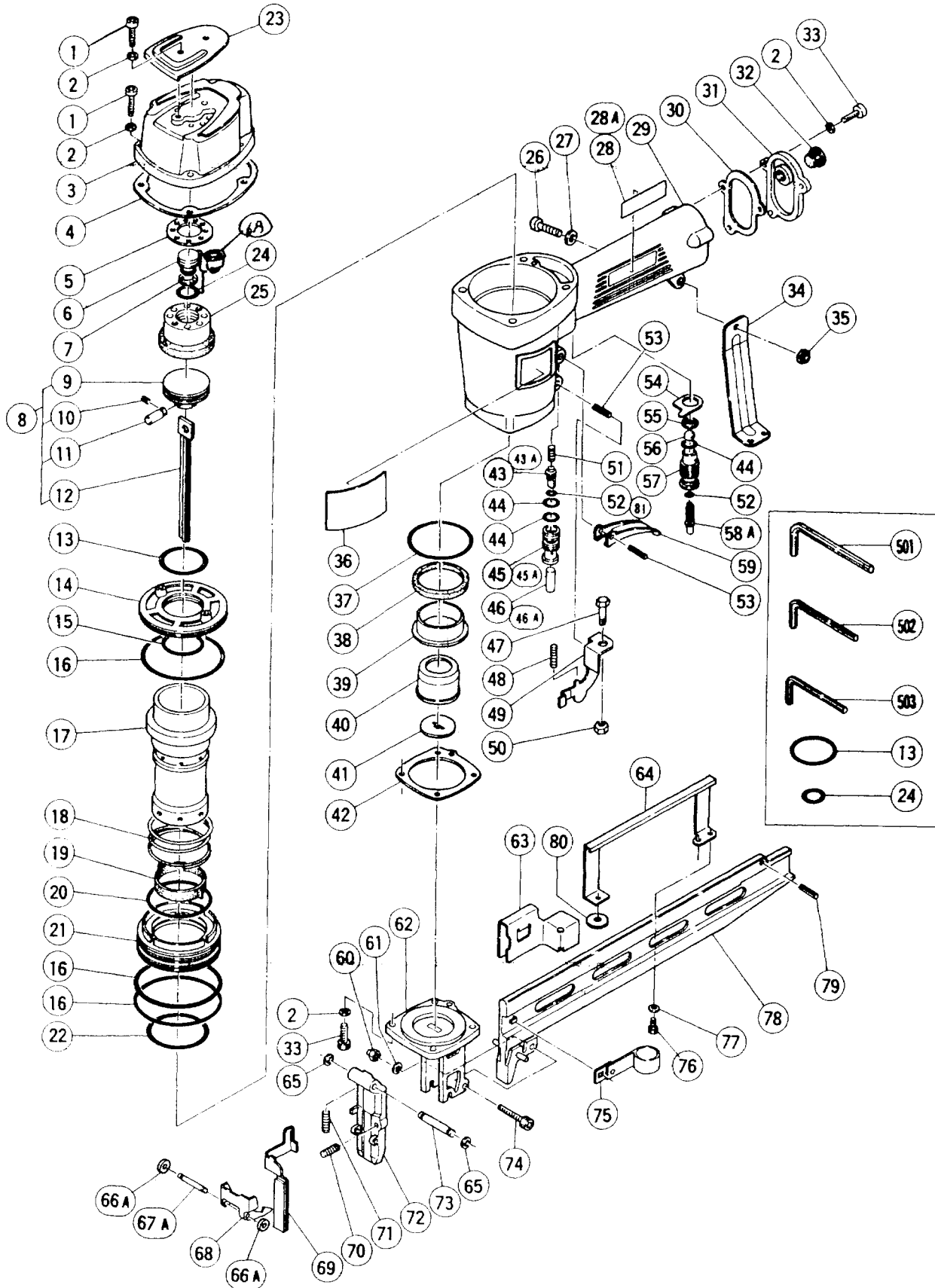
## PNEUMATIC TOOL PARTS LIST

**STAPLER**

1987·4·10

Model N5008A1

N5008A1(E3)



Item No.	Code No.	Part Name	Q'ty	Remarks
1	949757	Hexagon Socket Hd. Bolt M5 x 20	6	(10 pcs.)
2	949454	Spring Lock Washer	13	for M5 (10 pcs.)
3	877128	Exhaust Cover	1	
4	876176	Packing (B)	1	
5	876178	Packing (C)	1	
6	<del>878027</del>	Valve Rubber Ass'y 878539	1	includ. 7
7	877404	Exhaust Valve Rubber	1	
8	878022	Piston Ass'y	1	includ. 9 ~ 12
9	878023	Piston	1	
10	875614	Roll Pin D2 x 12	1	
11	876255	Bit Pin	1	
12	878024	Drive Bit	1	
13	876174	Piston O-ring	2	
14	876168	Cylinder Plate	1	
15	877126	Cylinder O-ring (D)	1	
16	876161	O-ring (S65)	3	
17	878021	Cylinder	1	
18	876172	Cylinder Spring	1	
19	876167	Cylinder Ring	1	
20	877123	Cylinder O-ring (A)	1	
21	877122	Cylinder Guide	1	
22	877124	Cylinder O-ring (B)	1	
23	876179	Top Cover	1	
24	872821	Valve O-ring	2	
25	878026	Head Cap Ass'y	1	
26	949658	Hexagon Socket Hd. Bolt M5 x 18	1	(10 pcs.)
27	876205	Washer	1	
28	950565	HITACHI Label	1	till 7. 1986
28A	957561	HITACHI Label	1	since 8. 1986
29	878020	Body (B)	1	
30	877131	Packing (D)	1	
31	876714P	Cap	1	
32	872035	Dust Cap	1	
33	965263	Hexagon Socket Hd. Bolt M5 x 16	7	
34	878030	Handle Arm	1	
85	877371	Nylon Nut M5	1	
36	—	Name Plate	1	
37	877125	Cylinder O-ring (C)	1	
38	876169	Cylinder Damper	1	
39	876633	Damper Ring	1	
40	<del>878025</del>	Piston Damper 878032	1	
41	878031	Damper Sheet	1	
42	876673	Packing (A)	1	
43	876739	Safety Plunger (A)	1	till 4. 1986
43A	877881	Plunger (A)	1	since 5. 1986
44	875638	O-ring (S12)	3	
45	876735	Safety Valve Bushing	1	till 4. 1986
45A	877880	Valve Bushing	1	since 5. 1986
46	875642	Safety Plunger (B)	1	till 4. 1986
46A	877882	Plunger (B)	1	since 5. 1986
47	875650	Safety Bolt	1	
48	877871	Spring (A)	1	
49	878029	Push Lever (A)	1	

Item No.	Code No.	Part Name	Q'ty	Remarks
50	949555	Nut M5	1	
51	875643	Plunger Spring	1	
52	874820	Plunger O-ring	1	since 5. 1986
53	874207	Roll Pin D3 x 30	2	
54	875644	Valve Plate	1	
55	875637	Valve Packing	1	
56	875645	Urethane Ball (B) D7.14	1	
57	876738	Trigger Valve Bushing	1	
58A	878121	Trigger Plunger	1	
59	876203	Trigger	1	
60	963837	Nylon Nut M6	1	
61	949455	Spring Lock Washer	1	for M6 (10 pcs.)
62	878028	Tail Cover	1	
63	877875	Staple Feeder	1	
64	877877	Magazine Cover	1	
65	673489	E-Type Retaining Ring	2	for Shaft 5 mm
66A	877826	Feeder Shaft Ring	2	for Shaft 3 mm
67A	877879	Hinge Pin (B) Ass'y	1	includ. 66A
68	877866	Lock Lever	1	
69	877872	Push Lever (B)	1	
70	877867	Lever Spring	1	
71	877873	Spring (B)	1	
72	877865	Bit Guide	1	
73	877868	Hinge Pin (A)	1	
74	949661	Hexagon Socket Hd. Bolt M6 x 30	1	(10 pcs.)
75	877876	Ribbon Spring	1	
76	972162	Hexagon Socket Hd. Bolt M4 x 10	3	
77	949453	Spring Lock Washer	3	(10 pcs.)
78	877874	Staple Guide Ass'y	1	includ. 79
79	949535	Roll Pin D3 x 12	1	(10 pcs.)
80	985661	Washer	1	
81	877705	Plunger O-Ring	1	since 5. 1986

## STANDARD ACCESSORIES

Item No.	Code No.	Part Name	Q'ty	Remarks
501	944459	Hexagon Bar Wrench 5 mm	1	for M6 Bolt
502	944458	Hexagon Bar Wrench 4 mm	1	for M5 Bolt
503	943277	Hexagon Bar Wrench 3 mm	1	for M4 Bolt

