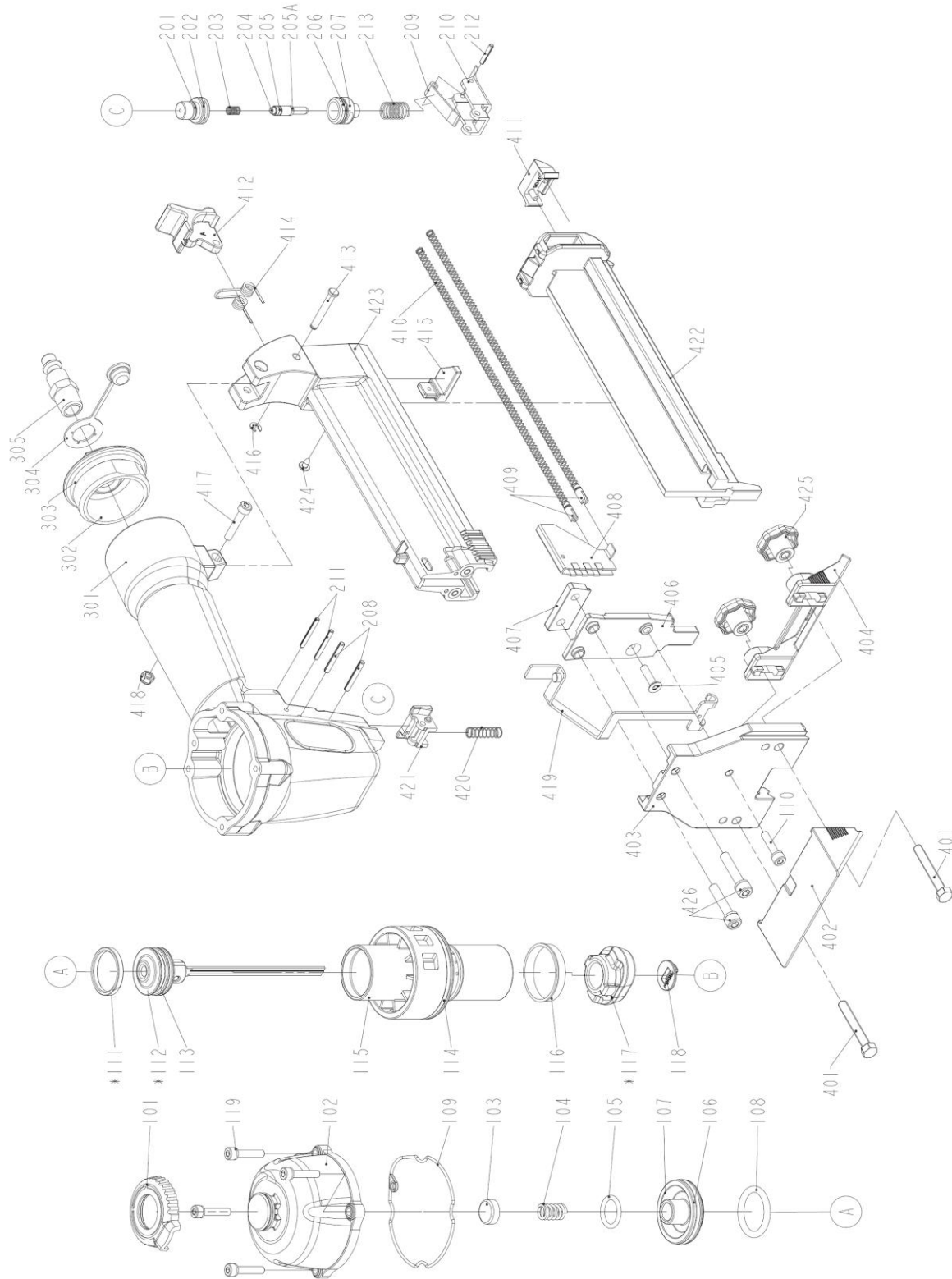


PNEUMATIC TOOL PARTS LIST

■ FLOORING STAPLER
Model N 4004AB

2019 • 08 • 20
(E1)



PARTS

N4004AB

ITEM NO.	CODE NO.	DESCRIPTION	NO. USED	REMARKS
101	882-270	DEFLECTOR		
102	889687	CAP		
103	882-273	SEAL		
104	882-274	COMPRESSION SPRING		
105	882-275	O - RING		
106	882-277	O - RING		
107	889688	HD.VALVE PISTON		
108	882-278	O - RING		
109	889689	CYLINDER CAP SEAL		
110	889690	BOLT ASSY		
111*	889691	PISTON RING		
112*	889692	DRIVER UNIT		
113	889693	O - RING		
114	889694	O - RING		
115	889695	CYLINDER		
116	882-286	CYLINDER RING		
117*	889696	BUMPER		
118	889697	JOINT GUIDE		
119	889698	BOLT ASSY		
201	889699	O - RING		
202	889700	TRIGGER VALVE HEAD		
203	884-664	SPRING		
204	889701	PLUNGER		
205	888-602	O - RING		
205A	882-293	O - RING		
206	889702	O - RING		
207	889703	PLUNGER CAP		
208	889704	SPRING PIN		
209	889705	SECONDARY TRIGGER		
210	889706	TRIGGER		
211	889707	SPRING PIN		
212	889708	SPRING PIN		
213	889709	SPRING		
301	889710	GUN BODY UNIT		
302	889711	END CAP		
303	882-302	O - RING		
304	887-563	AIR PLUG CAP		
305	887-564	AIR PLUG		
401	889712	SCREW		
402	889713	FIXED SUPPORT		
403	889714	RELIEF PLATE		
404	889715	PROTECTIVE CUSHION		
405	889716	COUNTER SUNK SCREW		
406	889717	DRIVER GUIDE COVER		
407	889718	GASKET		
408	889719	PUSHER		
409	889720	SHAFT		
410	889721	PUSHER SPRING		
411	889722	REAR PLATE		
412	889723	LATCH		
413	889724	LATCH PIN		
414	889725	SPRING		
415	889726	STOPPER		
416	885-068	E - RING		
417	889727	HEX.SOC.HD.BOLT		
418	887-567	LOCK NUT		
419	889728	SAFETY		
420	889729	LATCH SPRING		
421	889730	SAFETY GUIDE		
422	889731	MAGAZINE A		
423	889732	MAGAZINE B		
424	889733	TAP BOLT		
425	889734	HAND UNT		

