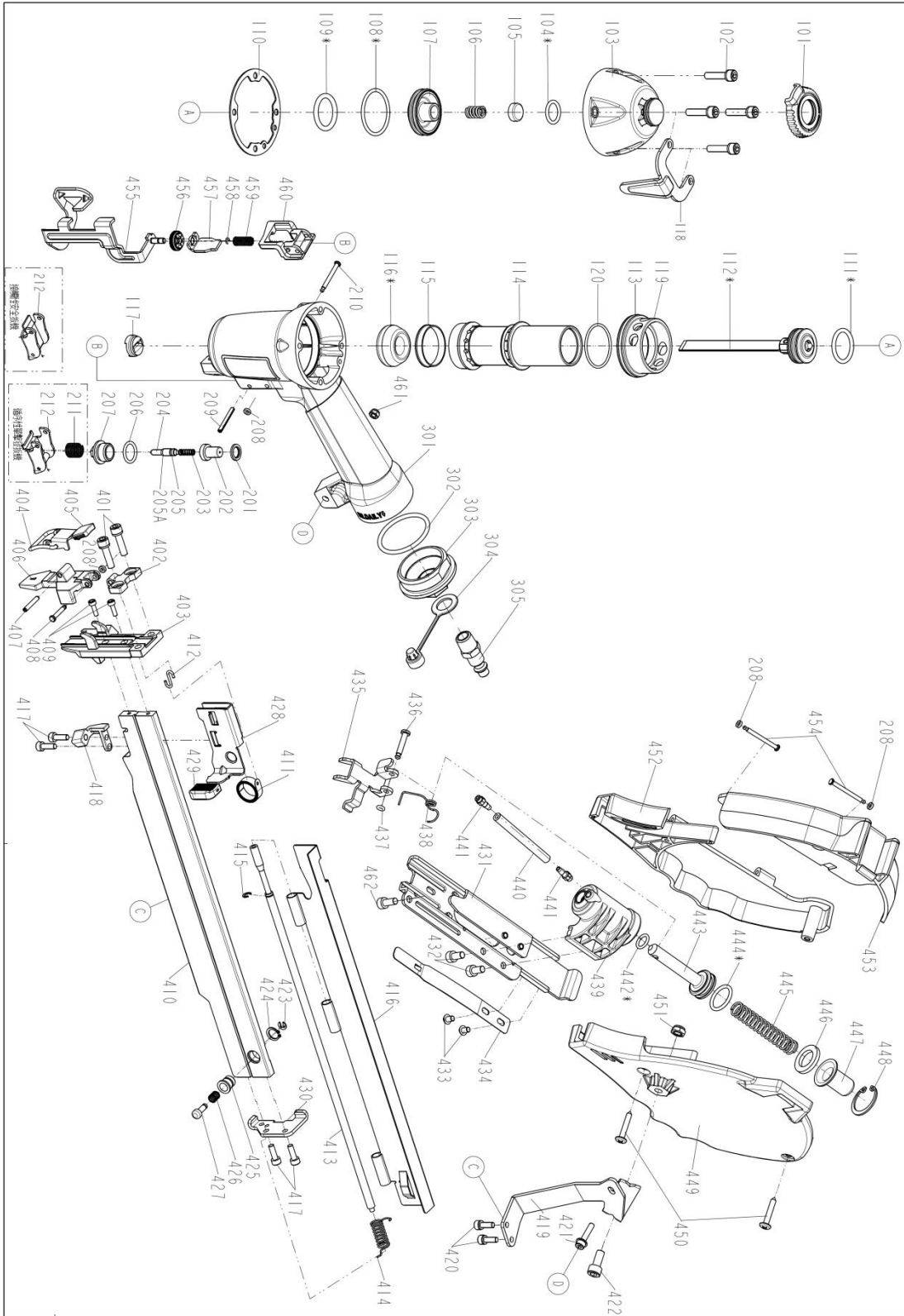


PNEUMATIC TOOL PARTS LIST

■ CAP STAPLER
Model N 3808AP

2018 • 12 • 03
(E3)



PARTS

N3808AP

ITEM NO.	CODE NO.	DESCRIPTION	NO. USED	REMARKS
101	889360	DEFLECTOR		
102	889361	BOLT ASSY		
103	889362	TOP CAP		
104	889363	O - RING		
105	889364	SEAL		
106	889365	COMPRESSION SPRING		
107	889366	HD.VALVE PISTON		
108	889367	O - RING		
109	889368	O - RING		
110	889369	PACKING		
111	889370	O - RING		
112	889371	DRIVER UNIT		
113	889372	O - RING		
114	890190	CYLINDER		
115	889374	CYLINDER RING		
116	889375	BUMPER		
117	889376	JOINT GUIDE		
118	889377	HOOK		
119	890191	COLLAR		
120	890192	O - RING		
201	889378	SEAL		
202	889379	TRIGGER VALVE HEAD		
203	889380	TRIGGER VALVE SPRING		
204	889381	TRIGGER VALVE STEM		
205	889382	O - RING		
205A	889383	O - RING		
206	889384	O - RING		
207	889385	TRIGGER VALVE GUIDE		
208	889386	URETHANE RETAINER		
209	889387	SPRING PIN		
210	889388	TRIGGER PIVOT PIN		
211	889389	TRIGGER SPRING		
212	889390	TRIGGER UNIT (BUMP FIRE)		
212	889394	TRIGGER UNIT (SEQUENTIAL)		
301	889398	HOUSING		
302	889400	O - RING		
303	889401	END CAP		
304	889402	DUST PROTECTOR		
305	889403	AIR PLUG		
401	889404	BOLT ASSY		
402	889405	DRIVER GUIDE COVER B		
403	889406	DRIVER GUIDE		
404	889407	LOCK HANDLE UNIT		
405	889408	RUBBER COVER		
406	889409	DRIVER GUIDE COVER A		
407	889410	SPIRAL PINS		
408	889411	FIXED PIN		
409	889412	HEX.SOC.HD.BOLT		
410	889413	PLATE		
411	889414	SPRING		
412	889415	SPRING RETAINER		
413	889416	ROD		
414	889417	SPRING A		
415	889418	C-RING		
416	889419	MOUNTING BRACKET		
417	889420	HEX.SOC.HD.BOLT		
418	889421	BRACKET PLATE		
419	889422	BRACKET A		
420	889423	BOLT ASSY		
421	889424	BOLT		
422	889425	HEX.SOC.HD.BOLT		
423	889426	E-RING		
424	889427	SNAP RING		
425	889428	DOOR LATCH COVER		
426	889429	LATCH SPRING		

