

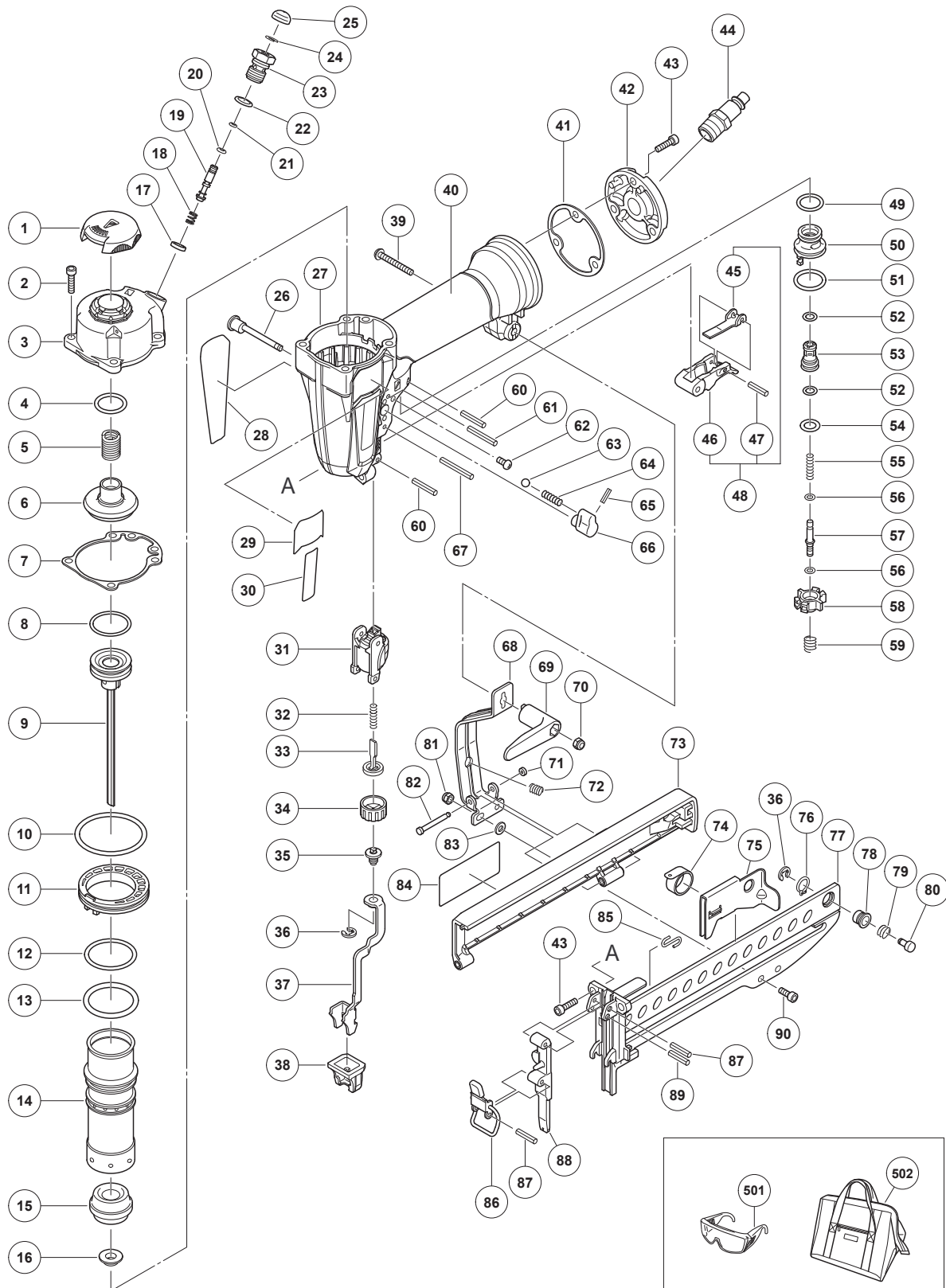
PNEUMATIC TOOL PARTS LIST

STAPLER

Model N 3804A5

2019 · 4 · 12

(E1)



PARTS

N 3804A5

ITEM NO.	CODE NO.	DESCRIPTION	NO. USED	REMARKS
1	886197	TOP COVER	1	
2	949757	HEX. SOCKET HD. BOLT M5 X 20 (10 PCS.)	4	
3	889494	EXHAUST COVER	1	
4	878600	HEAD VALVE O-RING	1	
5	880190	HEAD VALVE SPRING	1	
6	880410	HEAD VALVE (A)	1	
7	885868	GASKET	1	
8	886068	O-RING (P22.4)	1	
9	890204	PISTON	1	
10	885871	O-RING (I.D 44.7)	1	
11	885872	CYLINDER PLATE	1	
12	301684	O-RING (S-30)	1	
13	986374	O-RING (P-32)	1	
14	885873	CYLINDER	1	
15	885874	PISTON BUMPER	1	
16	885968	BUMPER PIECE	1	
17	884338	VALVE PACKING	1	
18	887177	SPRING	1	
19	884333	PLUNGER	1	
20	873093	O-RING (1AP-3)	1	
21	881715	O-RING (S3)	1	
22	987105	O-RING (S-10)	1	
23	887150	VALVE BUSHING	1	
24	968643	RETAINING RING (E-TYPE) FOR D4 SHAFT	1	
25	886743	KNOB	1	
26	888798	CHANGE ROD (D)	1	
27	889493	BODY ASS'Y	1	INCLUD.40
28	889538	LABEL	1	
29	890195M	NAME PLATE	1	
30	889535M	BRAND LABEL	1	
31	890193	PUSHING LEVER GUIDE (E)	1	
32	885881	PUSHING LEVER SPRING (A)	1	
33	889331	PUSHING LEVER (D)	1	
34	886736	ADJUSTER	1	
35	885885	PUSHING LEVER (B)	1	
36	872971	RETAINING RING (E-TYPE) FOR D3 SHAFT	2	
37	885972	PUSHING LEVER (A)	1	
38	885969	NOSE CAP	1	
39	887138	MACHINE SCREW (W/WASHER) M5 X 40 (BLACK)	1	
40		GRIP RUBBER	1	SUPPLIED WITH ITEM NO.601,602
41	887171	GASKET (B)	1	
42	886734	CAP (A)	1	
43	949821	HEX. SOCKET HD. BOLT M5 X 16 (10 PCS.)	5	
44	890047	AIR PLUG NPT 1/4	1	
45	887755	TRIGGER ARM (D)	1	
46	887695	TRIGGER (D)	1	
47	881951	ROLL PIN D2.5 X 16	1	
48	887756	TRIGGER (D) ASS'Y	1	INCLUD.45-47
49	877763	FEED PISTON O-RING (I.D. 14)	1	
50	884963	VALVE BUSHING (B)	1	

PARTS

N 3804A5

ITEM NO.	CODE NO.	DESCRIPTION	NO. USED	REMARKS
51	873570	O-RING (P-18)	1	
52	889335	O-RING (P-7)	2	
53	884964	VALVE PISTON	1	
54	889495	O-RING (1AP-10)	1	
55	887178	PLUNGER SPRING	1	
56	878888	O-RING (I.D. 1.8)	2	
57	887679	PLUNGER	1	
58	884962	VALVE BUSHING (A)	1	
59	887752	TRIGGER ARM SPRING	1	
60	887621	ROLL PIN D3 X 25	2	
61	371080	ROLL PIN D3 X 32	1	
62	949202	MACHINE SCREW M3 X 6 (10 PCS.)	1	
63	959155	STEEL BALL D3.97 (10 PCS.)	1	
64	887673	SPRING	1	
65	887458	ROLL PIN D3 X 10 (10 PCS.)	1	
66	887684	CHANGE KNOB (D)	1	
67	887675	ROLL PIN D3 X 35	1	
68	890194	HANDLE ARM	1	
69	886940	HOOK	1	
70	877371	NYLON NUT M5	1	
71	888104	RUBBER RING	1	
72	885983	SPRING	1	
73	886737	MAGAZINE COVER	1	
74	885981	RIBBON SPRING	1	
75	885980	STAPLE FEEDER	1	
76	885977	RETAINING RING	1	
77	885970	MAGAZINE	1	
78	885975	STOPPER SLEEVE	1	
79	885976	STOPPER SPRING	1	
80	885974	FEEDER STOPPER	1	
81	876465	NYLON NUT M4	2	
82	890205	HINGE PIN	1	
83	885985	WASHER	2	
84	890196	WARNING LABEL	1	
85	885982	SPRING HOOK	1	
86	885889	LOCK LEVER	1	
87	949518	ROLL PIN D3 X 18 (10 PCS.)	2	
88	885971	GUIDE PLATE	1	
89	886193	ROLL PIN D3.2 X 19	1	
90	949813	HEX. SOCKET HD. BOLT M4 X 12 (10 PCS.)	2	

