

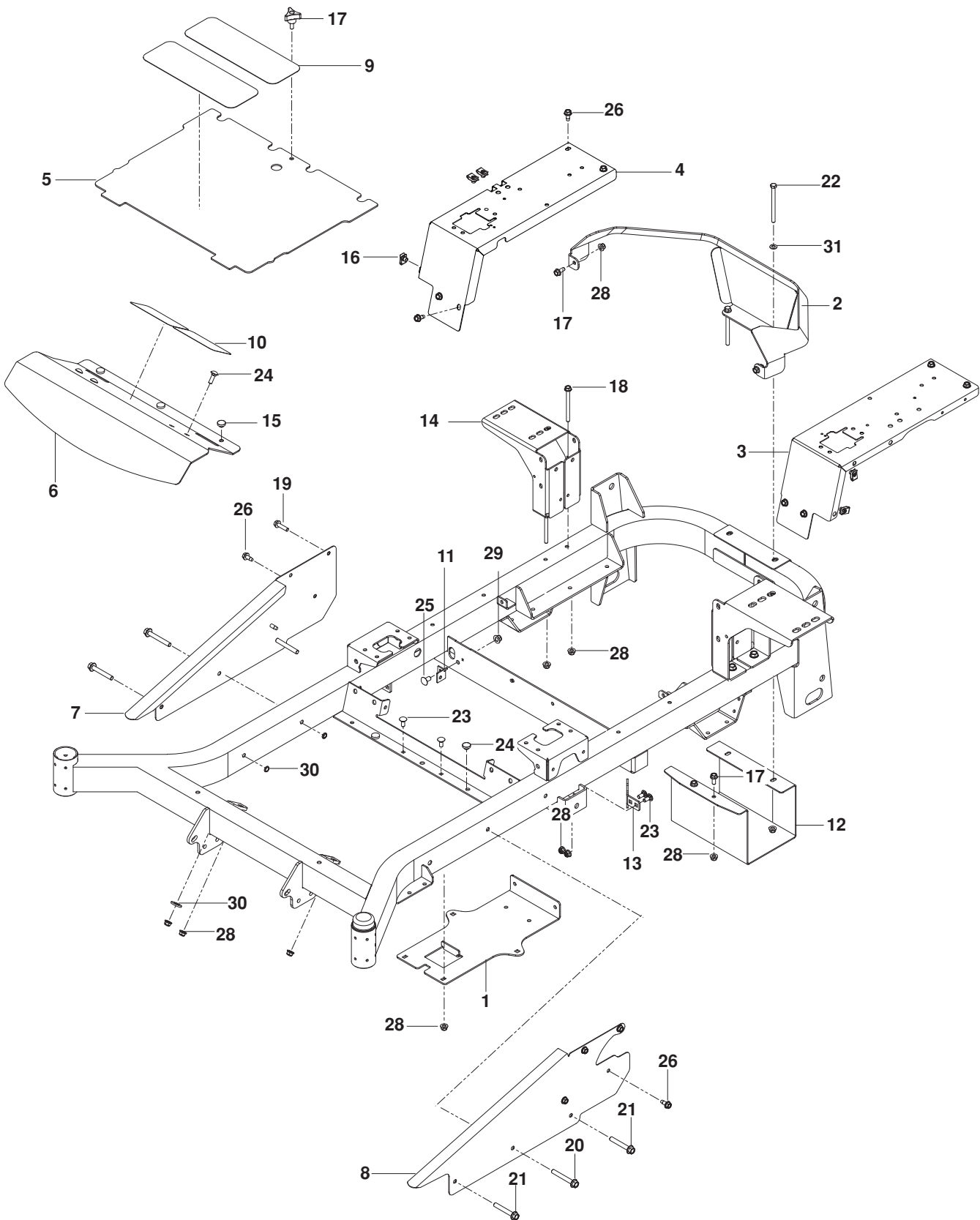
Gasoline containing up to 10% ethanol (E10) is acceptable for use in this machine. The use of any gasoline exceeding 10% ethanol (E10) will void the product warranty.

Parts Manual **MZ5425S / 250211**



Please read the operator's manual carefully and make sure you understand the instructions before using the machine.

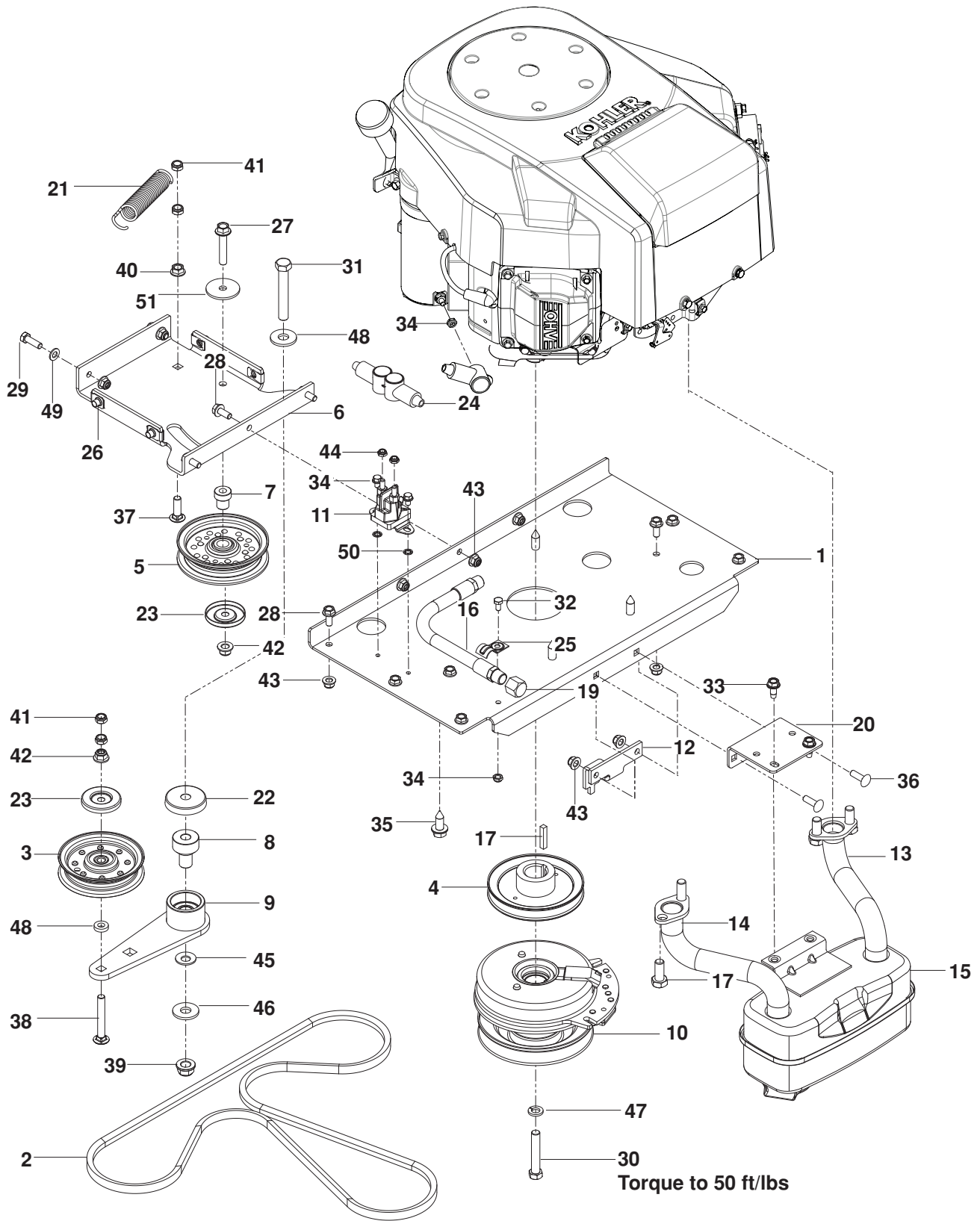
FRAME



FRAME

ITEM	PART NO.	QTY.	DESCRIPTION	ITEM	PART NO.	QTY.	DESCRIPTION
1..	575 017202....	1 PLATE, BATTERY, BLK	18..	539 131780....	4 HHFS $\frac{5}{16}$ -18 x $3\frac{3}{4}$
2..	575 348402....	1 GUARD, REAR GRY	19..	525 544001....	1 HHFS $\frac{5}{16}$ -18 x $1\frac{1}{4}$ TPBLT
3..	577 256802....	1 PANEL, LT ORG	20..	539 131781....	2 HHFS $\frac{3}{8}$ -16 x $2\frac{3}{4}$
4..	577 256902....	1 PANEL, RT ORG	21..	539 133006....	4 HHFS $\frac{3}{8}$ -16 x $2\frac{1}{2}$
5..	539 132744....	1 PLATE w/ SAFTY DECAL ORG	22..	539 102335....	3 HCS $\frac{5}{16}$ -18 x 4
6..	539 132380....	1 PLATE, FOOTREST ORG	23..	539 990316....	6 RHSNB $\frac{5}{16}$ -18 x $\frac{3}{4}$
7..	539 131579....	1 SIDE, RT ORG	24..	539 990208....	3 RHSNB $\frac{5}{16}$ -18 x 1
8..	539 131577....	1 SIDE, LT ORG	25..	539 109117....	2 RHSNB $\frac{3}{8}$ -16 x $\frac{3}{4}$
9..	539 977778....	2 PAD, ABRASIVE LG	26..	539 107475..	12 BOLT $\frac{5}{16}$ -18 x $\frac{3}{4}$ THD FRM
10..	539 121322....	2 PAD, ABRASIVE SM	27..	539 200282....	6 NUT $\frac{3}{8}$ -16 HEX JAM NYLOC
11..	575 245202....	2 BRACKET, DAMPENER	28..	539 112899....	6 NUT $\frac{5}{16}$ -18 HEX FLANGE NYL
12..	575 230402....	1 SHIELD, MUFFLER BLK	29..	521 996501....	2 NUT $\frac{3}{8}$ -16 HEX FLG NYLOC
13..	505 256401....	2 STOP, DECK	30..	539 990250....	1 WASHER
14..	575 533602....	2 MOUNT, TANK BLK	31..	539 990188....	2 WASHER $\frac{5}{16}$ SAE FLAT
15..	539 102587....	5 BUMPER	NOT SHOWN			
16..	539 104763....	8 RETAINER, U TYPE $\frac{5}{16}$ -18	539 132859 ...	1 HEAT SHIELD, MUFFLER	
17..	525 464701....	5 HHFS $\frac{5}{16}$ -18 x $\frac{3}{4}$				

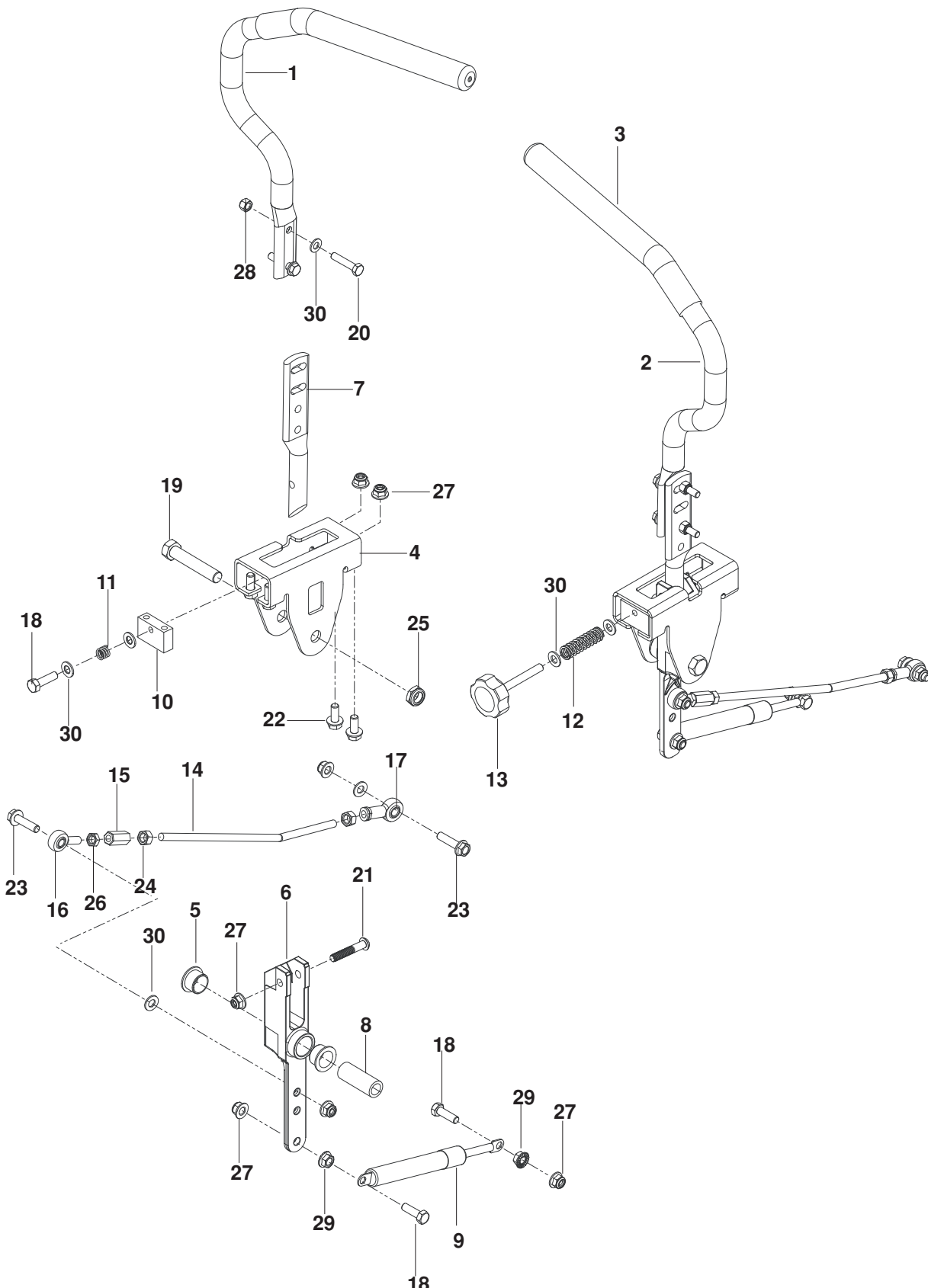
ENGINE PLATE



ENGINE PLATE

ITEM	PART NO.	QTY.	DESCRIPTION	ITEM	PART NO.	QTY.	DESCRIPTION
1..	574 846302....	1 PLATE, ENGINE BLK	28..	525 464701..	11 HHFS $\frac{5}{16}$ -18 x $\frac{3}{4}$
2..	574 870901....	1 BELT	29..	539 990209....	2 HCS $\frac{5}{16}$ -18 x 1
3..	539 107620....	1 PULLEY, IDLER SECONDARY	30..	539 991120....	1 HCS $\frac{7}{16}$ -20 x 2 $\frac{1}{2}$
4..	574 811001....	1 PULLEY, V 1 $\frac{1}{8}$ BORE	31..	539 103433....	1 HCS $\frac{1}{2}$ -13 x 3 $\frac{1}{4}$
5..	539 976688....	1 PULLEY, IDLER	32..	539 990071....	1 HCS $\frac{1}{4}$ -20 x $\frac{1}{2}$
6..	574 846402....	1 PLATE, IDLER SUPPORT	33..	539 107475....	2 BOLT $\frac{5}{16}$ -18 x $\frac{3}{4}$ THD FRM
7..	525 435601....	1 PIVOT, IDLER	34..	539 990302....	2 SCREW $\frac{1}{4}$ -20 x 8 THD FRM
8..	510 206301....	1 PIVOT, BEARING	35..	532 120616....	4 HHFS $\frac{3}{8}$ -16 x 1 THD FRM
9..	510 041603....	1 ARM, IDLER w/ BEARINGS	36..	539 107271....	2 RHSNB $\frac{5}{16}$ -18 x 1
10..	574 607001....	1 CLUTCH, 200 FT-LB	37..	539 100413....	1 RHSNB $\frac{3}{8}$ -16 x 1 $\frac{1}{4}$
11..	539 101714....	1 SOLENOID	38..	539 130235....	1 RHSNB $\frac{3}{8}$ -16 x 2 $\frac{3}{4}$
12..	575 017302....	1 STOP, CLUTCH	39..	521 991101....	1 NUT $\frac{1}{2}$ -13 HEX FLG NYLOC
13..	532 146170....	1 EXHAUST TUBE, RT	40..	539 990613....	1 NUT $\frac{3}{8}$ -16 HEX WHIZLK
14..	532 146699....	1 EXHAUST TUBE, LT	41..	539 200282....	4 NUT $\frac{3}{8}$ -16 HEX JAM NYLOC
15..	539 131604....	1 MUFFLER ASM TWIN	42..	521 996501....	2 NUT $\frac{3}{8}$ -16 HEX FLG NYLOC
16..	539 101362....	1 HOSE, DRAIN	43..	539 112899..	15 NUT $\frac{5}{16}$ -18 HEX FLG NYLOC
17..	539 912757....	1 KEY $\frac{1}{4}$ SQ x 1 $\frac{1}{4}$	44..	539 108120....	3 NUT $\frac{1}{4}$ -20 HEX THIN NYLOC
18..	539 976934....	4 HCS $\frac{5}{16}$ -18 x $\frac{3}{4}$	45..	539 115528....	1 WASHER $\frac{1}{2}$ " BELLEVILLE
19..	539 101364....	1 PLUG, OIL	46..	539 109554....	2 WASHER $\frac{1}{2}$ FLAT ZD
20..	575 229902....	1 BRACKET, MUFFLER, BLK	47..	539 990247....	1 WASHER $\frac{7}{16}$ SLW
21..	510 254401....	1 SPRING, PUMP	48..	539 109562....	1 WASHER $\frac{3}{8}$ x $\frac{3}{4}$
22..	539 114662....	1 SHIELD, DUST	49..	539 990188....	2 WASHER $\frac{5}{16}$ SAE FLAT
23..	510 254501....	2 SHIELD, DUST	50..	539 990053....	2 WASHER $\frac{1}{4}$ INT TOOTH LK
24..	539 102759....	3 INSULATOR	51..	539 111897....	1 WASHER, SPECIAL
25..	539 101363....	1 CLAMP				NOT SHOWN
26..	539 104763....	4 RETAINER, U TYPE		539 102757 ...	1 CABLE, POSITIVE
27..	525 866201....	1 HHFS $\frac{3}{8}$ -16 x 2		539 107516 ...	1 PIGTAIL

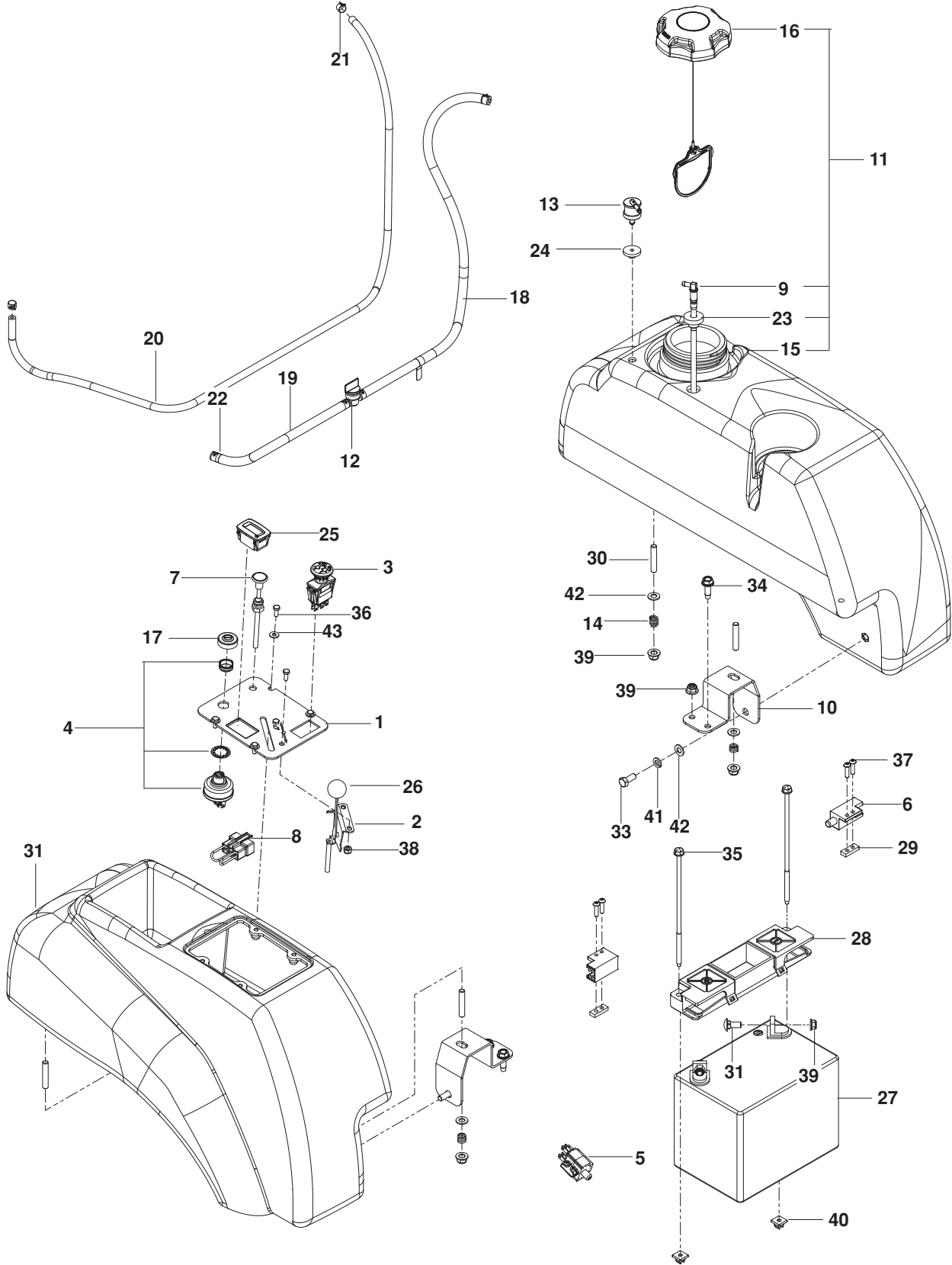
STEERING



STEERING

ITEM	PART NO.	QTY.	DESCRIPTION	ITEM	PART NO.	QTY.	DESCRIPTION
1..	539 132009....	1	LEVER w/ GRIP RT	16..	539 115729....	2	ROD END RT
2..	539 132010....	1	LEVER w/ GRIP LT	17..	539 116690....	2	ROD END LT
3..	539 130894....	2	GRIP, FOAM	18..	539 990627....	5	HCS $\frac{5}{16}$ -18 x $1\frac{1}{4}$
4..	577 251701....	2	BRACKET, CONTROL	19..	539 101332....	2	HCS $\frac{1}{2}$ -13 x $2\frac{3}{4}$
5..	539 131518....	4	BEARING, FLANGE	20..	539 976935....	4	HCS $\frac{5}{16}$ -18 x $1\frac{1}{2}$
6..	576 140301....	2	LEVER, CONTROL	21..	576 850402....	2	SCREW $\frac{5}{16}$ -18 X $1\frac{3}{4}$ BTN HD
7..	577 420001....	2	LEVER, HANDLE	22..	525 464701....	8	HHFS $\frac{5}{16}$ -18 X $\frac{3}{4}$
8..	577 252401....	2	SPACER, PIVOT CONTROL	23..	525 544001....	4	HHFS $\frac{5}{16}$ -18 x $1\frac{1}{4}$ TPBLT
9..	539 102720....	2	DAMPENER	24..	539 990223....	4	NUT $\frac{5}{16}$ -24 HEX
10..	577 251801	2	BLOCK, TRACKING	25..	539 108010....	2	NUT $\frac{1}{2}$ -13 HEX JAM NYL GR2
11..	539 102845....	1	SPRING	26..	539 991073....	2	NUT $\frac{5}{16}$ -24 HEX JAM LH
12..	576 850301....	1	SPRING	27..	539 112899..	10	NUT $\frac{5}{16}$ -18 HEX FLG NYLOC
13..	539 131799....	1	KNOB	28..	539 990717....	6	NUT $\frac{5}{16}$ -18 HEX NYLOC
14..	574 811401....	2	ROD, MOTION CONTROL	29..	539 990585....	4	NUT $\frac{5}{16}$ -18 HEX WHIZLK
15..	539 116689....	2	COUPLER, ROD END	30..	539 990188..	12	WASHER $\frac{5}{16}$ SAE FLT

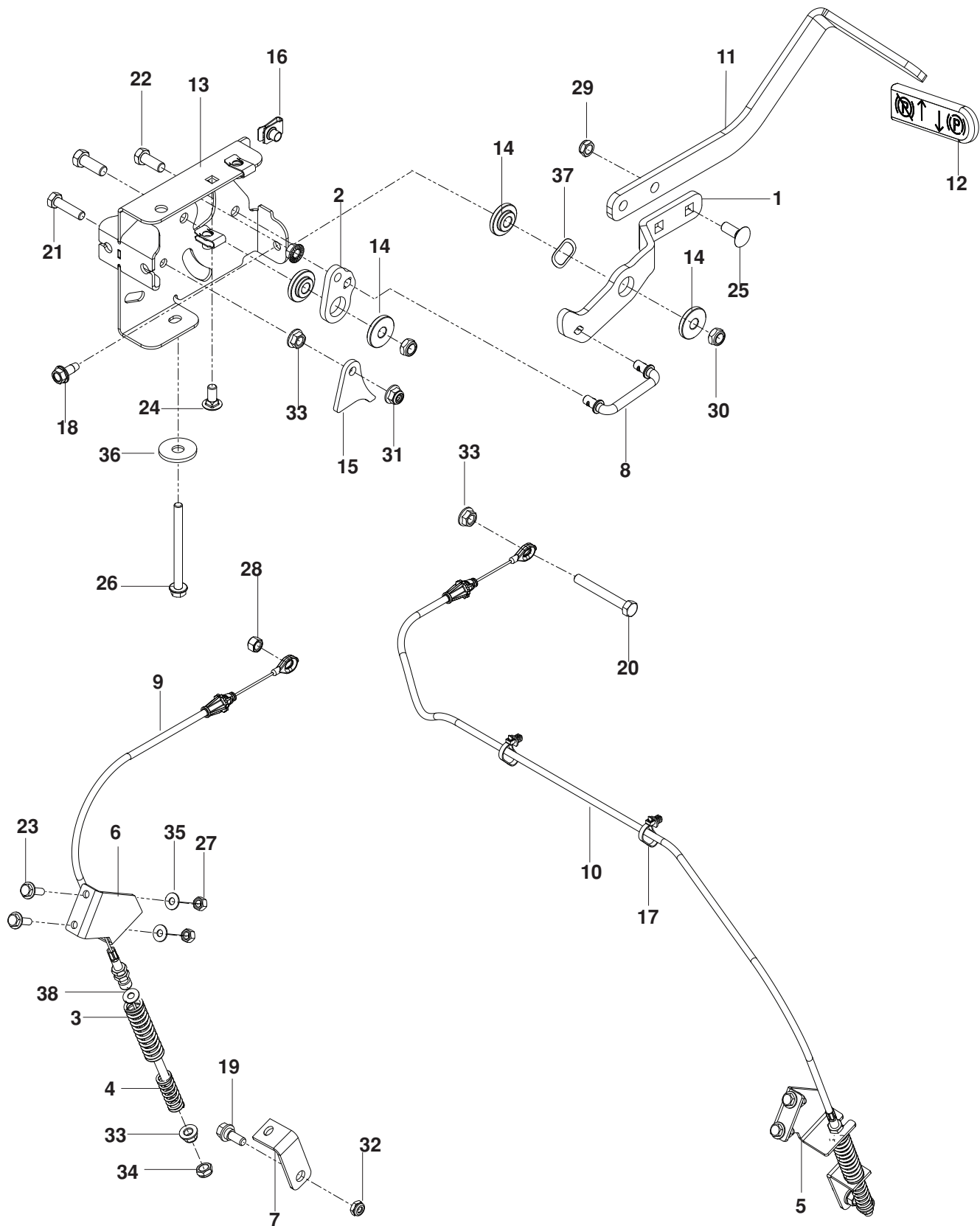
IGNITION



IGNITION

ITEM	PART NO.	QTY.	DESCRIPTION	ITEM	PART NO.	QTY.	DESCRIPTION
1..	574 841204....	1 PLATE, CONSOLE, BLK	26..	539 133049....	1 KNOB
2..	539 102732....	1 CABLE, THROTTLE	27..	539 102436....	1 BATTERY
3..	539 131627....	1 SWITCH, PTO 10 AMP	28..	539 107628....	1 BATTERY HOLD DOWN
4..	574 455401....	1 SWITCH, IGNITION	29..	539 102678....	2 PLATE, TAPPED
5..	539 113792....	1 SWITCH, BRAKE	30..	539 102502....	6 STUD $\frac{5}{16}$ -18
6..	539 101080....	2 SWITCH, INTERLOCK	31..	539 107593....	1 CONSOLE, RT
7..	539 113458....	1 CONTROL, CHOKE	32..	539 990316....	2 RHSNB $\frac{5}{16}$ -18 x $\frac{3}{4}$
8..	575 321001....	1 PLUG, TIMER	33..	539 976934....	2 HCS $\frac{5}{16}$ -18 x $\frac{3}{4}$
9..	576 469201....	1 FITTING, FUEL	34..	539 113226....	3 BOLT $\frac{5}{16}$ -18 x 1 THD FRM
10..	539 131671....	2 SUPPORT, TANK, BLK	35..	539 107632....	2 BOLT $\frac{1}{4}$ x $7\frac{1}{2}$
11..	576 370102....	1 TANK ASSY LT	36..	539 990411....	6 SCREW #10-24 x $\frac{1}{2}$ SLT
12..	539 916325....	1 VALVE, FUEL	37..	574 822701....	4 SCREW #10-24 x $\frac{3}{4}$ SKT HD
13..	576 618101....	1 VALVE, FUEL CHECK	38..	539 976977....	2 NUT #10-24 NYLOC
14..	539 102845....	6 SPRING	39..	539 112899....	12 NUT $\frac{5}{16}$ -18 HEX FLANGE NYL
15..	576 370101....	1 TANK, FUEL LT	40..	539 107629....	2 NUT $\frac{1}{4}$ PUSH NYLON
16..	575 018101....	1 FUEL CAP w /TETHER	41..	539 990187....	2 WASHER $\frac{5}{16}$ SLW
17..	539 103178....	1 CAP, IGNITION SWITCH NUT	42..	539 990188....	8 WASHER $\frac{5}{16}$ SAE
18..	539 107765....	1 HOSE, FUEL	43..	539 105408....	4 WASHER #10
19..	539 932956....	1 HOSE, FUEL 10"	NOT SHOWN			
20..	576 660602....	1 HOSE $\frac{3}{16}$ VAPOR 48"	539 104974 ...	1 POSITIVE CABLE	
21..	575 436501....	2 CLAMP, HOSE	539 107645 ...	1 NEGATIVE CABLE	
22..	539 912222....	4 CLAMP, HOSE	575 320901 ...	1 MAIN HARNESS	
23..	539 105245....	1 GROMMET, RUBBER	539 976856 ...	8 WIRE TIE	
24..	576 618201....	1 GROMMET, CHECK VALVE	574 455501 ...	1 KEY, IGNITION	
25..	576 179401....	1 HOUR METER				

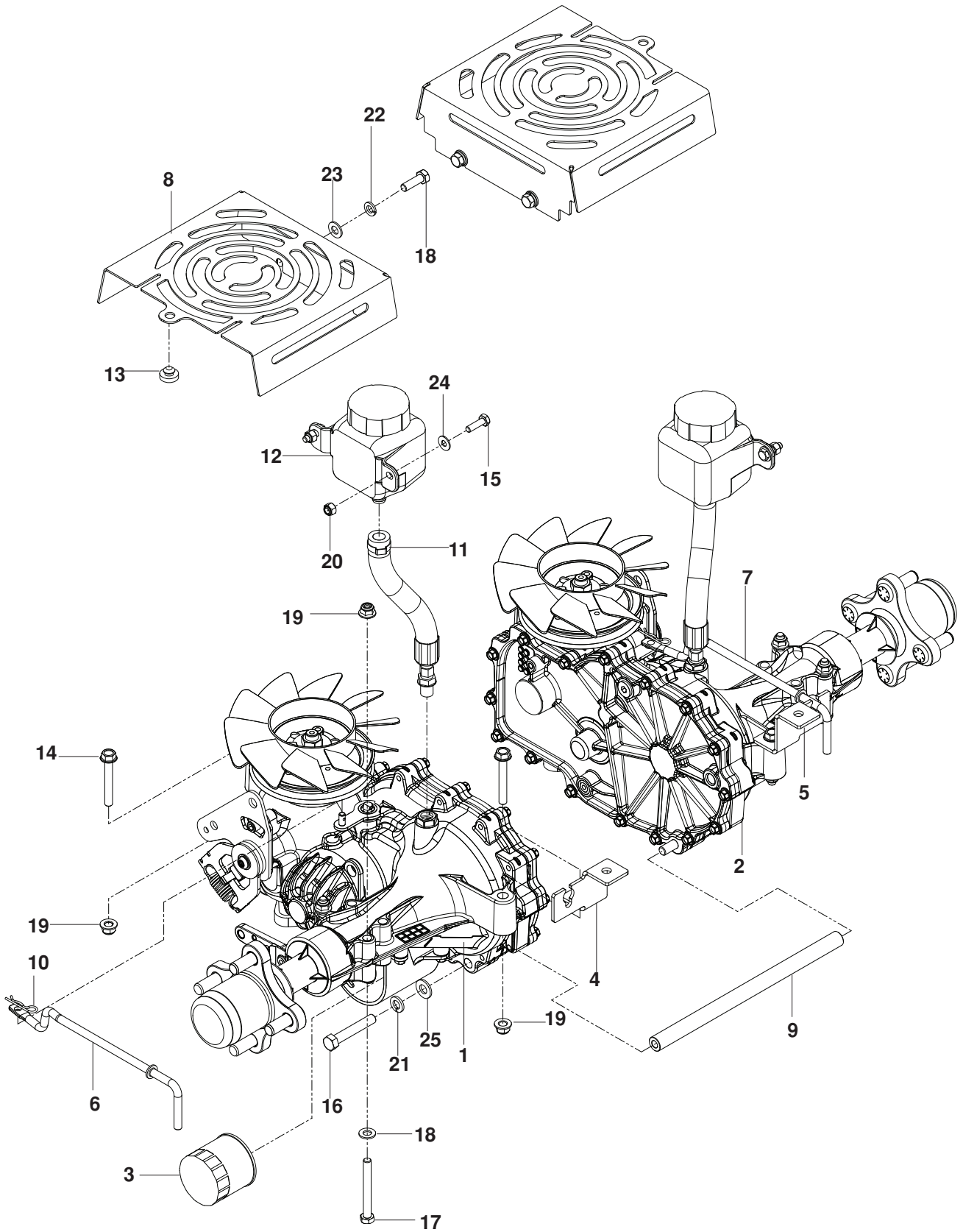
PARKING BRAKE



PARKING BRAKE

ITEM	PART NO.	QTY.	DESCRIPTION	ITEM	PART NO.	QTY.	DESCRIPTION
1..	539 132423....	1 LEVER, BRAKE	20..	539 108396....	1 HCS $\frac{5}{16}$ -18 x 2 $\frac{1}{2}$ TPBLT
2..	539 132153....	1 BELLCRANK, BRAKE	21..	539 990209....	1 HCS $\frac{5}{16}$ -18 x 1
3..	575 230201....	2 SPRING, RETURN	22..	539 990563....	2 HCS $\frac{3}{8}$ -16 x 1
4..	575 230301....	2 SPRING, ENGAGEMENT	23..	539 990643....	4 HCS $\frac{1}{4}$ -20 x $\frac{7}{8}$
5..	575 229602....	1 BRACKET, RT	24..	539 990316....	1 RHSNB $\frac{5}{16}$ -18 x $\frac{3}{4}$
6..	575 229702....	1 BRACKET, LT	25..	539 990645....	2 RHSNB $\frac{3}{8}$ -16 x 1
7..	575 229802....	2 BRACKET, BRAKE	26..	539 131780....	1 HHFS $\frac{5}{16}$ -18 x 3 $\frac{3}{4}$
8..	539 132424....	1 LINKAGE, BRAKE	27..	539 976978....	4 NUT $\frac{1}{4}$ -20 HEX NYLOC
9..	539 132173....	1 CABLE, BRAKE, SHORT	28..	539 990717....	1 NUT $\frac{5}{16}$ -18 HEX NYLOC
10..	539 132174....	2 CABLE, BRAKE, LONG	29..	521 996501....	2 NUT $\frac{3}{8}$ -16 HEX FLG NYLOC
11..	539 132151....	1 ARM, BRAKE	30..	539 200282....	2 NUT $\frac{3}{8}$ -16 HEX JAM NYLOC
12..	539 105036....	1 GRIP, BRAKE ARM	31..	539 112899....	2 NUT $\frac{5}{16}$ -18 HEX FLG NYLOC
13..	539 132158....	1 MOUNT, BRAKE	32..	539 115617....	2 NUT $\frac{5}{16}$ HEX NYLOC
14..	539 132161....	4 BUSHING, BRAKE	33..	539 990585....	5 NUT $\frac{5}{16}$ -18 HEX WHIZLK
15..	539 132154....	1 ACTUATOR, SWITCH	34..	539 107897....	2 NUT $\frac{5}{16}$ -18 JAM
16..	539 104763....	3 RETAINER, U TYPE	35..	539 990055....	4 WASHER $\frac{1}{4}$ FLAT SAE
17..	505 280001....	2 TIE w/ CLIP	36..	539 109554....	1 WASHER $\frac{1}{2}$ FLAT
18..	539 107475....	1 BOLT $\frac{5}{16}$ -18 x $\frac{3}{4}$, THD FRM	37..	539 133007....	2 WASHER .825 WAVE
19..	539 110303....	2 BOLT $\frac{5}{16}$ SHOULDER	38..	539 990122....	2 WASHER $\frac{3}{8}$ SAE

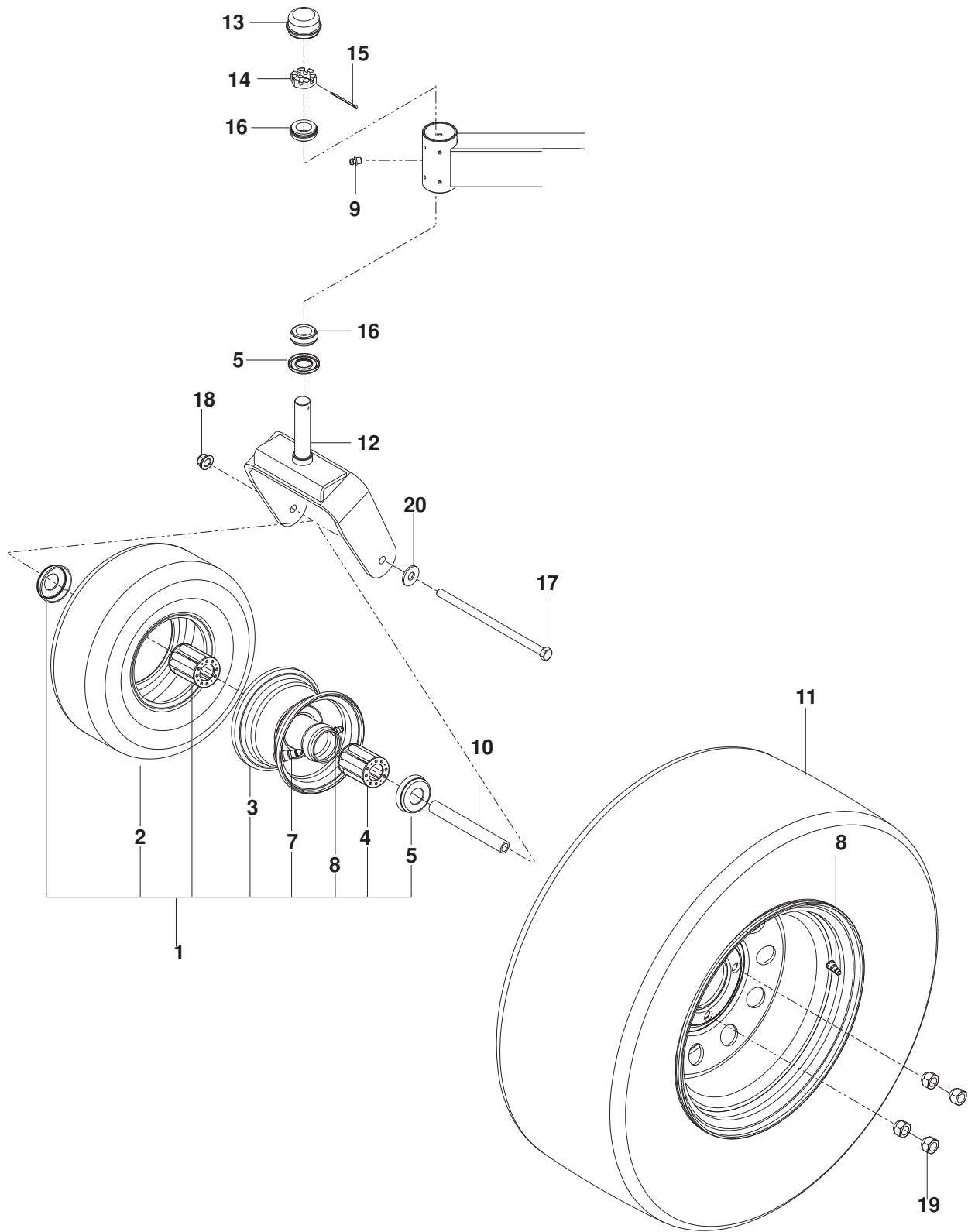
HYDRAULIC PUMP-MOTOR



HYDRAULIC PUMP-MOTOR

ITEM	PART NO.	QTY.	DESCRIPTION	ITEM	PART NO.	QTY.	DESCRIPTION
1..	577 227702....	1 TRANS, ZT-3100, LT	14..	574 233801....	4 HHFS $\frac{5}{16}$ -18 x 2 $\frac{1}{4}$
2..	577 227701....	1 TRANS, ZT-3100, RT	15..	539 990643....	4 HCS $\frac{1}{4}$ -20 x $\frac{7}{8}$
3..	539 113466....	2 FILTER, HYDRO	16..	539 108551....	2 HCS $\frac{3}{8}$ -16 x 2 $\frac{1}{2}$ GR8
4..	575 017102....	1 BRACKET, TRANS, LT	17..	539 101721....	4 HCS $\frac{5}{16}$ -18 x 2 $\frac{3}{4}$
5..	575 017002....	1 BRACKET, TRANS, RT	18..	539 990209....	4 HCS $\frac{5}{16}$ -18 x 1
6..	539 131616....	1 LINKAGE, LT BYPASS	19..	539 112899....	8 NUT $\frac{5}{16}$ -18 HEX FLG NYLOC
7..	539 131618....	1 LINKAGE, RT BYPASS	20..	539 976978....	4 NUT $\frac{1}{4}$ -20 HEX NYLOC
8..	575 778202....	2 COVER, FAN	21..	539 990118....	2 WASHER $\frac{3}{8}$ SPLT LK
9..	574 868501....	1 TUBE, SPACER	22..	539 990187....	4 WASHER $\frac{5}{16}$ SLW
10..	539 976988....	2 HAIRPIN COTTER	23..	539 990188....	8 WASHER $\frac{5}{16}$ SAE FLAT
11..	574 892101....	2 HOSE, EXPANSION	24..	539 990055....	4 WASHER $\frac{1}{4}$ FLAT SAE
12..	574 811301....	2 TANK, EXPANSION	25..	539 990122....	2 WASHER $\frac{3}{8}$ SAE FLT
13..	539 102587....	2 BUMPER				

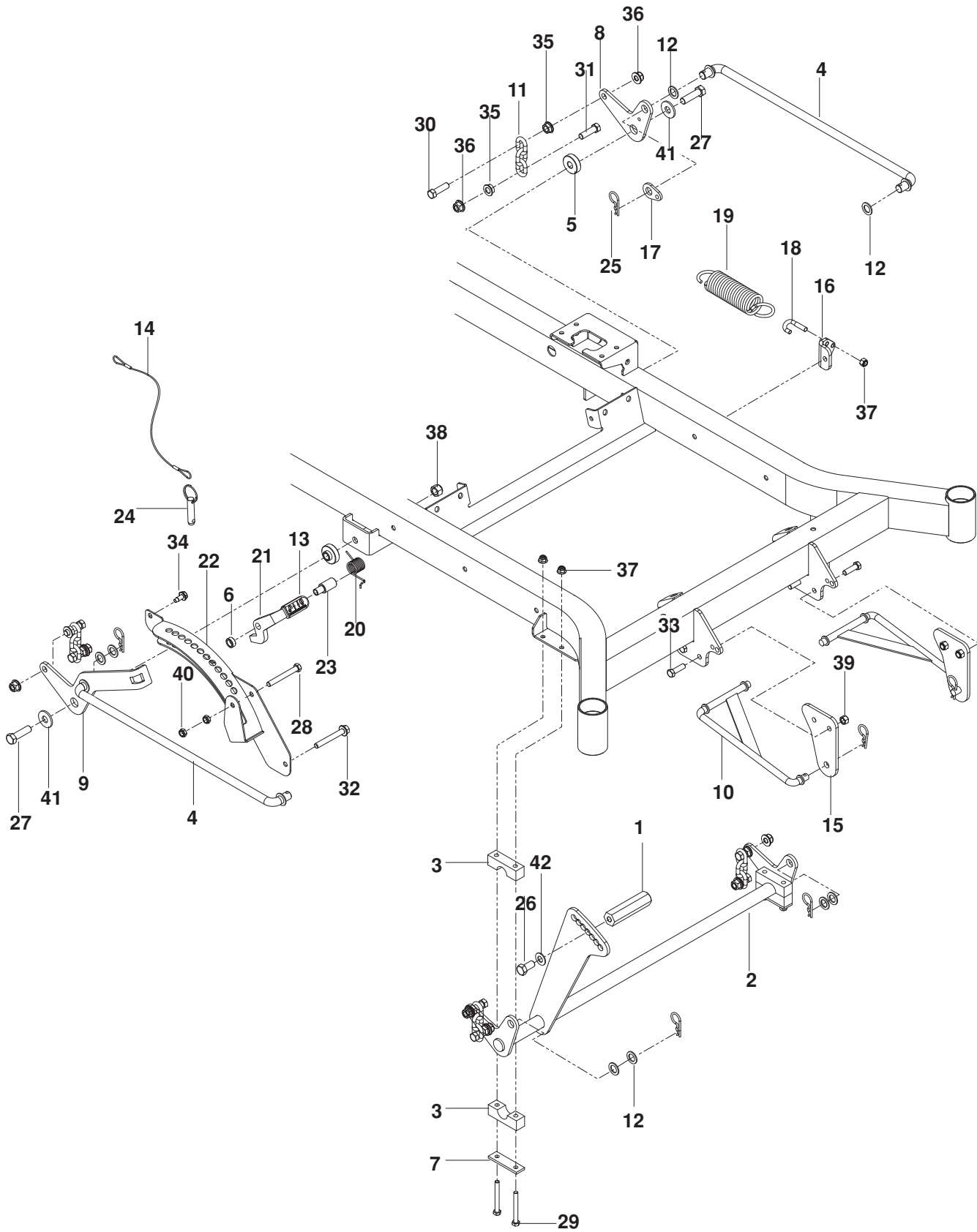
WHEELS



WHEELS

ITEM	PART NO.	QTY.	DESCRIPTION	ITEM	PART NO.	QTY.	DESCRIPTION
1..	539 104572....	2 WHEEL ASSY 13 x 6.5	11..	516 056501....	2 WHEEL ASSY, 22 x 9.5-12
2..	539 102546....	2 TIRE, 13 x 5-6	12..	539 104571....	2 YOKE, CASTER, ORG
3..	539 104573....	2 RIM, CASTER TIRE	13..	539 102535....	2 CAP, GREASE
4..	539 102485....	4 BEARING 2½ CAGE	14..	539 102852....	2 SLOTTED JAM NUT 1"-14
5..	539 102484....	4 BEARING, FLANGED	15..	539 102889....	2 COTTER PIN 1/8 x 2
6..	539 102543....	4 BEARING	16..	539 102851....	2 SEAL
7..	539 912234....	2 AIR VALVE	17..	539 102855....	2 HCS ½-13 x 7½
8..	539 976977....	2 ZERK	18..	521 991101 ...	2 NUT ½-13 HEX FLG NYLOC
9..	539 101474....	2 ZERK	19..	539 101173....	8 NUT ½-20 LUG
10..	539 102856....	2 SPACER, PIVOT	20..	539 109554....	2 WASHER ½ FLAT

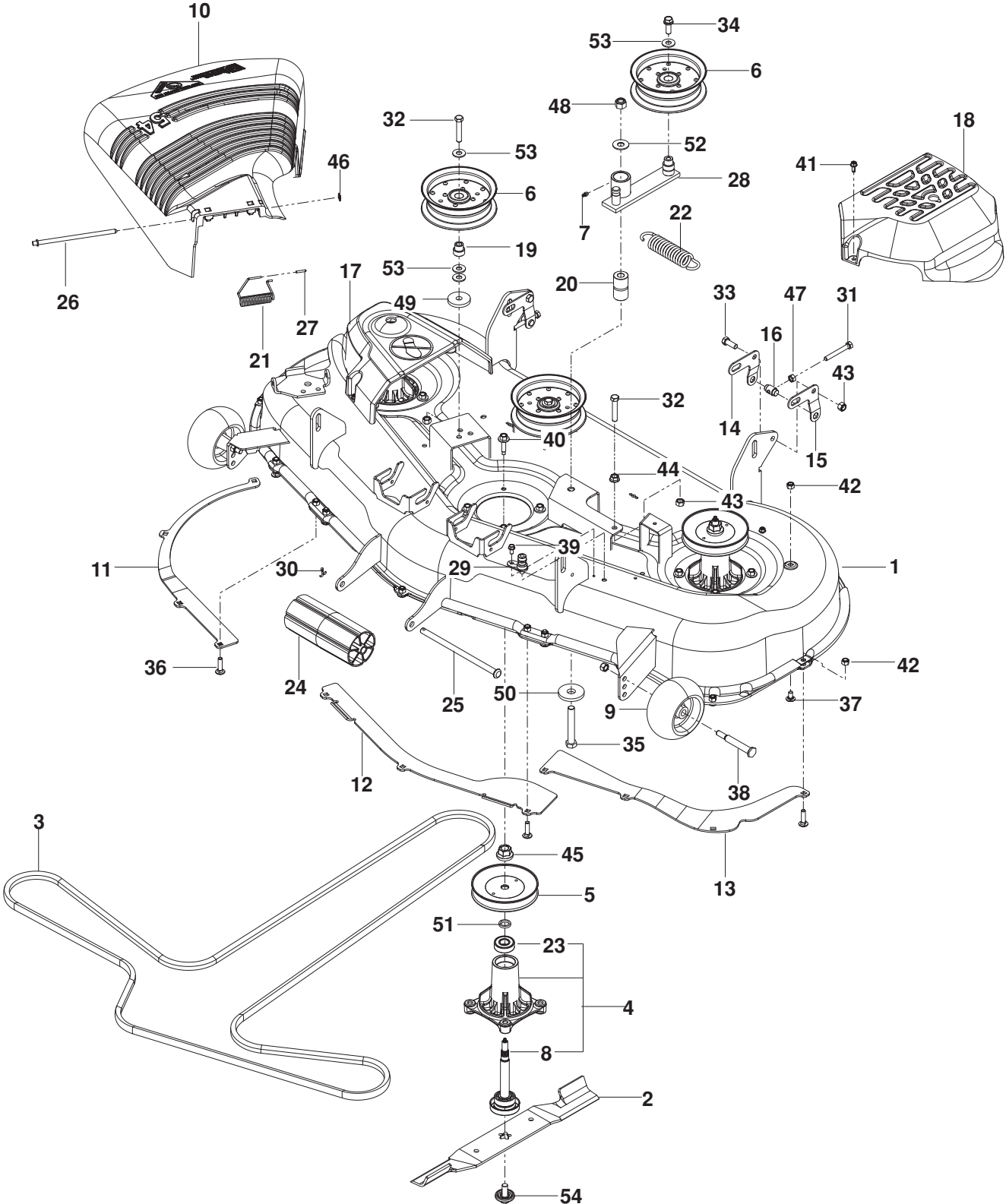
MOWER LIFT / DECK LIFT



MOWER LIFT / DECK LIFT

ITEM	PART NO.	QTY.	DESCRIPTION	ITEM	PART NO.	QTY.	DESCRIPTION
1..	539 131556....	1	PEDAL, FOOT	22..	539 131850....	1	HEIGHT ADJUST, DECK
2..	539 131509....	1	SHAFT, FRONT-LIFT	23..	539 131860....	1	PIVOT LATCH, TRANSPORT
3..	539 104808....	4	PILLOW BLOCK	24..	539 132182....	1	PIN ½ x 1½ DETENT RING
4..	539 110808....	2	LINK, DECK LIFT	25..	539 115501....	6	PIN, COTTER 1¾
5..	539 118937....	2	SPACER, IDLER	26..	539 990646....	1	HCS ½-13 x 1¾
6..	539 131861....	1	SPACER	27..	539 108181....	2	HCS ½-13 x 1¾ GR 8
7..	539 104807....	2	REINFORCEMENT BAR	28..	539 101341....	1	HCS ¾-16 x 3
8..	539 131897....	1	BELLCRANK, RR	29..	539 101721....	4	HCS 5/16-18 x 2¾
9..	539 131853....	1	BELLCRANK, RR RT	30..	539 101175....	4	HCS 7/16-14 x 1½
10..	539 112223....	2	LINKAGE, STRUT	31..	539 108073....	4	HCS 7/16-14 x 1¾
11..	539 109693....	4	LIFT CHAIN-3 LINK	32..	539 131781....	1	HHFS ¾-16 x 2¾
12..	539 991043....	10	BUSHING .625	33..	539 976941....	4	BOLT 5/16-18 x 1 THD FM
13..	539 132851....	1	GRIP	34..	539 107475....	1	BOLT 5/16-18 x ¾ THD FRM
14..	539 105059....	1	LANYARD	35..	539 102582....	8	NUT 7/16-14 HEX WHIZ LK
15..	539 132017....	2	MOUNT, STRUT	36..	539 132019....	8	NUT 7/16-14 HEX WHIZ LK
16..	539 131791....	1	MOUNT, SPRING	37..	539 112899....	5	NUT 5/16-18 HEX FLG NYLOC
17..	539 131792....	1	TAB, SPRING	38..	539 101331....	2	NUT ½ HEX NYLOC
18..	539 112896....	1	J-BOLT	39..	539 976979....	4	NUT ¾-16 HEX NYLOC
19..	539 102642....	1	SPRING	40..	539 200282....	2	NUT ¾-16 HEX JAM NYLOC
20..	539 132734....	1	SPRING, TORSION	41..	539 109554....	2	WASHER ½ FLAT
21..	539 131566....	1	LATCH, TRANSPORT	42..	539 102843....	1	WASHER 7/16" SPRING

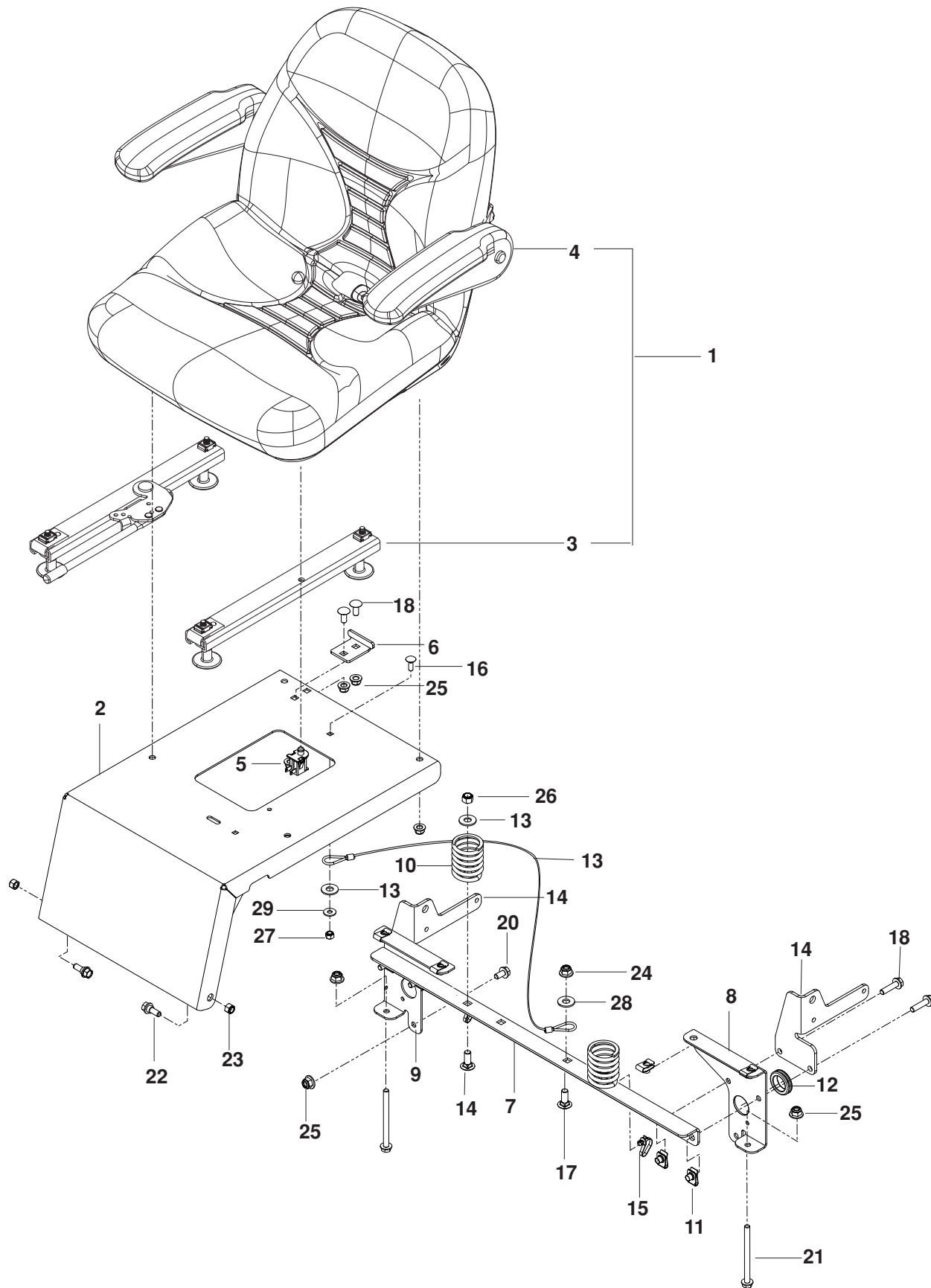
MOWER DECK / CUTTING DECK



MOWER DECK / CUTTING DECK

ITEM	PART NO.	QTY.	DESCRIPTION	ITEM	PART NO.	QTY.	DESCRIPTION
1..	577 200203....	1 DECK w/ SFTY DECALS ORG	28..	539 112198....	1 ARM, IDLER
2..	532 187256....	3 BLADE, 54"	29..	532 415598....	1 PORT, WASHOUT
3..	577 503601....	1 BELT	30..	539 990365....	1 PIN 1/8 x 3/4 COTTER
4..	539 112057....	3 MANDREL ASSY	31..	577 923201....	2 HCS 5/16-18 x 3 TPBLT
5..	539 112171....	3 PULLEY	32..	539 990588....	3 HCS 3/8-16 x 2
6..	539 132728....	3 PULLEY, IDLER	33..	539 990563....	2 HCS 3/8-16 x 1
7..	539 976998....	1 ZERK	34..	539 990582....	1 HCS 3/8-16 x 1 WHIZLK
8..	539 112056....	1 SHAFT, MANDREL	35..	539 103433....	1 HCS 1/2-13 x 3 1/4
9..	539 107610....	2 WHEEL	36..	539 100472....	7 RHSNB 5/16-18 x 1 1/4
10..	539 112054....	1 DEFLECTOR	37..	539 990799....	5 RHSNB 5/16-18 x 5/8
11..	539 112059....	1 BAFFLE, RT	38..	539 107608....	2 BOLT, SHOULDER
12..	539 112062....	1 BAFFLE, CNTR	39..	539 108461....	1 BOLT 1/4-20 x 1/2 HWST
13..	539 112060....	1 BAFFLE, LT	40..	539 107630..	12 SCREW, WASHER HEAD
14..	539 131857....	2 PITCH, ADJUST, RT	41..	539 107631....	4 SCREW 1/4 -20 x 5/16 THDROLL
15..	539 131858....	2 PITCH, ADJUST, LT	42..	539 990717..	12 NUT 5/16-18 HEX NYLOC
16..	539 131859....	2 TRUNION, PITCH	43..	539 976979....	7 NUT 3/8-16 HEX NYLOC
17..	532 188187....	1 COVER, MANDREL RT	44..	539 990613....	1 NUT 3/8-16 HEX WHIZLK
18..	532 187297....	1 COVER, MANDREL LT	45..	539 107590....	3 NUT 9/16 TOP CENTER LOCK
19..	539 112076....	2 BUSHING, IDLER	46..	539 107626....	1 PUSHNUT
20..	539 103427....	1 BUSHING, PIVOT	47..	539 990196....	4 NUT 5/16-18 HEX
21..	539 107609....	1 SPRING, TORSION	48..	539 101331....	1 NUT 1/2 HEX NYLOC
22..	539 103256....	1 SPRING	49..	539 106504....	2 WASHER, HEAVY
23..	539 112050....	1 BEARING, BALL	50..	539 102243....	1 WASHER, SUPPORT
24..	532 176066....	1 ROLLER, NOSE	51..	539 107520....	3 WASHER, SPACER
25..	539 107613....	1 ROD, ROLLER	52..	539 990550....	1 WASHER 1/2 STD FLT
26..	539 110462....	1 ROD, HINGE	53..	539 990517....	7 WASHER 3/8 FLAT STD
27..	539 107627....	1 CAP, SLEEVE	54..	532 193003....	3 WASHER/BOLT ASSY

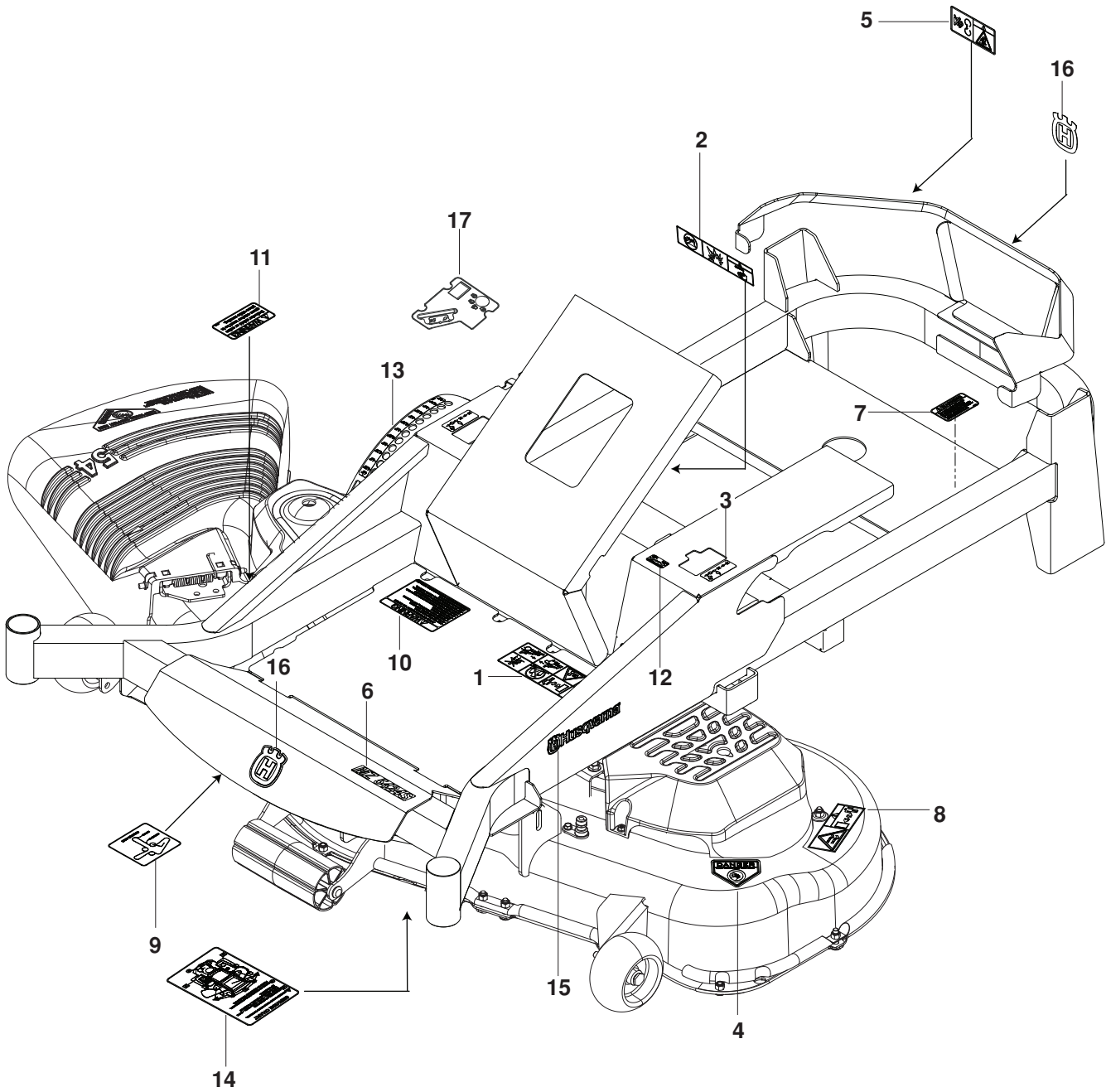
SEAT



SEAT

ITEM	PART NO.	QTY.	DESCRIPTION	ITEM	PART NO.	QTY.	DESCRIPTION
1..	539 130873....	1 SEAT ASSY	15..	505 280001....	2 TIE WRAP w/ CLIP
2..	575 608601....	1 MOUNT, SEAT w/ DECAL	16..	539 990074....	1 RHSNB 1/4-40 x 3/4
3..	539 112037....	1 RAIL SET, SEAT	17..	539 990645....	3 RHSNB 3/8-16 x 1
4..	539 112036....	1 ARM REST, LT	18..	539 109100....	2 RHSNB 5/16-18 x 3/4
	539 112035....	1 ARM REST, RT	19..	525 544001....	4 HHFS 5/16-18 x 1 1/4 TPBLT
5..	539 119741....	1 SWITCH, SEAT	20..	525 464701....	2 HHFS 5/16-18 x 3/4
6..	539 130793....	1 DECK STOP	21..	539 131780....	2 HHFS 5/16-18 x 3 3/4
7..	539 131656....	1 SUPPORT, SEAT	22..	539 130896....	2 BOLT 5/16-18 SHOULDER
8..	575 224102....	1 SUPPORT, LT	23..	539 990717....	2 NUT 5/16-18 HEX NYLOC
9..	575 224002....	1 SUPPORT, RT	24..	521 996501....	1 NUT 3/8-16 HEX FLG NYLOC
10..	539 110300....	2 SPRING, SEAT	25..	539 112899..	10 NUT 5/16-18 HEX FLG NYLOC
11..	539 104763....	8 RETAINER, U TYPE	26..	539 976979....	2 NUT 3/8-16 HEX NYLOC
12..	539 105974....	1 GROMMET RUBBER	27..	539 976978....	1 NUT 1/4-20 HEX NYLOC
13..	539 103247....	1 LANYARD, SEAT	28..	539 990517....	4 WASHER 3/8 FLAT STD
14..	575 017402....	2 MOUNT, SEAT BELT	29..	539 990598....	1 WASHER 1/4 FLAT

DECALS



DECALS

ITEM	PART NO.	QTY.	DESCRIPTION	ITEM	PART NO.	QTY.	DESCRIPTION
1..	539 107959	...1	...DECAL, WARNING	10..	539 113213	...1	...DECAL, WARNING
2..	539 105745	...1	...DECAL, BATTERY WARNING	11..	539 113224	...1	...DECAL, WARNING
3..	539 103333	...2	...DECAL, MOTION CONTROL	12..	539 110974	...2	...DECAL, TRACKING
4..	539 913010	...1	...DECAL, BLADE WARNING	13..	539 132039	...1	...DECAL, HEIGHT ADJUST
5..	539 105744	...1	...DECAL, DANGER BLT DRIVE	14..	539 132187	...1	...DECAL, SERVICE
6..	521 9880061DECAL, MZ5425S	15..	532 429196	...2DECAL, HUSQVARNA
7..	539 101881	...1	...DECAL, EXHAUST WARN	16..	532 428676	...2DECAL, CROWN H
8..	539 105746	...1	...DECAL, SEVERING	17..	574 8411031DECAL, CONTROL
9..	539 112620	...1	...DECAL, BELT ROUTING				