

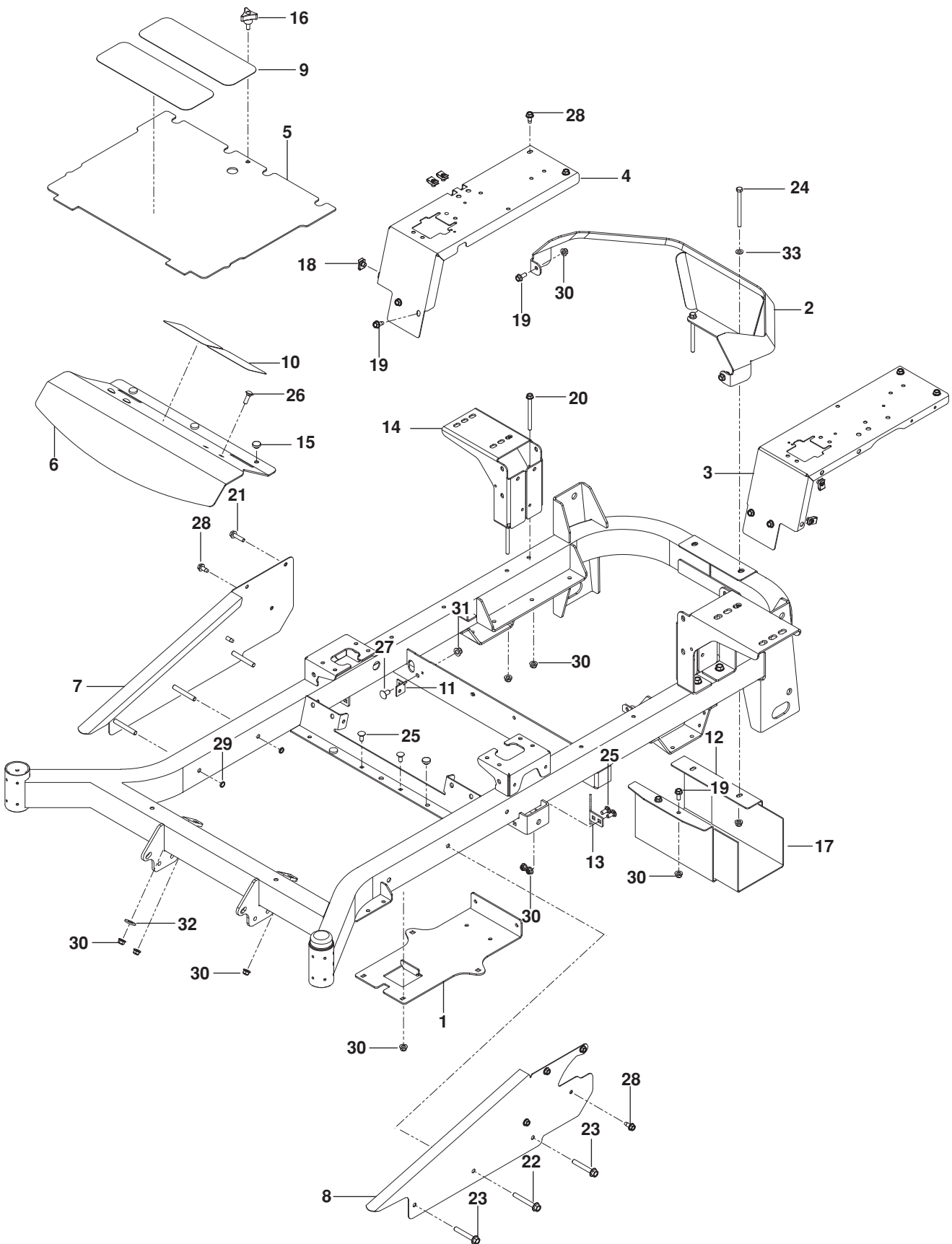
Gasoline containing up to 10% ethanol (E10) is acceptable for use in this machine. The use of any gasoline exceeding 10% ethanol (E10) will void the product warranty.

## **Parts Manual** **MZ5424SR CA / 967003904**



Please read the operator's manual carefully and make sure you understand the instructions before using the machine.

# FRAME

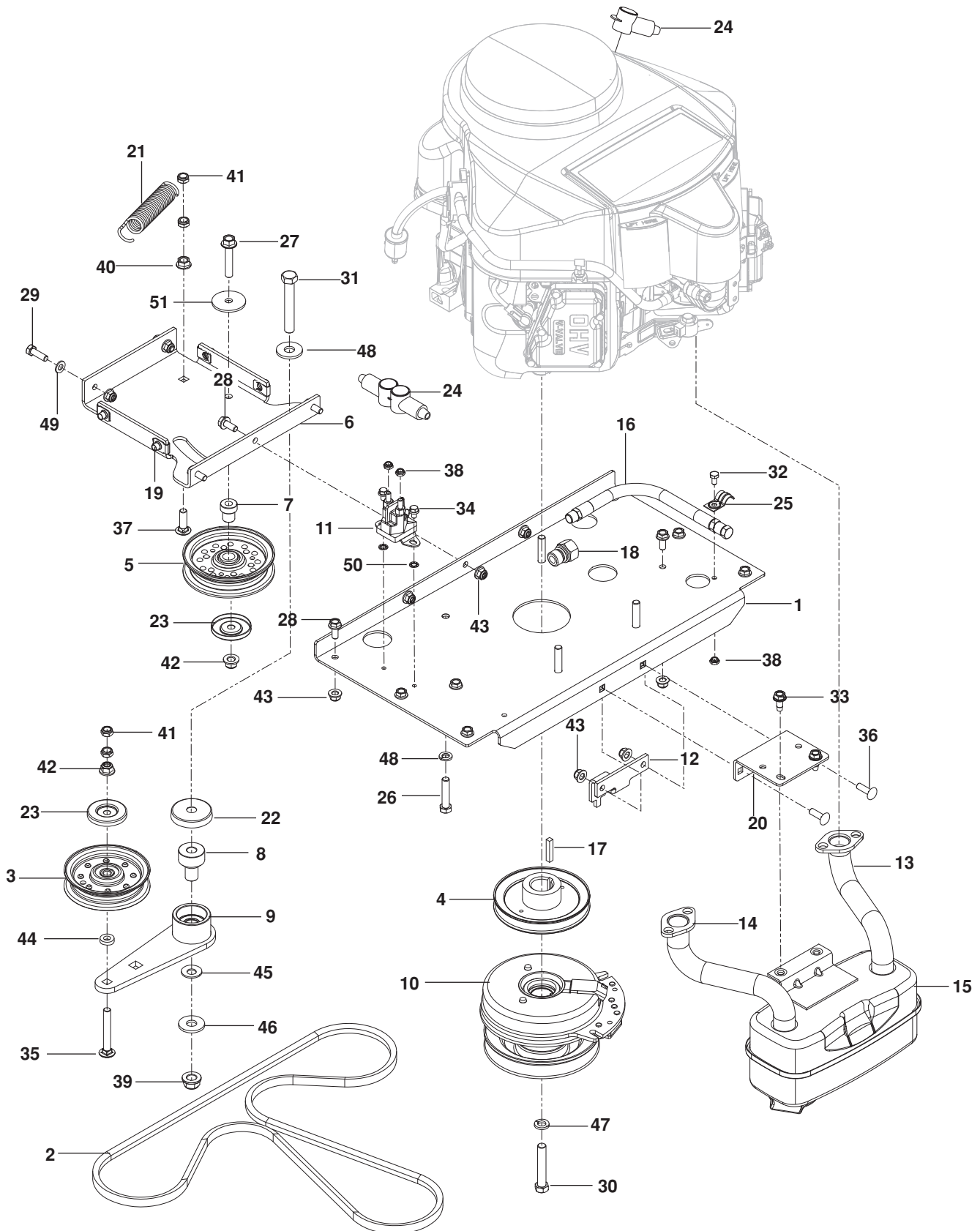


# FRAME

---

ITEM	PART NO.	QTY.	DESCRIPTION	ITEM	PART NO.	QTY.	DESCRIPTION
1..	575 017202....	1	.... PLATE, BATTERY, BLK	18..	539 104763....	8	.... RETAINER, U TYPE <sup>5</sup> / <sub>16</sub> -18
2..	575 348402....	1	.... GUARD, REAR GRY	19..	525 464701....	5	.... HHFS <sup>5</sup> / <sub>16</sub> -18 x <sup>3</sup> / <sub>4</sub>
3..	577 256802....	1	.... PANEL, LT ORG	20..	539 131780....	4	.... HHFS <sup>5</sup> / <sub>16</sub> -18 x 3 <sup>3</sup> / <sub>4</sub>
4..	577 256902....	1	.... PANEL, RT ORG	21..	525 544001....	1	.... HHFS <sup>5</sup> / <sub>16</sub> -18 x 1 <sup>1</sup> / <sub>4</sub> TPBLT
5..	539 132744....	1	.... PLATE w/ SAFTY DECAL ORG	22..	539 131781....	2	.... HHFS <sup>3</sup> / <sub>8</sub> -16 x 2 <sup>3</sup> / <sub>4</sub>
6..	539 132380....	1	.... PLATE, FOOTREST ORG	23..	539 133006....	4	.... HHFS <sup>3</sup> / <sub>8</sub> -16 x 2 <sup>1</sup> / <sub>2</sub>
7..	539 131579....	1	.... SIDE, RT ORG	24..	539 102335....	2	.... HCS <sup>5</sup> / <sub>16</sub> -18 x 4
8..	539 131577....	1	.... SIDE, LT ORG	25..	539 990316....	6	.... RHSNB <sup>5</sup> / <sub>16</sub> -18 x <sup>3</sup> / <sub>4</sub>
9..	539 977778....	2	.... PAD, ABRASIVE LG	26..	539 990208....	3	.... RHSNB <sup>5</sup> / <sub>16</sub> -18 x 1
10..	539 121322....	2	.... PAD, ABRASIVE SM	27..	539 109117....	2	.... RHSNB <sup>3</sup> / <sub>8</sub> -16 x <sup>3</sup> / <sub>4</sub>
11..	575 245202....	2	.... BRACKET, DAMPENER	28..	539 107475..	12	.... BOLT <sup>5</sup> / <sub>16</sub> -18 x <sup>3</sup> / <sub>4</sub> THD FRM
12..	575 230402....	1	.... SHIELD, MUFFLER BLK	29..	539 200282....	6	.... NUT <sup>3</sup> / <sub>8</sub> -16 HEX JAM NYLOC
13..	505 256401....	2	.... STOP, DECK	30..	539 112899....	6	.... NUT <sup>5</sup> / <sub>16</sub> -18 HEX FLG NYLOC
14..	575 533602....	2	.... MOUNT, TANK BLK	31..	521 996501....	2	.... NUT <sup>3</sup> / <sub>8</sub> -16 HEX FLG NYLOC
15..	539 102587....	5	.... BUMPER	32..	539 990250....	1	.... WASHER
16..	539 104411....	1	.... KNOB w/ STUD	33..	539 990188....	2	.... WASHER <sup>5</sup> / <sub>16</sub> SAE FLAT
17..	539 132859....	1	.... SHIELD, HEAT				

# ENGINE PLATE

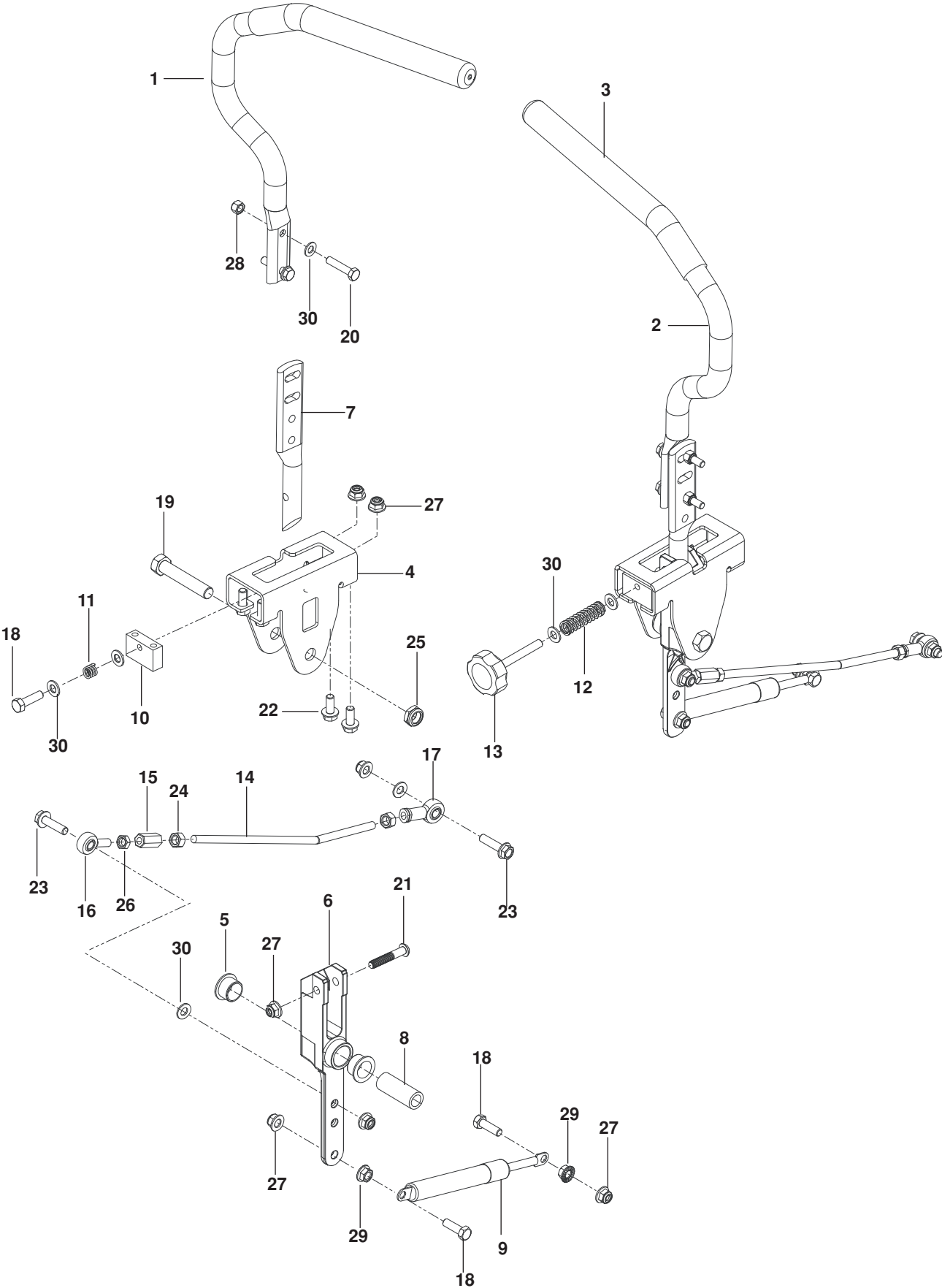


# ENGINE PLATE

---

ITEM	PART NO.	QTY.	DESCRIPTION	ITEM	PART NO.	QTY.	DESCRIPTION
1..	575 608801....	1	.... PLATE, ENGINE w/ DECAL	28..	874 490512..	11	.... HHFS $\frac{5}{16}$ -18 x $\frac{3}{4}$
2..	574 870901....	1	.... BELT	29..	539 990209....	2	.... HCS $\frac{5}{16}$ -18 x 1
3..	532 175820....	1	.... PULLEY, IDLER SECONDARY	30..	581 332802....	1	.... HCS $\frac{7}{16}$ -20 x 2
4..	574 811001....	1	.... PULLEY, V $1\frac{1}{8}$ BORE	31..	539 103433....	1	.... HCS $\frac{1}{2}$ -13 x $3\frac{1}{4}$
5..	539 976688....	1	.... PULLEY, IDLER	32..	539 990071....	1	.... HCS $\frac{1}{4}$ -20 x $\frac{1}{2}$
6..	574 846402....	1	.... PLATE, IDLER SUPPORT	33..	539 107475....	2	.... BOLT $\frac{5}{16}$ -18 x $\frac{3}{4}$ THD FRM
7..	525 435601....	1	.... PIVOT, IDLER	34..	539 990302....	2	.... SCREW $\frac{1}{4}$ -20 x 8 THD FRM
8..	510 206301....	1	.... PIVOT, BEARING	35..	539 130235....	1	.... RHSNB $\frac{3}{8}$ -16 x $2\frac{3}{4}$
9..	510 041603....	1	.... ARM, IDLER w/ BEARINGS	36..	539 107271....	2	.... RHSNB $\frac{5}{16}$ -18 x 1
10..	574 607001....	1	.... CLUTCH, 200 FT-LB	37..	539 100413....	1	.... RHSNB $\frac{3}{8}$ -16 x $1\frac{1}{4}$
11..	539 101714....	1	.... SOLENOID	38..	539 108120....	3	.... NUT $\frac{1}{4}$ -20 HEX THIN NYLOC
12..	575 017302....	1	.... STOP, CLUTCH	39..	521 991101....	1	.... NUT $\frac{1}{2}$ -13 HEX FLG NYLOC
13..	532 424765....	1	.... EXHAUST TUBE, RT	40..	539 990613....	1	.... NUT $\frac{3}{8}$ -16 HEX WHIZLK
14..	532 424766....	1	.... EXHAUST TUBE, LT	41..	539 200282....	4	.... NUT $\frac{3}{8}$ -16 HEX JAM NYLOC
15..	539 131604....	1	.... MUFFLER ASM TWIN	42..	521 996501....	2	.... NUT $\frac{3}{8}$ -16 HEX FLG NYLOC
16..	584 825501....	1	.... HOSE, DRAIN	43..	539 112899..	15	.... NUT $\frac{5}{16}$ -18 HEX FLG NYLOC
17..	539 912757....	1	.... KEY $\frac{1}{4}$ SQ x $1\frac{1}{4}$	44..	539 109562....	1	.... WASHER $\frac{3}{8}$ x $\frac{3}{4}$
18..	522 599001....	1	.... ADAPTER	45..	539 115528....	1	.... WASHER $\frac{1}{2}$ " BELLEVILLE
19..	539 104763....	4	.... RETAINER, U TYPE	46..	539 109554....	2	.... WASHER $\frac{1}{2}$ FLAT ZD
20..	575 229902....	1	.... BRACKET, MUFFLER, BLK	47..	539 990247....	1	.... WASHER $\frac{7}{16}$ SLW
21..	510 254401....	1	.... SPRING, PUMP	48..	539 990118....	1	.... WASHER $\frac{3}{8}$ SPLT LK
22..	539 114662....	1	.... SHIELD, DUST	49..	539 990188....	2	.... WASHER $\frac{5}{16}$ SAE FLAT
23..	510 254501....	2	.... SHIELD, DUST	50..	539 990053....	2	.... WASHER $\frac{1}{4}$ INT TOOTH LK
24..	539 102759....	3	.... INSULATOR	51..	539 111897....	1	.... WASHER, SPECIAL
25..	539 101363....	1	.... CLAMP	NOT SHOWN			
26..	539 976949....	4	.... HCS $\frac{3}{8}$ -16 x $1\frac{3}{4}$	575 018301 ... 1 .... PIGTAIL			
27..	874 490632....	1	.... HHFS $\frac{3}{8}$ -16 x 2				

# STEERING

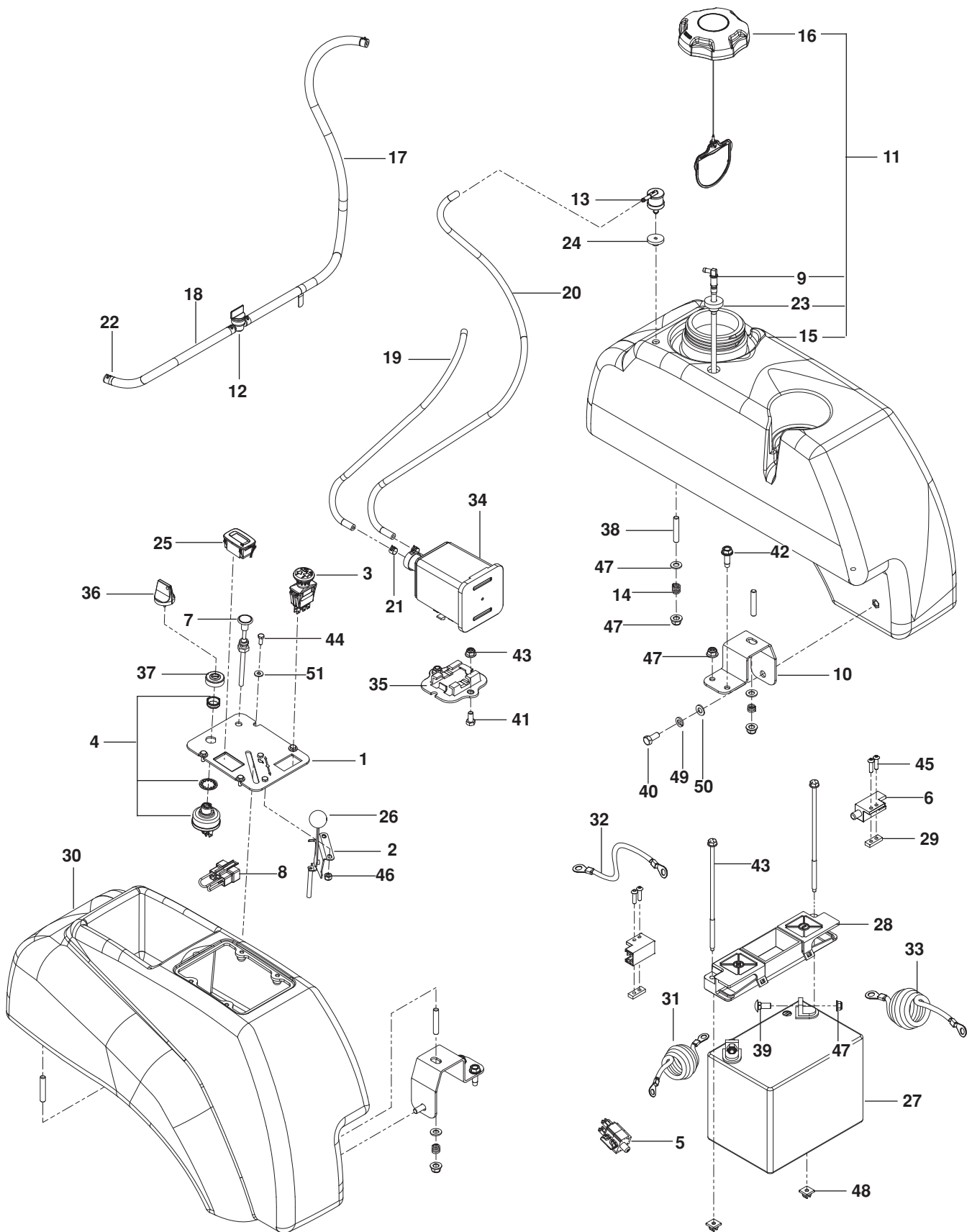


# STEERING

---

ITEM	PART NO.	QTY.	DESCRIPTION	ITEM	PART NO.	QTY.	DESCRIPTION
1..	539 132009....	1	.... LEVER w/ GRIP RT	16..	539 116690....	2	.... ROD END LT
2..	539 132010....	1	.... LEVER w/ GRIP LT	17..	539 115729....	2	.... ROD END RT
3..	539 130894....	2	.... GRIP, FOAM	18..	539 990627....	5	.... HCS $\frac{5}{16}$ -18 x $1\frac{1}{4}$
4..	577 251701....	2	.... BRACKET, CONTROL	19..	539 101332....	2	.... HCS $\frac{1}{2}$ -13 x $2\frac{3}{4}$
5..	539 131518....	4	.... BEARING, FLANGE	20..	539 976935....	4	.... HCS $\frac{5}{16}$ -18 x $1\frac{1}{2}$
6..	576 140301....	2	.... LEVER, CONTROL	21..	576 850402....	2	.... SCREW $\frac{5}{16}$ -18 X $1\frac{3}{4}$ BTN HD
7..	577 420001....	2	.... LEVER, HANDLE	22..	525 464701....	8	.... HHFS $\frac{5}{16}$ -18 X $\frac{3}{4}$
8..	577 252401....	2	.... SPACER, PIVOT CONTROL	23..	525 544001....	4	.... HHFS $\frac{5}{16}$ -18 x $1\frac{1}{4}$ TPBLT
9..	539 102720....	2	.... DAMPENER	24..	539 990223....	4	.... NUT $\frac{5}{16}$ -24 HEX
10..	581 437501....	2	.... BLOCK, TRACKING	25..	539 108010....	2	.... NUT $\frac{1}{2}$ -13 HEX JAM NYL GR2
11..	539 102845....	1	.... SPRING	26..	539 991073....	2	.... NUT $\frac{5}{16}$ -24 HEX JAM LH
12..	576 850301....	1	.... SPRING	27..	539 112899..	10	.... NUT $\frac{5}{16}$ -18 HEX FLG NYLOC
13..	539 131799....	1	.... KNOB	28..	539 990717....	6	.... NUT $\frac{5}{16}$ -18 HEX NYLOC
14..	574 811401....	2	.... ROD, MOTION CONTROL	29..	539 990585....	4	.... NUT $\frac{5}{16}$ -18 HEX WHIZLK
15..	539 116689....	2	.... COUPLER, ROD END	30..	539 990188..	12	.... WASHER $\frac{5}{16}$ SAE FLT

# IGNITION



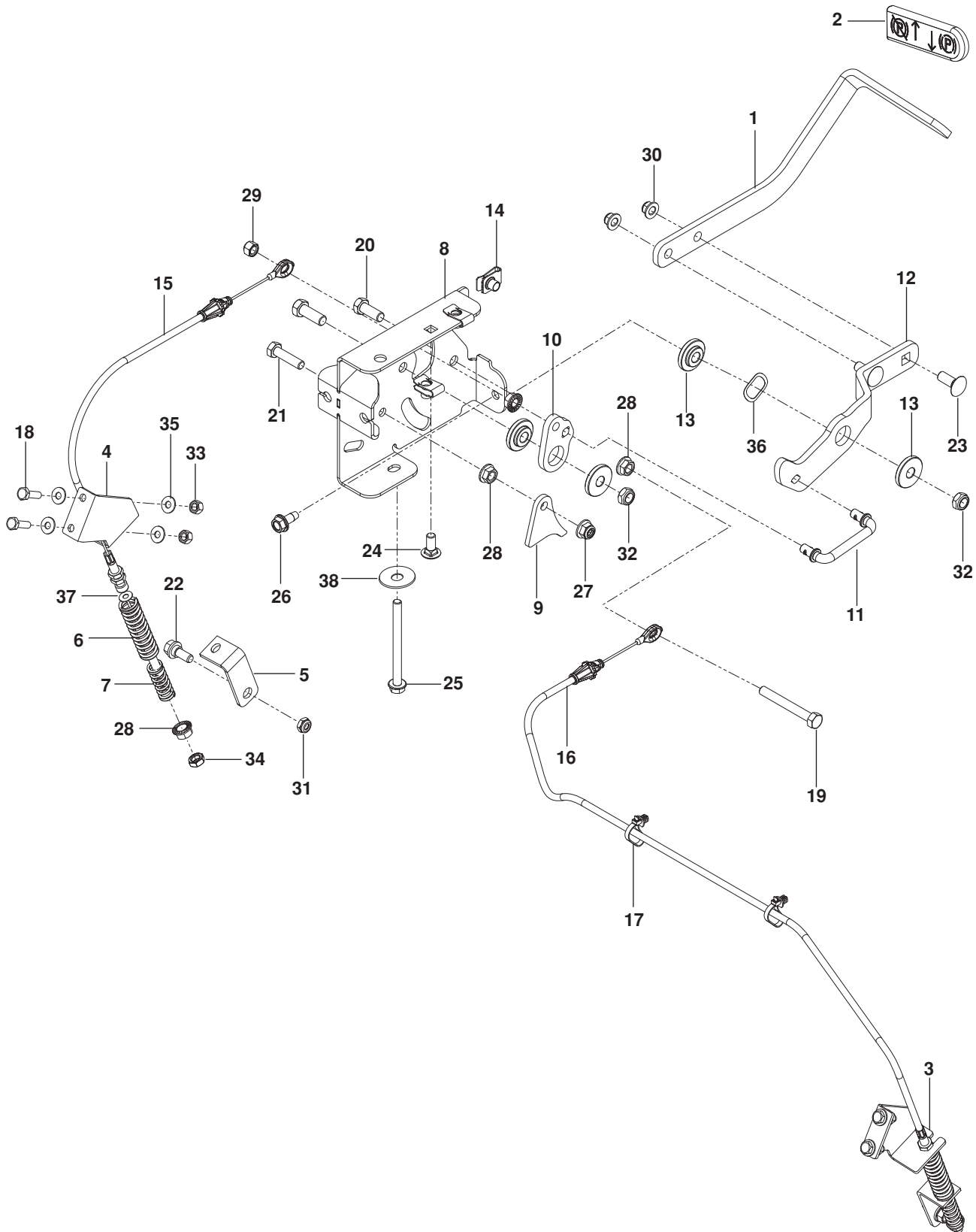


# IGNITION

---

ITEM	PART NO.	QTY.	DESCRIPTION	ITEM	PART NO.	QTY.	DESCRIPTION
1..	574 841204....	1	.... PLATE, CONSOLE, BLK	28..	539 107628....	1	.... BATTERY HOLD DOWN
2..	539 112438....	1	.... CABLE, THROTTLE	29..	539 102678....	2	.... PLATE, TAPPED
3..	539 131627....	1	.... SWITCH, PTO 10 AMP	30..	539 107593....	1	.... CONSOLE, RT
4..	574 455401....	1	.... SWITCH, IGNITION	31..	539 104974....	1	.... CABLE, POSITIVE 31"
5..	539 113792....	1	.... SWITCH, BRAKE	32..	539 102757....	1	.... CABLE, POSITIVE 8"
6..	532 109553....	2	.... SWITCH, INTERLOCK	33..	539 107645....	1	.... CABLE, NEGATIVE 32"
7..	539 112439....	1	.... CHOKE CONTROL	34..	532 414114....	1	.... CANISTER, CARBON
8..	575 321001....	1	.... PLUG, TIMER	35..	575 242701....	1	.... BRACKET, CANISTER
9..	576 469201....	1	.... FITTING, FUEL	36..	574 455501....	1	.... KEY, IGNITION
10..	539 131671....	2	.... SUPPORT, TANK, BLK	37..	539 103178....	1	.... CAP, IGNITION SWITCH NUT
11..	576 370102....	1	.... TANK ASSY LT	38..	539 102502....	6	.... STUD <sup>5</sup> / <sub>16</sub> -18
12..	539 916325....	1	.... VALVE, FUEL	39..	539 990316....	2	.... RHSNB <sup>5</sup> / <sub>16</sub> -18 x <sup>3</sup> / <sub>4</sub>
13..	576 618101....	1	.... VALVE, FUEL CHECK	40..	539 976934....	2	.... HCS <sup>5</sup> / <sub>16</sub> -18 x <sup>3</sup> / <sub>4</sub>
14..	539 102845....	6	.... SPRING	41..	539 108392....	2	.... HCS <sup>5</sup> / <sub>16</sub> -18 x <sup>5</sup> / <sub>8</sub>
15..	576 370101....	1	.... TANK, FUEL LT	42..	539 113226....	3	.... BOLT <sup>5</sup> / <sub>16</sub> -18 x 1 THD FRM
16..	575 018101....	1	.... FUEL CAP w/ TETHER	43..	539 107632....	2	.... BOLT <sup>1</sup> / <sub>4</sub> x 7 <sup>1</sup> / <sub>2</sub>
17..	539 107765....	1	.... HOSE, FUEL 26"	44..	539 990411....	6	.... SCREW #10-24 x <sup>1</sup> / <sub>2</sub> SLT
18..	539 932956....	1	.... HOSE, FUEL 10"	45..	574 822701....	4	.... SCREW #10-24 x <sup>3</sup> / <sub>4</sub> SKT HD
19..	576 660601....	1	.... HOSE <sup>3</sup> / <sub>16</sub> VAPOR 39"	46..	539 976977....	2	.... NUT #10-24 NYLOC
20..	576 660609....	1	.... HOSE <sup>3</sup> / <sub>16</sub> VAPOR 27"	47..	539 112899..	14	.... NUT <sup>5</sup> / <sub>16</sub> -18 HEX FLG NYLOC
21..	575 436501....	2	.... CLAMP, HOSE	48..	539 107629....	2	.... NUT <sup>1</sup> / <sub>4</sub> PUSH NYLON
22..	539 912222....	4	.... CLAMP, HOSE	49..	539 990187....	2	.... WASHER <sup>5</sup> / <sub>16</sub> SLW
23..	539 105245....	1	.... GROMMET, RUBBER	50..	539 990188....	8	.... WASHER <sup>5</sup> / <sub>16</sub> SAE
24..	576 618201....	1	.... GROMMET, CHECK VALVE	51..	539 105408....	4	.... WASHER #10
25..	532 401763....	1	.... HOUR METER	NOT SHOWN			
26..	539 133049....	1	.... KNOB	575 320901 ...	1	.... HARNESS, MAIN	
27..	539 102436....	1	.... BATTERY	539 976856 ...	8	.... WIRE TIE	

# PARKING BRAKE

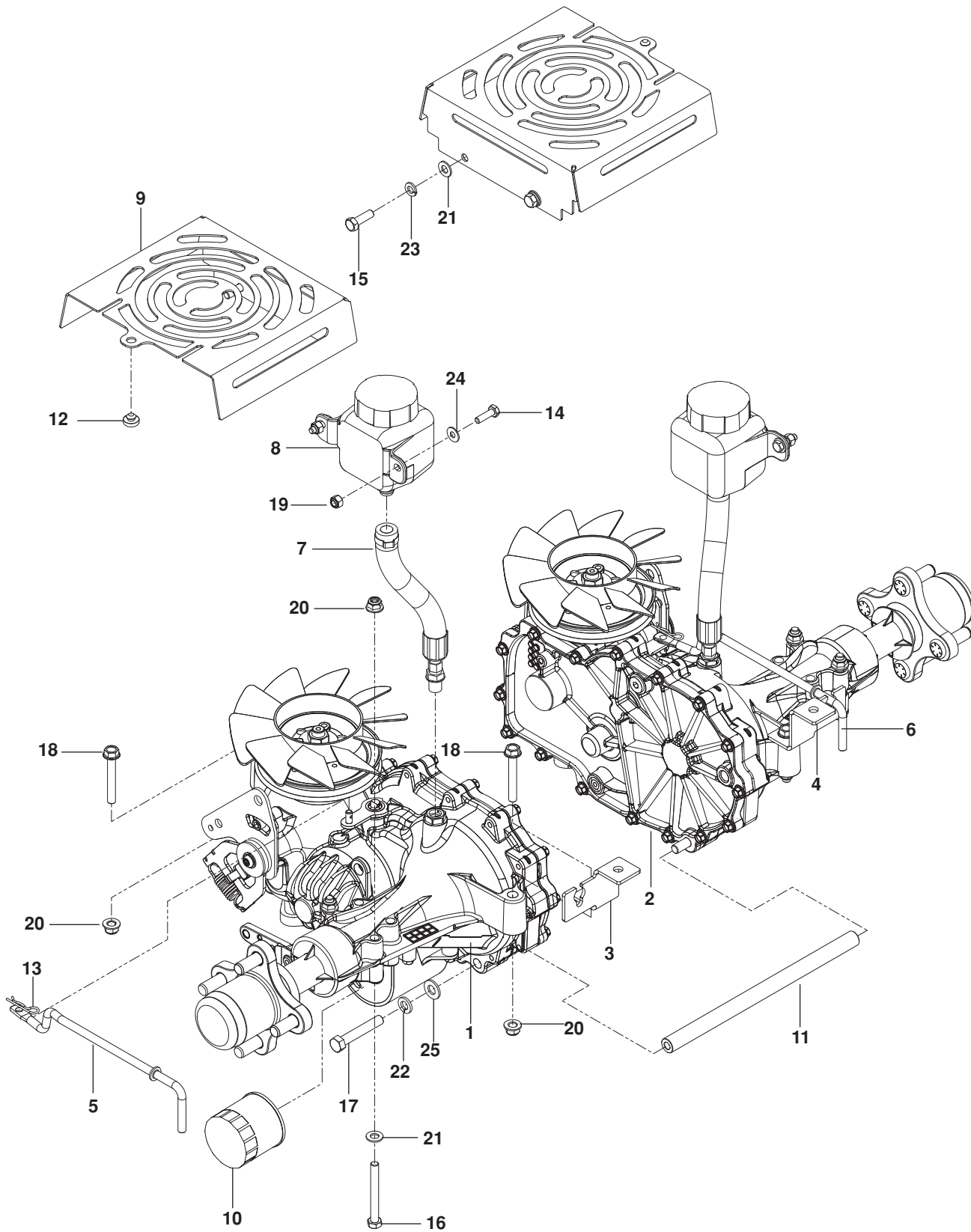


# PARKING BRAKE

---

ITEM	PART NO.	QTY.	DESCRIPTION	ITEM	PART NO.	QTY.	DESCRIPTION
1..	539 132151....	1	ARM, BRAKE	20..	539 990563....	2	HCS $\frac{3}{8}$ -16 x 1
2..	539 105036....	1	GRIP, BRAKE HANDLE	21..	539 990209....	1	HCS $\frac{5}{16}$ -18 x 1
3..	575 229602....	1	BRACKET, RT BLK	22..	539 110303....	2	BOLT $\frac{5}{16}$ SHOULDER
4..	575 229702....	1	BRACKET, LT BLK	23..	539 990645....	2	RHSNB $\frac{3}{8}$ -16 x 1
5..	575 229802....	2	BRACKET, BRAKE	24..	539 990316....	1	RHSNB $\frac{5}{16}$ -18 x $\frac{3}{4}$
6..	575 230201....	2	SPRING, RETURN	25..	539 131780....	1	HHFS $\frac{5}{16}$ -18 x $3\frac{3}{4}$
7..	575 230301....	2	SPRING, ENGAGEMENT	26..	539 107475....	1	BOLT $\frac{5}{16}$ -18 x $\frac{3}{4}$ THD FRM
8..	539 132158....	1	MOUNT, BRAKE	27..	539 112899....	4	NUT $\frac{5}{16}$ -18 HEX FLG NYLOC
9..	539 132154....	1	ACTUATOR, SWITCH	28..	539 990585....	5	NUT $\frac{5}{16}$ -18 HEX WHIZLK
10..	539 132153....	1	BELLCRANK, BRAKE	29..	539 990717....	1	NUT $\frac{5}{16}$ -18 HEX NYLOC
11..	539 132424....	1	LINKAGE, BRAKE	30..	521 996501....	2	NUT $\frac{3}{8}$ -16 HEX FLG NYLOC
12..	539 132423....	1	LEVER, BRAKE	31..	539 115617....	2	NUT $\frac{5}{16}$ HEX NYLOC
13..	539 132161....	4	BUSHING, BRAKE	32..	539 200282....	2	NUT $\frac{3}{8}$ -16 HEX JAM NYLOC
14..	539 104763....	3	RETAINER, U TYPE $\frac{5}{16}$ -18	33..	539 976978....	4	NUT $\frac{1}{4}$ -20 HEX NYLOC
15..	539 132173....	1	CABLE, BRAKE SHORT	34..	539 107897....	2	NUT $\frac{5}{16}$ -18 HEX JAM
16..	539 132174....	2	CABLE, BRAKE LONG	35..	539 990055....	8	WASHER $\frac{1}{4}$ SAE FLT
17..	505 280001....	2	TIE w/ CLIP	36..	539 133007....	1	WASHER .825 WAVE
18..	539 990643....	4	HCS $\frac{1}{4}$ -20 x $\frac{7}{8}$	37..	539 990122....	2	WASHER $\frac{3}{8}$ SAE
19..	539 108396....	1	HCS $\frac{5}{16}$ -18 x $2\frac{1}{2}$ TPBLT	38..	539 109554....	1	WASHER $\frac{1}{2}$ FLAT

# HYDRAULIC PUMP-MOTOR

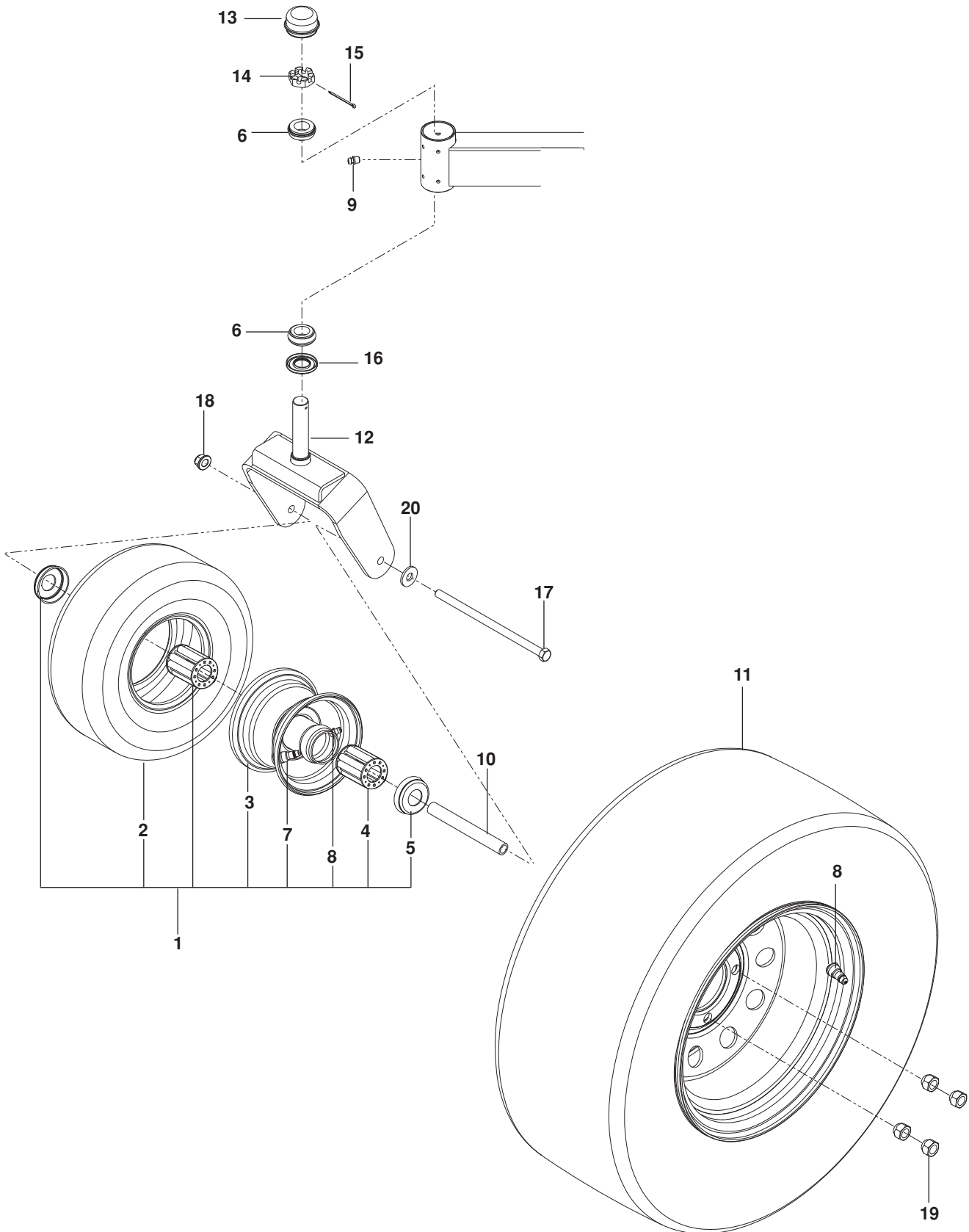


# HYDRAULIC PUMP-MOTOR

---

ITEM	PART NO.	QTY.	DESCRIPTION	ITEM	PART NO.	QTY.	DESCRIPTION
1..	577 227702....	1	.... TRANS, ZT-3100, LT	14..	539 990643....	4	.... HCS 1/4-20 x 7/8
2..	577 227701....	1	.... TRANS, ZT-3100, RT	15..	539 990209....	4	.... HCS 5/16-18 x 1
3..	575 017102....	1	.... BRACKET, TRANS, LT	16..	539 101721....	4	.... HCS 5/16-18 x 2 3/4
4..	575 017002....	1	.... BRACKET, TRANS, RT	17..	539 108551....	2	.... HCS 3/8-16 x 2 1/2 GR8
5..	539 131616....	1	.... LINKAGE, BYPASS LT	18..	574 233801....	4	.... HHFS 5/16-18 x 2 1/4
6..	539 131618....	1	.... LINKAGE, BYPASS RT	19..	539 976978....	4	.... NUT 1/4-20 HEX NYLOC
7..	574 892101....	2	.... HOSE, EXPANSION	20..	539 112899....	8	.... NUT 5/16-18 HEX FLG NYLOC
8..	574 811301....	2	.... TANK, EXPANSION	21..	539 990188....	8	.... WASHER 5/16 SAE FLT
9..	575 778202....	2	.... COVER, FAN	22..	539 990118....	2	.... WASHER 3/8 SPLT LK
10..	539 113466....	2	.... FILTER, HYDRO	23..	539 990187....	4	.... WASHER 5/16 SLW
11..	574 868501....	1	.... TUBE, SPACER	24..	539 990055....	4	.... WASHER 1/4 SAE FLT
12..	539 102587....	2	.... GROMMET, BUMPER	25..	539 990122....	2	.... WASHER 3/8 SAE FLT
13..	539 976988....	2	.... HAIRPIN COTTER				

# WHEELS

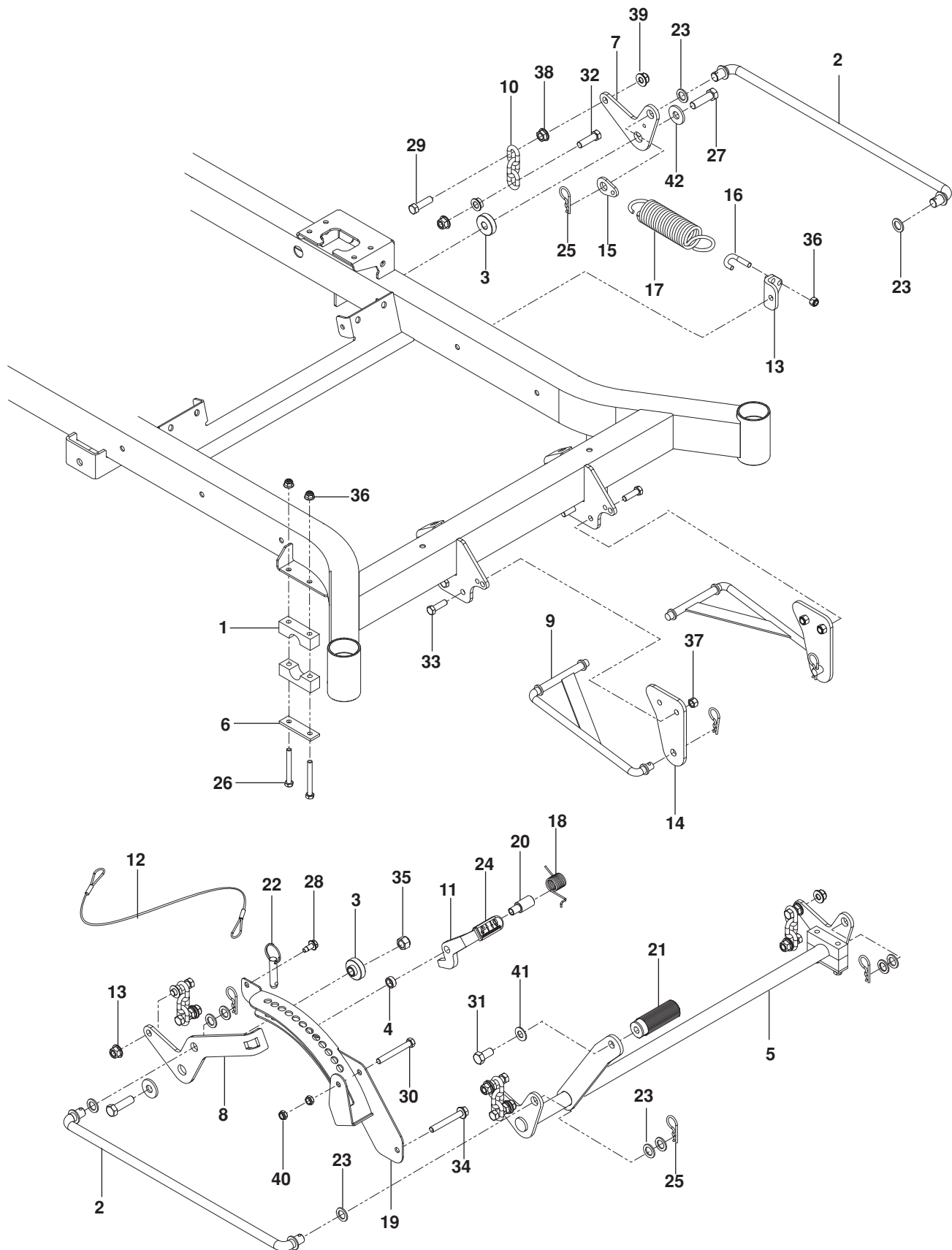


# WHEELS

---

ITEM	PART NO.	QTY.	DESCRIPTION	ITEM	PART NO.	QTY.	DESCRIPTION
1..	575 348701....	2	.... WHEEL ASSY 13 x 6.5	11..	580 747001....	2	.... WHEEL ASSY, 22 x 10-10
2..	575 622201....	2	.... TIRE, 13 x 5-6	12..	539 104571....	2	.... YOKE, CASTER, ORG
3..	575 622101....	2	.... RIM, CASTER TIRE	13..	539 102535....	2	.... CAP, GREASE
4..	539 105307....	4	.... BEARING 2½ CAGE	14..	539 102852....	2	.... SLOTTED JAM NUT 1"-14
5..	539 102484....	4	.... BEARING, FLANGE	15..	539 102889....	2	.... COTTER PIN 1/8 x 2
6..	539 102543....	4	.... BEARING	16..	539 102851....	2	.... SEAL
7..	539 912234....	2	.... AIR VALVE	17..	539 105517....	2	.... HCS ½-13 x 9½
8..	539 103300....	2	.... ZERK	18..	521 991101....	2	.... NUT ½-13 HEX FLG NYLOC
9..	539 101474....	2	.... ZERK	19..	539 101173....	8	.... NUT ½-20 LUG
10..	539 102856....	2	.... SPACER, CASTER	20..	539 109554....	2	.... WASHER ½ FLAT

# MOWER LIFT / DECK LIFT



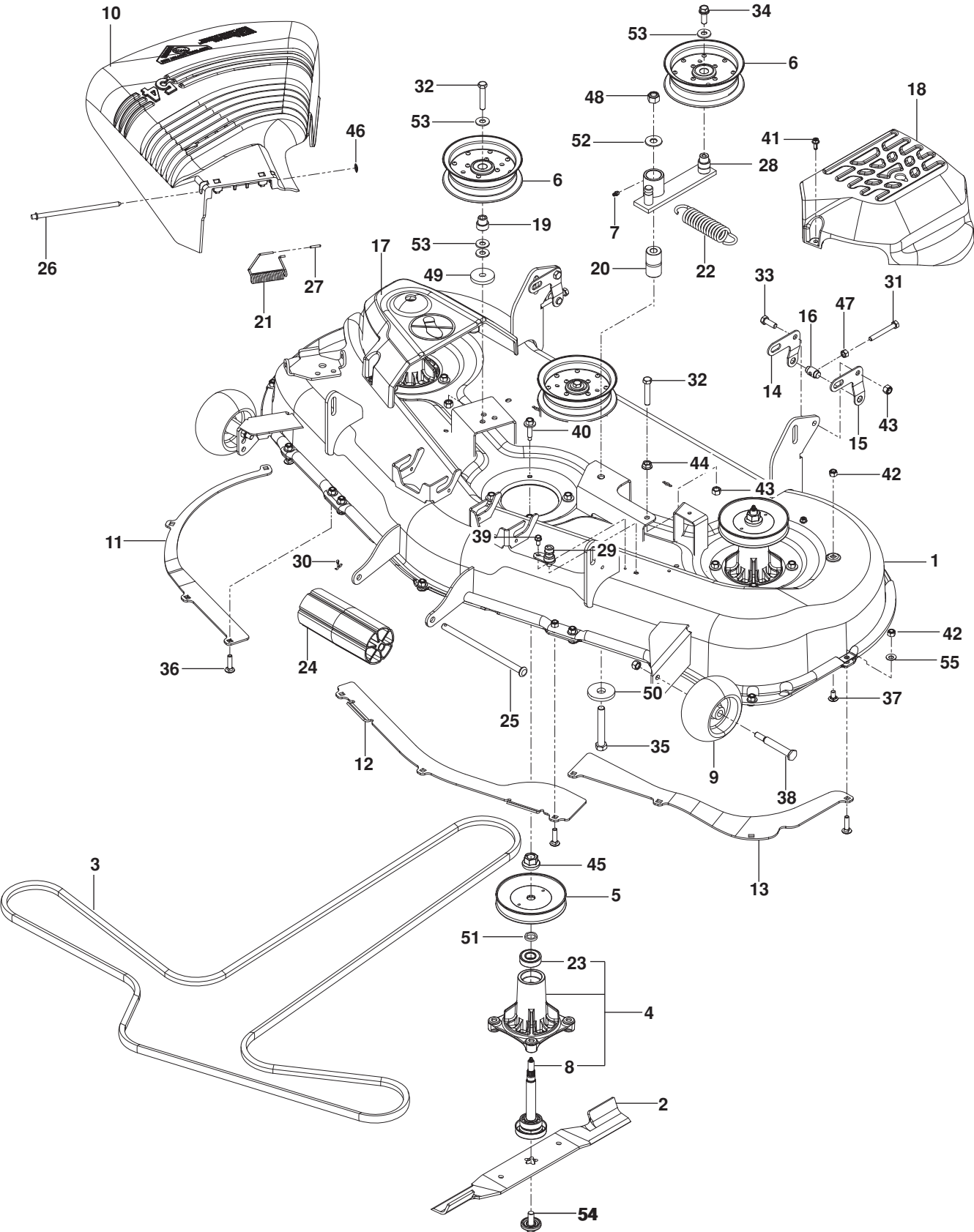


## MOWER LIFT / DECK LIFT

---

ITEM	PART NO.	QTY.	DESCRIPTION	ITEM	PART NO.	QTY.	DESCRIPTION
1..	539 104808....4	....	PILLOW BLOCK	22..	539 132182....1	....	PIN 1/2 x 1 1/2 DETENT RING
2..	539 110808....2	....	LINK, DECK LIFT	23..	539 991043..10	....	BUSHING .625
3..	539 118937....2	....	SPACER, IDLER	24..	539 132851....1	....	GRIP
4..	539 131861....1	....	SPACER	25..	539 115501....6	....	PIN, COTTER 1 3/4
5..	581 215202....1	....	SHAFT, FRONT LIFT BLK	26..	539 101721....4	....	HCS 5/16-18 x 2 3/4
6..	584 392702....2	....	REINFORCEMENT BAR	27..	539 108181....2	....	HCS 1/2-13 x 1 3/4 GR 8
7..	539 131897....1	....	BELLCRANK, LIFT BLK	28..	539 107475....1	....	BOLT 5/16-18 x 3/4 THD FRM
8..	539 131853....1	....	BELLCRANK, BLK	29..	539 101175....4	....	HCS 7/16-14 x 1 1/2
9..	539 112223....2	....	LINKAGE, STRUT	30..	874 780548....1	....	HCS 3/8-16 x 3
10..	539 109693....4	....	LIFT CHAIN-3 LINK	31..	539 990646....1	....	HCS 1/2-13 x 1 3/4
11..	539 131566....1	....	LATCH, TRANSPORT	32..	539 108073....4	....	HCS 7/16-14 x 1 3/4
12..	539 105059....1	....	LANYARD	33..	539 976941....4	....	HCS 3/8-16 X 1 1/4
13..	539 131791....1	....	MOUNT, SPRING	34..	539 131781....1	....	HHFS 3/8-16 x 2 3/4
14..	539 132017....2	....	MOUNT, STRUT	35..	539 101331....2	....	NUT 1/2 HEX NYLOC
15..	539 131792....1	....	TAB, SPRING	36..	539 112899....5	....	NUT 5/16-18 HEX FLG NYLOC
16..	539 112896....1	....	J-BOLT	37..	539 976979....4	....	NUT 3/8-16 HEX NYLOC
17..	539 102642....1	....	SPRING	38..	539 102582....8	....	NUT 7/16-14 HEX WHIZ LK
18..	539 132734....1	....	SPRING, TORSION	39..	539 132019....8	....	NUT 7/16-14 HEX WHIZ LK
19..	539 131850....1	....	HEIGHT ADJUST, DECK	40..	539 200282....2	....	NUT 3/8-16 HEX JAM NYLOC
20..	539 131860....1	....	PIVOT LATCH, TRANSPORT	41..	539 102843....1	....	WASHER 7/16 SPRING
21..	510 408301....1	....	PEDAL, FOOT	42..	539 109554....2	....	WASHER 1/2 FLT

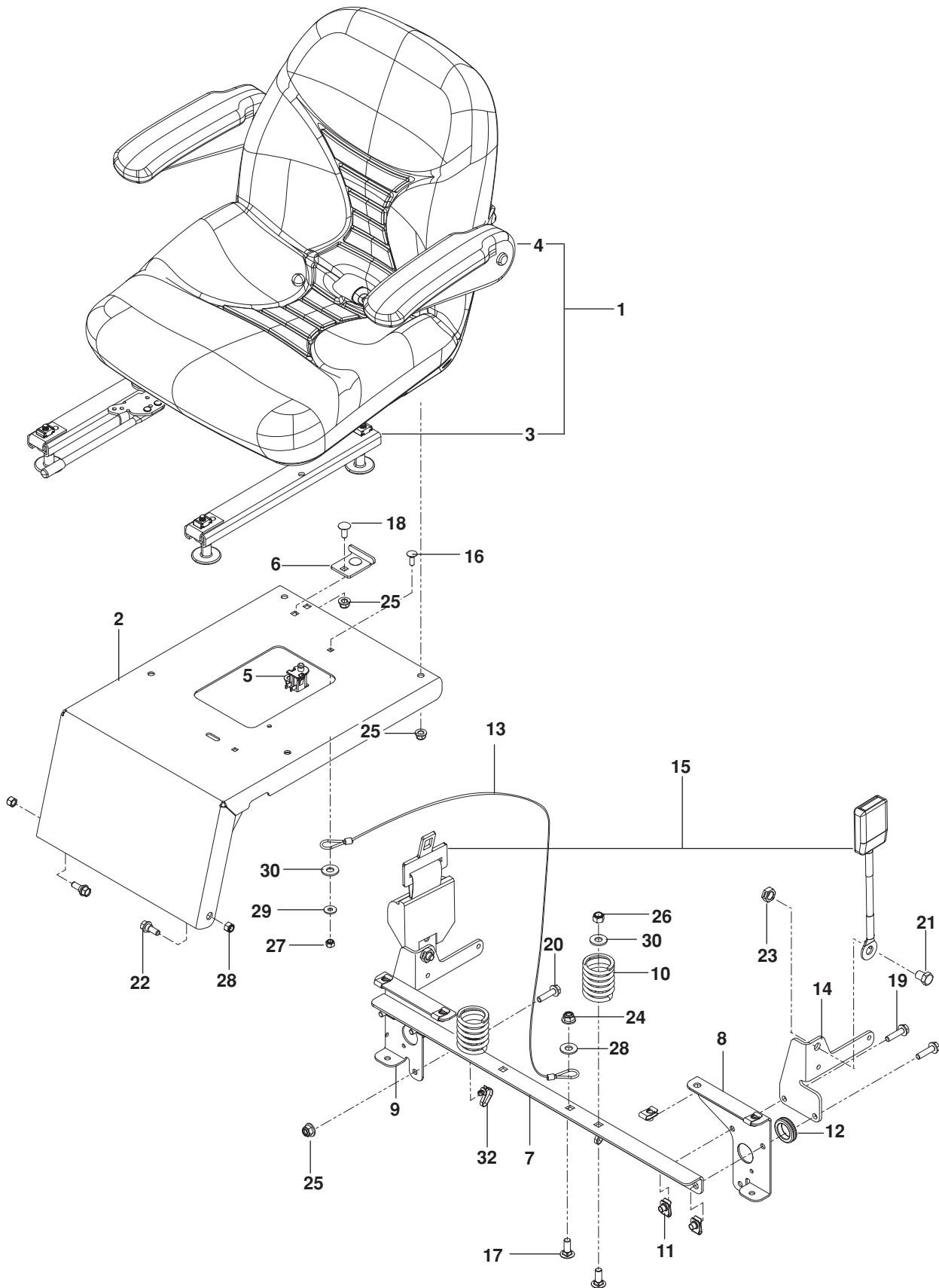
# MOWER DECK / CUTTING DECK



# MOWER DECK / CUTTING DECK

ITEM	PART NO.	QTY.	DESCRIPTION	ITEM	PART NO.	QTY.	DESCRIPTION
1..	577 200203....	1	.... DECK w/ SFTY DECALS ORG	29..	532 415598....	1	.... PORT, WASHOUT
2..	532 187256....	3	.... BLADE, 54"	30..	539 990365....	1	.... PIN 1/8 x 3/4 COTTER
3..	577 503601....	1	.... BELT	31..	577 923201....	2	.... HCS 5/16-18 x 3 TPBLT
4..	532 187292....	3	.... MANDREL ASSY	32..	539 990588....	3	.... HCS 3/8-16 x 2
5..	539 112171....	3	.... PULLEY	33..	874 780616....	2	.... HCS 3/8-16 x 1
6..	539 132728....	3	.... PULLEY, IDLER	34..	539 990582....	1	.... HCS 3/8-16 x 1 WHIZLK
7..	539 976998....	1	.... ZERK	35..	539 103433....	1	.... HCS 1/2-13 x 3 1/4
8..	532 187291....	1	.... SHAFT, MANDREL	36..	539 100472....	7	.... RHSNB 5/16-18 x 1 1/4
9..	532 133957....	2	.... WHEEL	37..	872 110505....	5	.... RHSNB 5/16-18 x 5/8
10..	539 112054....	1	.... DEFLECTOR	38..	539 107608....	2	.... BOLT, SHOULDER
11..	539 112059....	1	.... BAFFLE, RT	39..	817 490408....	1	.... BOLT 1/4-20 x 1/2 HWST
12..	539 112062....	1	.... BAFFLE, CNTR	40..	539 107630..	12	.... SCREW, WASHER HEAD
13..	539 112060....	1	.... BAFFLE, LT	41..	539 107631....	4	.... SCREW 1/4 -20 x 5/16 THDROLL
14..	539 131857....	2	.... PITCH, ADJUST, RT	42..	873 800500..	12	.... NUT 5/16-18 HEX NYLOC
15..	584 859404....	2	.... PITCH, ADJUST, LT	43..	539 976979....	7	.... NUT 3/8-16 HEX NYLOC
16..	539 131859....	2	.... TRUNION, PITCH	44..	873 400600....	1	.... NUT 3/8-16 HEX WHIZLK
17..	532 188187....	1	.... COVER, MANDREL RT	45..	539 107590....	3	.... NUT 9/16 TOP CENTER LOCK
18..	532 187297....	1	.... COVER, MANDREL LT	46..	532 110452....	1	.... PUSHNUT
19..	539 112076....	2	.... BUSHING, IDLER	47..	873 220500....	4	.... NUT 5/16-18 HEX
20..	539 103427....	1	.... BUSHING, PIVOT	48..	539 101331....	1	.... NUT 1/2 HEX NYLOC
21..	539 107609....	1	.... SPRING, TORSION	49..	539 106504....	2	.... WASHER, HEAVY
22..	539 103256....	1	.... SPRING	50..	539 102243....	1	.... WASHER, SUPPORT
23..	532 110485....	1	.... BEARING, BALL	51..	539 107520....	3	.... WASHER, SPACER
24..	532 176066....	1	.... ROLLER, NOSE	52..	539 990550....	1	.... WASHER 1/2 STD FLT
25..	539 107613....	1	.... ROD, ROLLER	53..	819 141914....	6	.... WASHER 3/8 FLAT STD
26..	539 110462....	1	.... ROD, HINGE	54..	532 193003....	3	.... WASHER/BOLT ASSY
27..	539 107627....	1	.... CAP, SLEEVE	55..	819 111116..	11	.... WASHER 11/32 16 GA
28..	539 112198....	1	.... ARM, IDLER				

# SEAT



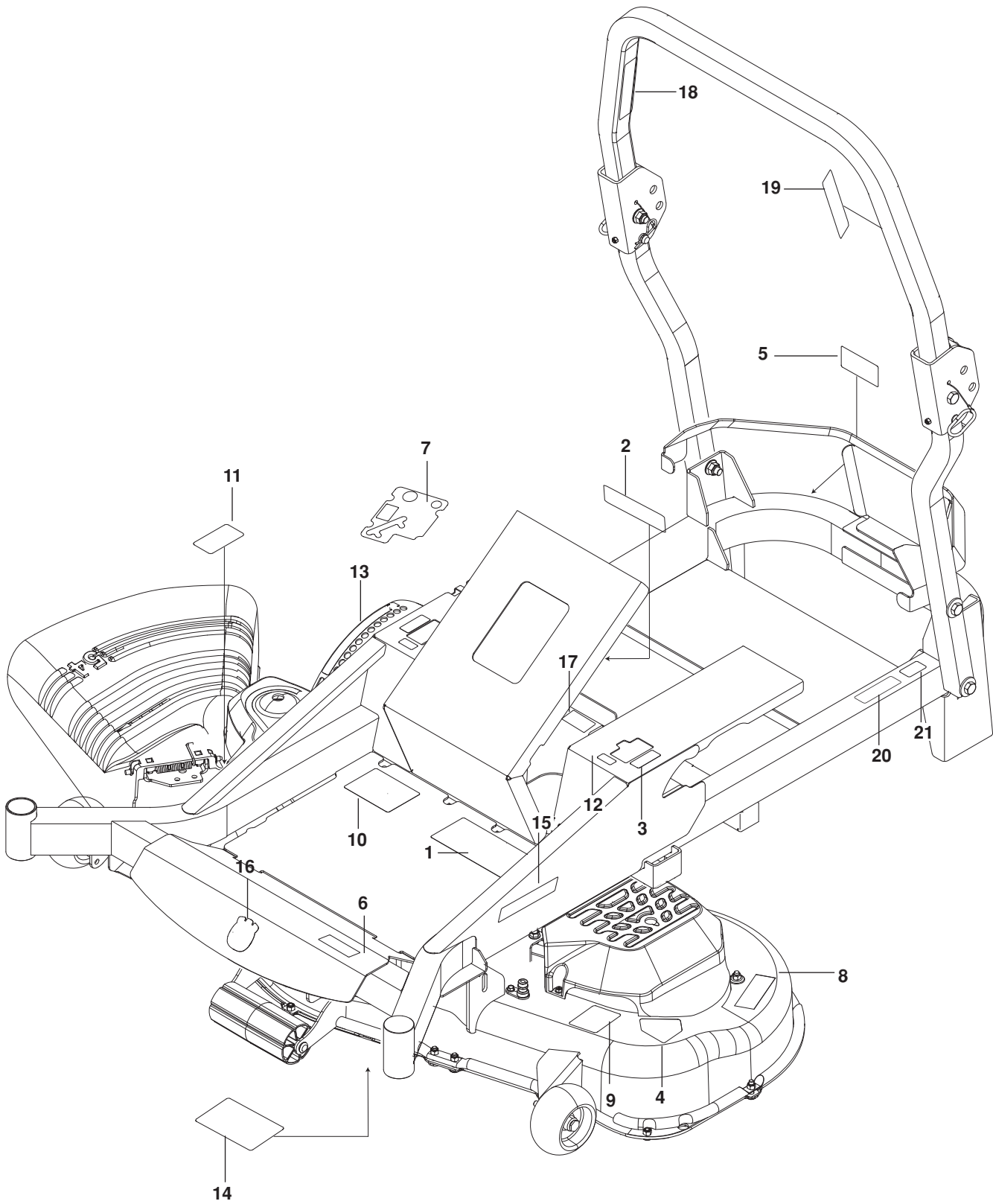
# SEAT

---

ITEM	PART NO.	QTY.	DESCRIPTION	ITEM	PART NO.	QTY.	DESCRIPTION
1..	539 130873....	1	.... SEAT ASSY	17..	539 990645....	3	.... RHSNB $\frac{3}{8}$ -16 x 1
2..	575 608601....	1	.... MOUNT, SEAT w/ DECAL	18..	539 109100....	2	.... RHSNB $\frac{5}{16}$ -18 x $\frac{3}{4}$
3..	539 112037....	1	.... RAIL SET, SEAT	19..	525 544001....	4	.... HHFS $\frac{5}{16}$ -18 x 1 $\frac{1}{4}$ TPBLT
4..	539 112036....	1	.... ARM REST, LT	20..	525 464701....	2	.... HHFS $\frac{5}{16}$ -18 x $\frac{3}{4}$
	539 112035....	1	.... ARM REST, RT	21..	539 112034....	2	.... HCS $\frac{7}{16}$ -20 x $\frac{3}{4}$
5..	532 421062....	1	.... SWITCH, SEAT	22..	539 130896....	2	.... BOLT $\frac{5}{16}$ -18 SHOULDER
6..	539 130793....	1	.... DECK STOP	23..	539 990394....	2	.... NUT HEX $\frac{7}{16}$ LOCK
7..	539 131656....	1	.... SUPPORT, SEAT	24..	521 996501....	1	.... NUT $\frac{3}{8}$ -16 HEX FLG NYLOC
8..	575 224102....	1	.... SUPPORT, LT	25..	539 112899....	8	.... NUT $\frac{5}{16}$ -18 HEX FLG NYLOC
9..	575 224002....	1	.... SUPPORT, RT	26..	539 976979....	2	.... NUT $\frac{3}{8}$ -16 HEX NYLOC
10..	539 110300....	2	.... SPRING, SEAT	27..	539 976978....	1	.... NUT $\frac{1}{4}$ -20 HEX NYLOC
11..	539 104763....	8	.... RETAINER, U TYPE	28..	539 990717....	2	.... NUT $\frac{5}{16}$ -18 HEX NYLOC
12..	539 105974....	1	.... GROMMET RUBBER	29..	539 990598....	1	.... WASHER $\frac{1}{4}$ FLAT
13..	539 103247....	1	.... LANYARD, SEAT	30..	539 990517....	4	.... WASHER $\frac{3}{8}$ FLAT STD
14..	575 017402....	2	.... MOUNT, SEAT BELT				
15..	539 130359....	1	.... SEAT BELT ASSY				
16..	539 990074....	1	.... RHSNB $\frac{1}{4}$ -40 x $\frac{3}{4}$				

# DECALS

---



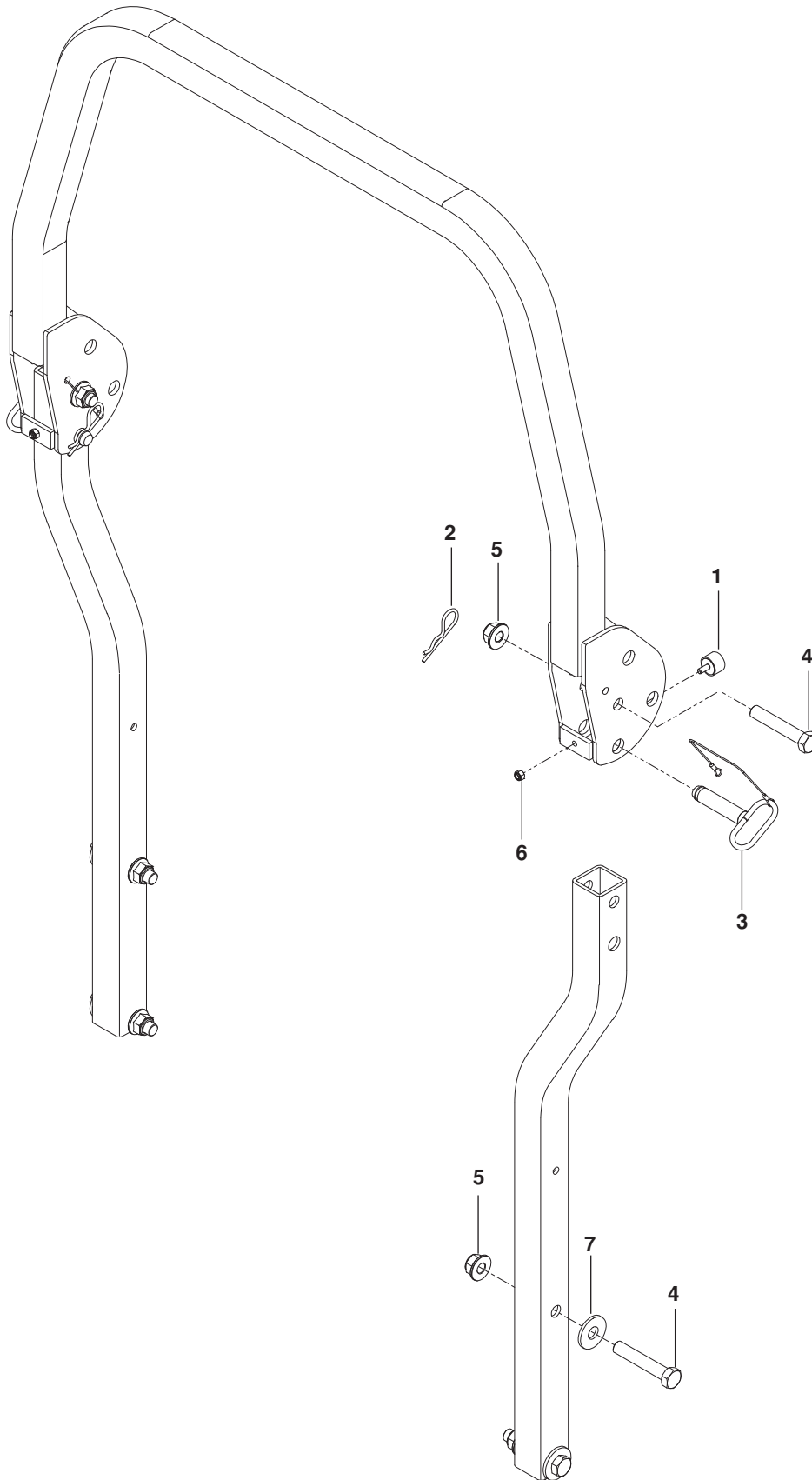
# DECALS

---

ITEM	PART NO.	QTY.	DESCRIPTION	ITEM	PART NO.	QTY.	DESCRIPTION
1..	539 107959....	1 ....	DECAL, WARNINGS	12..	539 110974....	2 ....	DECAL, TRACKING
2..	539 105745....	1 ....	DECAL, BATTERY WARNING	13..	539 132039....	1 ....	DECAL, HEIGHT ADJUST
3..	539 103333....	2 ....	DECAL, MOTION CONTROL	14..	539 132187....	1 ....	DECAL, SERVICE
4..	539 913010....	1 ....	DECAL, BLADE WARNING	15..	532 429196....	2 ....	DECAL, HUSQVARNA
5..	539 105744....	1 ....	DECAL, DANGER BLT DRIVE	16..	532 428676....	2 ....	DECAL, CROWN H
6..	521 988005....	1 ....	DECAL, MZ5424S	17..	574 815503....	1 ....	DECAL, HYDROGEAR
7..	574 841103....	1 ....	DECAL, CONSOLE	18..	574 569002....	1 ....	DECAL, ROPS, WARNING
8..	539 105746....	1 ....	DECAL, SEVERING	19..	574 569005....	1 ....	DECAL, ROPS
9..	539 112620....	1 ....	DECAL, BELT ROUTING	20..	532 424102....	1 ....	DECAL, SPARK ARRESTOR
10..	539 113213....	1 ....	DECAL, WARNING	21..	539 101881....	1 ....	DECAL, EXHAUST WARNING
11..	581 724401....	1 ....	DECAL, DEFLECTOR				

# PROTECTION FRAME

---





# PROTECTION FRAME

---

ITEM	PART NO.	QTY.	DESCRIPTION	ITEM	PART NO.	QTY.	DESCRIPTION
1..	522 801401....2	....	BUMPER, MALE STUD 1/4-20	5..	525 829101....6	....	NUT 5/8-11 FLG NYLOC
2..	539 200715....2	....	HAIR PIN	6..	539 976978....2	....	NUT 1/4-20 HEX NYLOC
3..	574 388001....2	....	PIN, ROPS	7..	539 102653....4	....	WASHER 5/8 STD FLAT
4..	580 754601....6	....	HCS 5/8-11 x 3 1/2				