

Chisel-Attachment-Kit - 2 607 018 297 - MV 200

www.powertools-aftersaleservice.com



BOSCH

Item	Part Number	Description	Illustration	Price	Quantity	Price Group
1	3 615 102 007	Housing	1	-,-	1	40
7	1 610 508 008	Protective Cap L=17 MM, SDS-PLUS	1	-,-	1	12
8	1 903 230 013	Ball DIN 5401-Ø7MM-III-ST	1	-,-	1	10
10	1 611 110 250	Manufacturer's nameplate	1	-,-	1	11
11	2 915 011 007	Hex Nut DIN 934-M6-8-A	1	-,-	1	10
12	3 613 480 001	Wing Screw	1	-,-	1	13
701	1 618 600 009	Pointed Chisel L=200 SDS-PLUS	1	-,-	1	-
702	1 618 600 010	Cold Chisel L=200, B=20 MM SDS-PLUS	1	-,-	1	-
703	1 618 601 002	Spade-Shaped Chisel L=200, B=40 MM SDS-PLUS	1	-,-	1	-
704	1 618 601 004	Gouge L=200, B=22 MM SDS-PLUS	1	-,-	1	-
802	3 617 031 025	Parts Set	1	-,-	1	26
806	1 617 000 163	Protection Sleeve SDS-PLUS	1	-,-	1	20

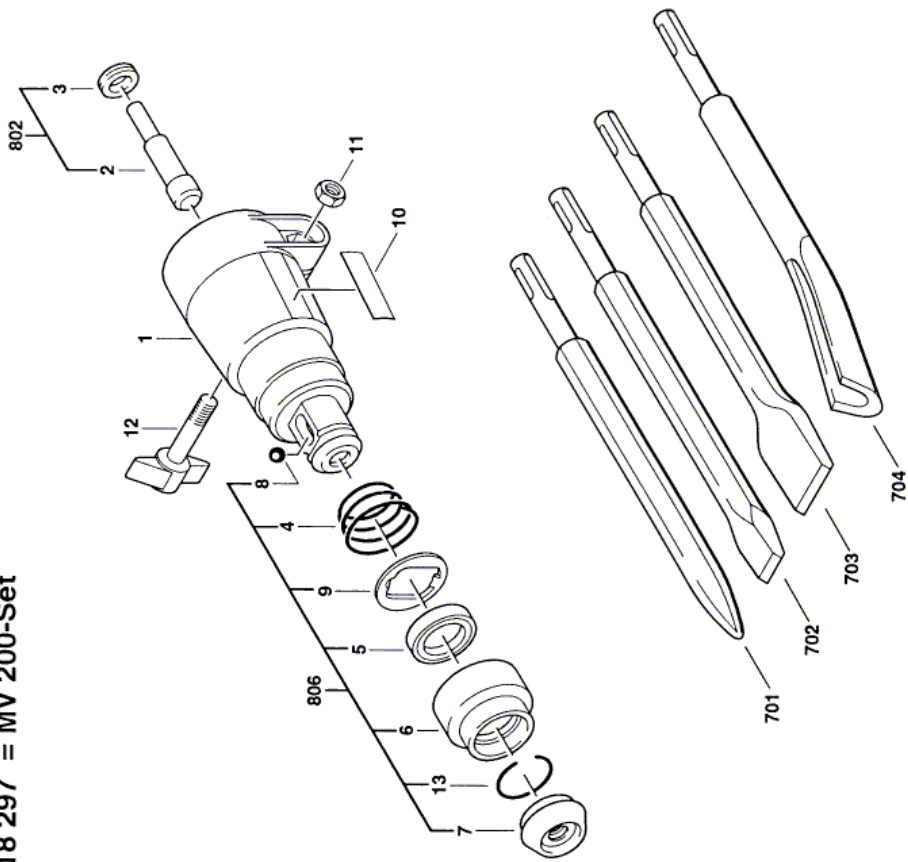
Product information Chisel-Attachment-Kit - 2 607 018 297 - MV 200

Product No	2 607 018 297
Description	246.867; Chisel-Attachment-Kit
DIN-Text	
ID_Text_Ext	0
Trading_Description	MV 200
Voltage_1	0 V
ID_Country_Product	---

Illustration - Type E

Typ 2 607 018 296 = MV 200
2 607 018 297 = MV 200-Set

Stand } 93 - 11
Issue }



Änderungen vorbehalten
Modifications reserved
Modificacions reservées
Salvo modificaciones
Robert Bosch GmbH
Geschäftsbereich Elektrowerkzeuge
D 70745 Leinfelden-Echterdingen

Information subject to change without further notice.