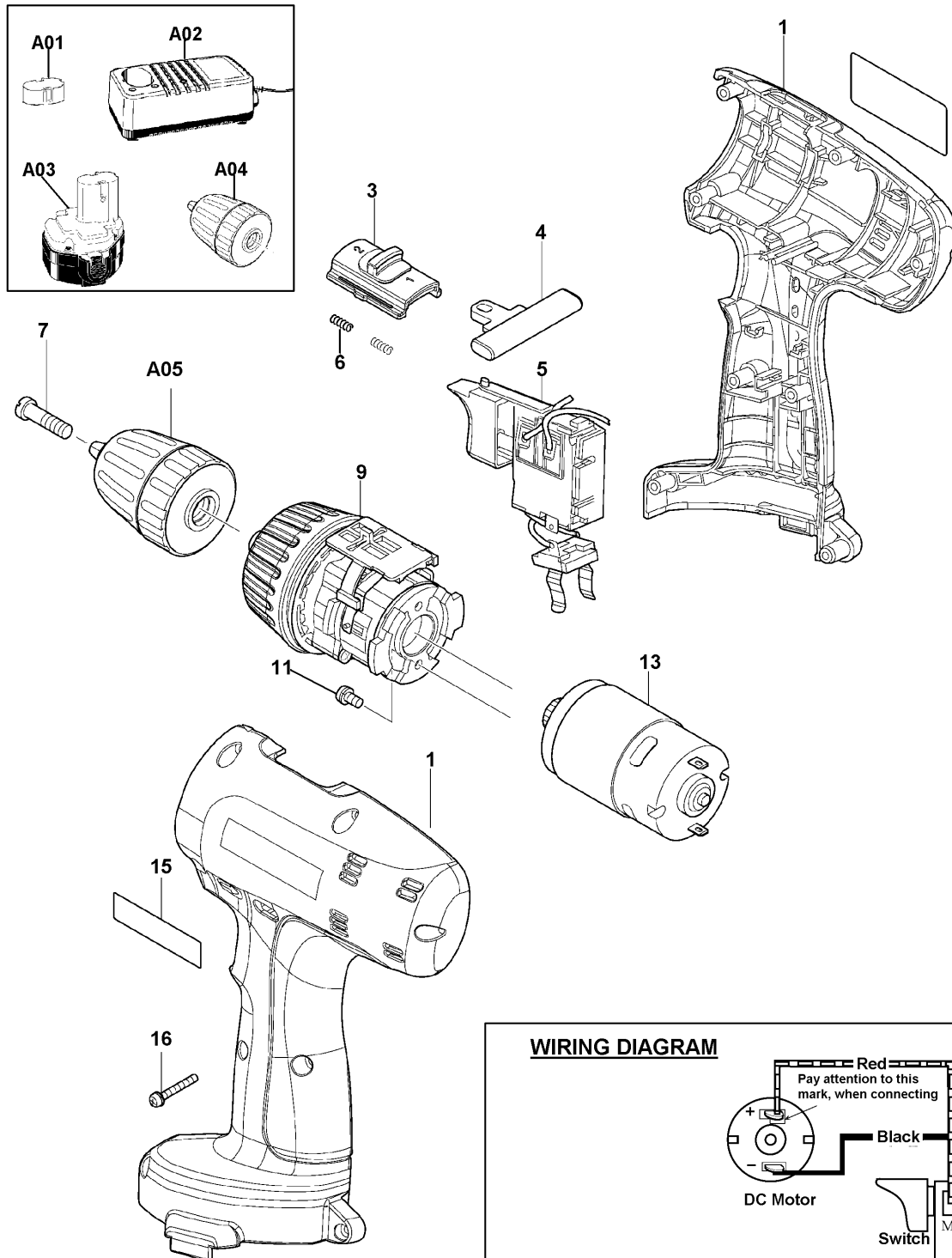


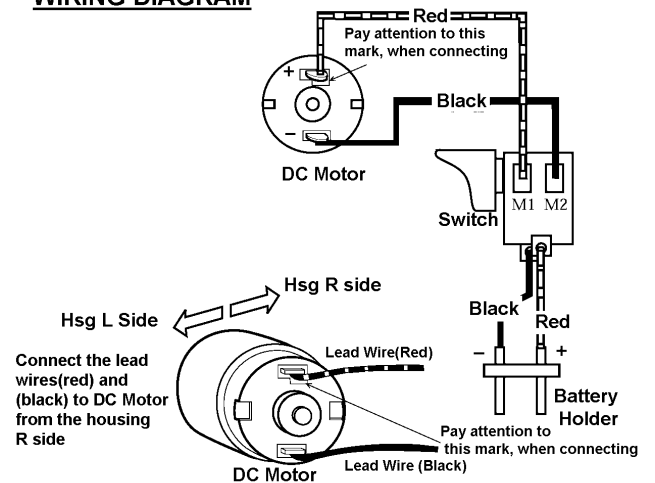
# maktec<sup>®</sup> 14.4V 3/8" 2-VAR SPEED DRILL KIT

by *Makita*

Model MT064SK2(MKC)



## WIRING DIAGRAM



08-2004

Item No.	Part No.	No. Used	Description
1	183813-5	1	Housing Set (Includes Item 15)
3	418166-6	1	Speed Change Lever
4	417980-7	1	Change Lever
5	650531-5	1	Switch
6	233352-6	2	Compression Spring 4
7	251468-5	1	(-) Flat Head Screw M6X22
9	125208-6	1	Gear Assy
11	265126-7	2	P.H. Screw M4X8
13	629805-5	1	DC Motor
15	819126-5	1	MAKTEC Logo Label
16	265109-7	8	P. H. Screw M3X22

#### **Accessories**

A01	417922-1	1	Battery Cover
A02	DC1850	1	Charger DC1850 For 9.6V ~ 18V Batteries (1.3Ah)
A03	193970-1	1	14.4V NI-Cad Battery 1450 (1.3Ah)
A04	763181-8	1	3/8" Keyless Drill Chuck
A05	183818-5	1	Plastic Carrying Case (Includes A06 & 819159-0 - MAKTEC Logo Label)(Photo not Available)
A06	182935-8	1	Slide Latch (R & L) Set

#### **NOTE:**

MAKTEC Batteries **will not** be charged by MAKITA Series Chargers

MAKITA Batteries **can be** charged with MAKTEC Series Chargers